

LIGHT-PIPE ASSEMBLY
SHOWN ASSEMBLED TO
IPASS CONNECTOR
(SEE NOTE 3)

NOTES :

1. MATERIALS:

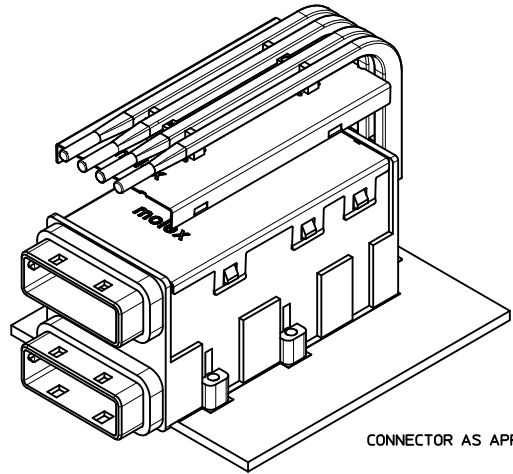
LIGHT PIPES: POLYCARBONATE, CLEAR.

MOUNTING BRACKET: STAINLESS STEEL ALLOY.

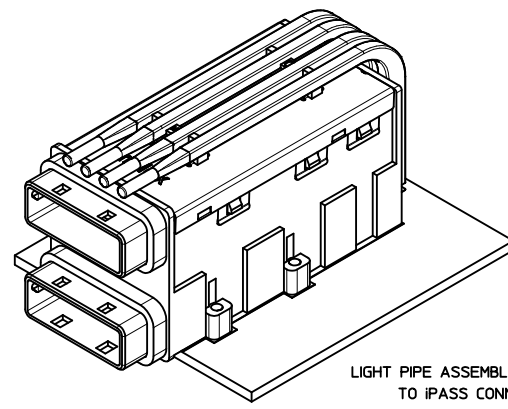
2. LIGHT PIPE ASSEMBLY #170416-0101 IS ATTACHED TO THE COVER OF CONNECTOR ASSEMBLIES 75758-0101 THRU 75758-0111 BY THE CUSTOMER.

3. IPASS CONNECTOR ASSEMBLIES 75758-0101 THRU 75758-0111 ARE SOLD SEPARATELY AND SHOWN FOR REFERENCE ONLY. SEE SALES DRAWING: SD-75758-010.

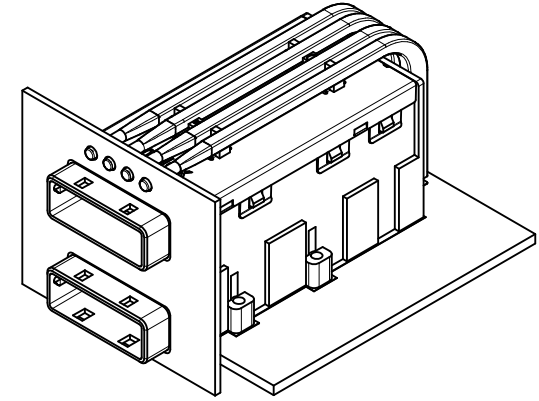
RELEASED EIC NO: UCP2012-1063 DRAWN BY: SBGJEL CHKD: MBANAKIS APPR: MBANAKIS DATE: 2011/09/19 DATE: 2011/10/20	QUALITY SYMBOLS	GENERAL TOLERANCES (UNLESS SPECIFIED)	DIMENSION STYLE	SCALE	DESIGN UNITS	THIRD ANGLE PROJECTION
	▽=0	4 PLACES ±0.15	MM ONLY	2:1	METRIC	ASSEMBLY, LIGHT PIPE FOR IPASS 26X26 STACKED 2X1
	▽=0	3 PLACES ±0.13				MOLEX INCORPORATED
	▽=0	2 PLACES ±0.25				SD-170416-0101
		ANGULAR ±1/2°				
		DRAFT WHERE APPLICABLE MUST REMAIN WITHIN DIMENSIONS				
			SIZE D			



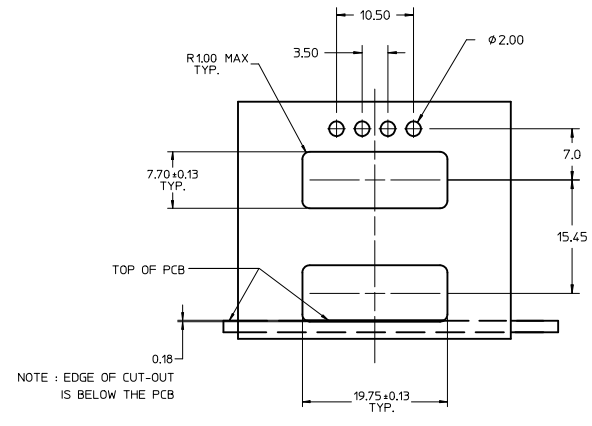
CONNECTOR AS APPLIED TO PCB



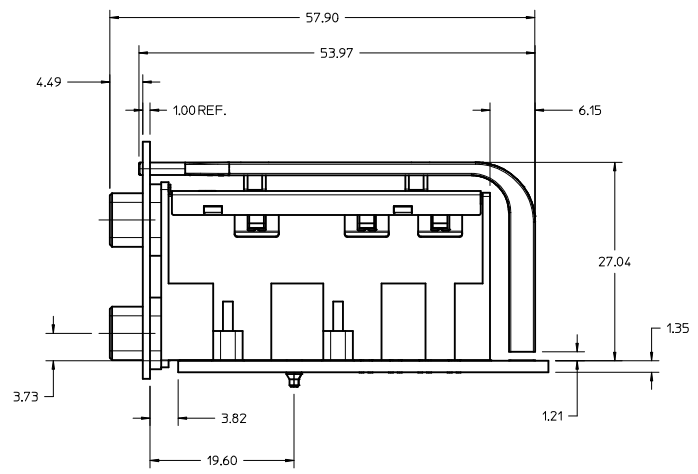
LIGHT PIPE ASSEMBLY AS APPLIED TO iPASS CONNECTOR



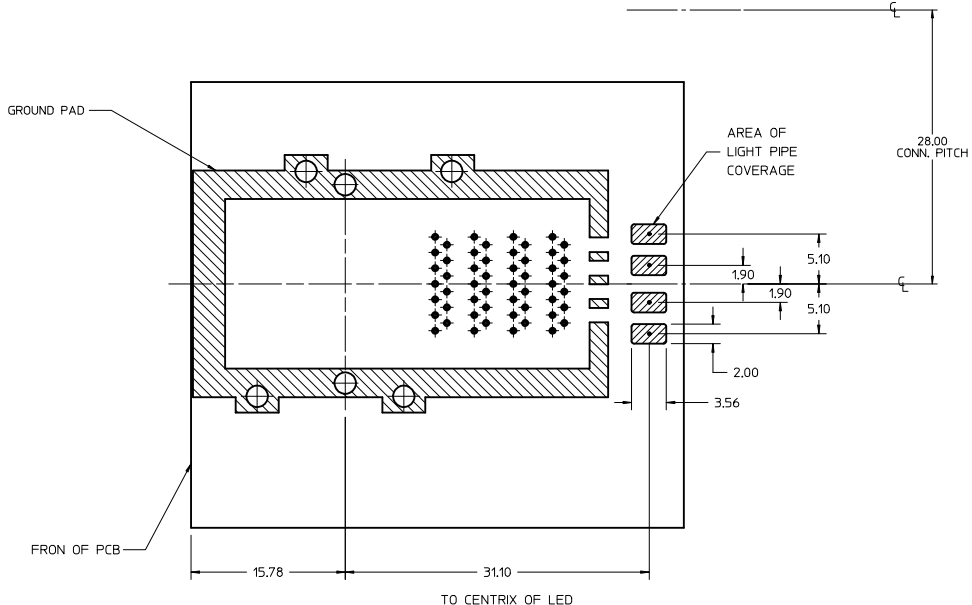
CONNECTOR ASSEMBLY FULLY ASSEMBLED AS INSTALLED IN PANEL



RECOMMENDED MOUNTING PANEL CUT-OUT (SUPPLIED BY CUSTOMER)



SEE SHEET 1 IEC NO: UCP2012-063 DRAWN: SBGIEL CHKD: MBANKIS APPR: MBANKIS DATE: 2011/09/19 DATE: 2011/10/20	QUALITY SYMBOLS	GENERAL TOLERANCES (UNLESS SPECIFIED)	DIMENSION STYLE	SCALE	DESIGN UNITS	THIRD ANGLE PROJECTION
	▽=0 ▽=0	mm INCH 4 PLACES ± --- ± --- 3 PLACES ± --- ± --- 2 PLACES ± 0.13 ± --- 1 PLACE ± 0.25 ± --- ANGULAR ± 1/2°	MM ONLY	3:1	METRIC	▽ ▽
	DRAFT WHERE APPLICABLE MUST REMAIN WITHIN DIMENSIONS	DRAWN BY DATE SBGIEL 2011/09/19 CHECKED BY DATE MBANKIS 2011/10/20 APPROVED BY DATE MBANKIS 2011/10/20	TITLE	ASSEMBLY, LIGHT PIPE FOR IPASS 26X26 STACKED 2X1		
		MATERIAL NO. 75758-010* DOCUMENT NO. SD-170416-0101	MOLEX INCORPORATED	SHEET NO. 2 OF 3		

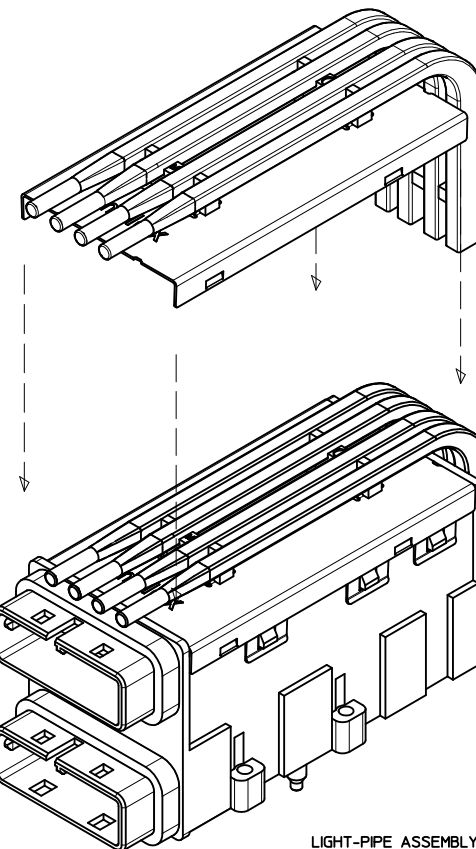
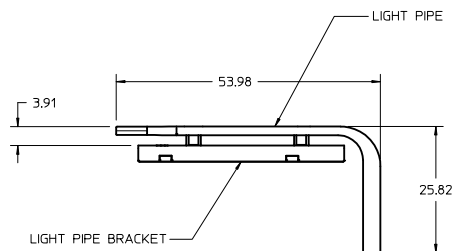
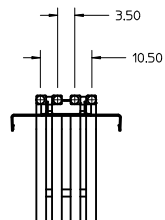
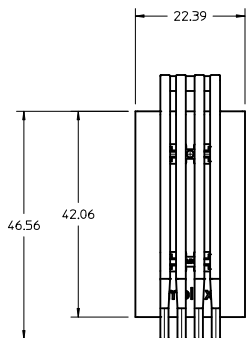


RECOMMENDED PCB LAYOUT

THICKNESS = 1.35mm MIN.

NOTE:
 1. DIMENSIONS SHOWN ARE FOR LED PLACEMENT ONLY.
 SEE SALES DRAWING SD-75758-010 FOR DETAILED
 PCB LAYOUT AND SPECIFICATIONS.

SEE SHEET 1 IEC NO: UCP2012-1063 DRAWN: SBOGIEL CHKD: APPROVED: MBANKIS DATE: 2011/09/19 DATE: 2011/10/20	QUALITY SYMBOLS	GENERAL TOLERANCES (UNLESS SPECIFIED)	DIMENSION STYLE	SCALE	DESIGN UNITS	THIRD ANGLE PROJECTION
	▽=0 ▽=0	mm INCH 4 PLACES ±.10 ±.004 3 PLACES ±.13 ±.005 2 PLACES ±.25 ±.010 1 PLACE ±.25 ±.010 ANGULAR ±1/2°	MM ONLY DRAWN BY: SBOGIEL DATE: 2011/09/19 CHECKED BY: DATE:	2:1	METRIC	ASSEMBLY, LIGHT PIPE FOR IPASS 26X26 STACKED 2X1 MOLEX INCORPORATED
	DRAFT WHERE APPLICABLE MUST REMAIN WITHIN DIMENSIONS	MATERIAL NO. 75758-010* DOCUMENT NO. SD-170416-0101	APPROVED BY: MBANKIS DATE: 2011/10/20 DATE:			SHEET NO. 3 OF 3
			THIS DRAWING CONTAINS INFORMATION THAT IS PROPRIETARY TO MOLEX INCORPORATED AND SHOULD NOT BE USED WITHOUT WRITTEN PERMISSION			



LIGHT-PIPE ASSEMBLY
SHOWN ASSEMBLED TO
IPASS CONNECTOR
(SEE NOTE 3)

NOTES :

1. MATERIALS:

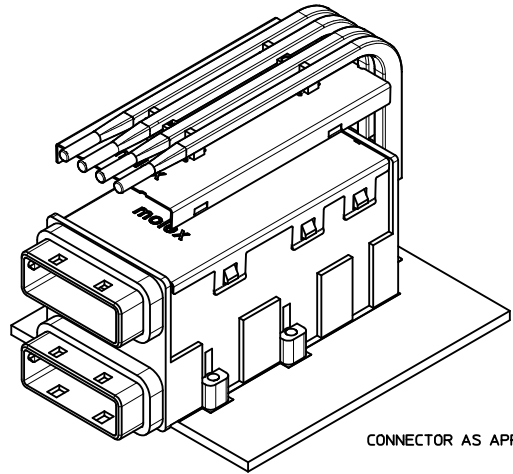
LIGHT PIPES: POLYCARBONATE, CLEAR.

MOUNTING BRACKET: STAINLESS STEEL ALLOY.

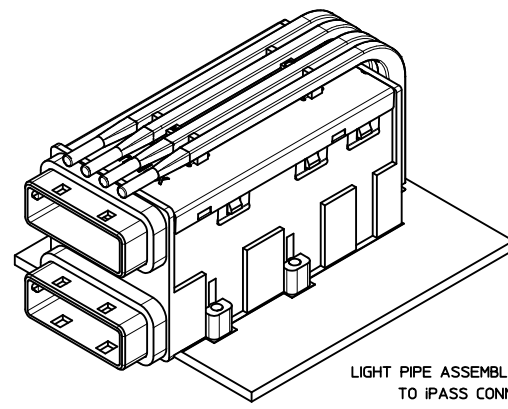
2. LIGHT PIPE ASSEMBLY #170416-0101 IS ATTACHED TO THE COVER OF CONNECTOR ASSEMBLIES 75758-0101 THRU 75758-0111 BY THE CUSTOMER.

3. IPASS CONNECTOR ASSEMBLIES 75758-0101 THRU 75758-0111 ARE SOLD SEPARATELY AND SHOWN FOR REFERENCE ONLY. SEE SALES DRAWING: SD-75758-010.

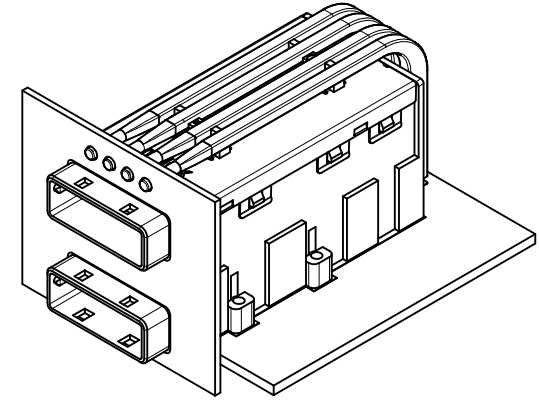
RELEASED EIC NO: UCP2012-1063 DRAWN BY: SBGJEL CHKD: MBANAKIS APPR: MBANAKIS DATE: 2011/09/19 DATE: 2011/10/20	QUALITY SYMBOLS	GENERAL TOLERANCES (UNLESS SPECIFIED)	DIMENSION STYLE	SCALE	DESIGN UNITS	THIRD ANGLE PROJECTION
	▽=0	4 PLACES ± 0.15	MM ONLY	2:1	METRIC	ASSEMBLY, LIGHT PIPE FOR IPASS 26X26 STACKED 2X1
	▽=0	3 PLACES ± 0.13				MOLEX INCORPORATED
	▽=0	2 PLACES ± 0.25				SD-170416-0101
		ANGULAR ±1/2°				
		DRAFT WHERE APPLICABLE MUST REMAIN WITHIN DIMENSIONS				
			SIZE D			



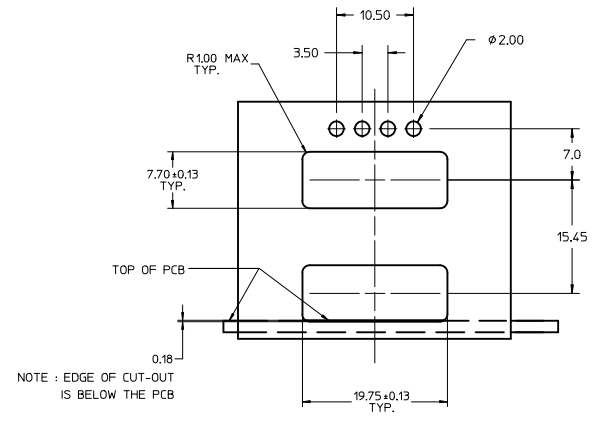
CONNECTOR AS APPLIED TO PCB



LIGHT PIPE ASSEMBLY AS APPLIED TO iPASS CONNECTOR

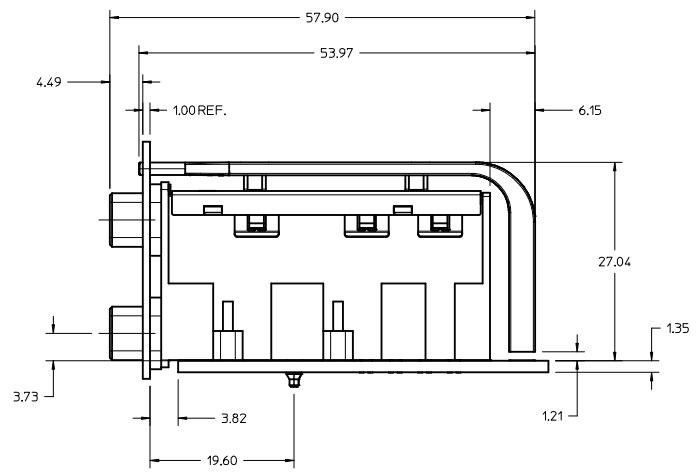


CONNECTOR ASSEMBLY FULLY ASSEMBLED AS INSTALLED IN PANEL

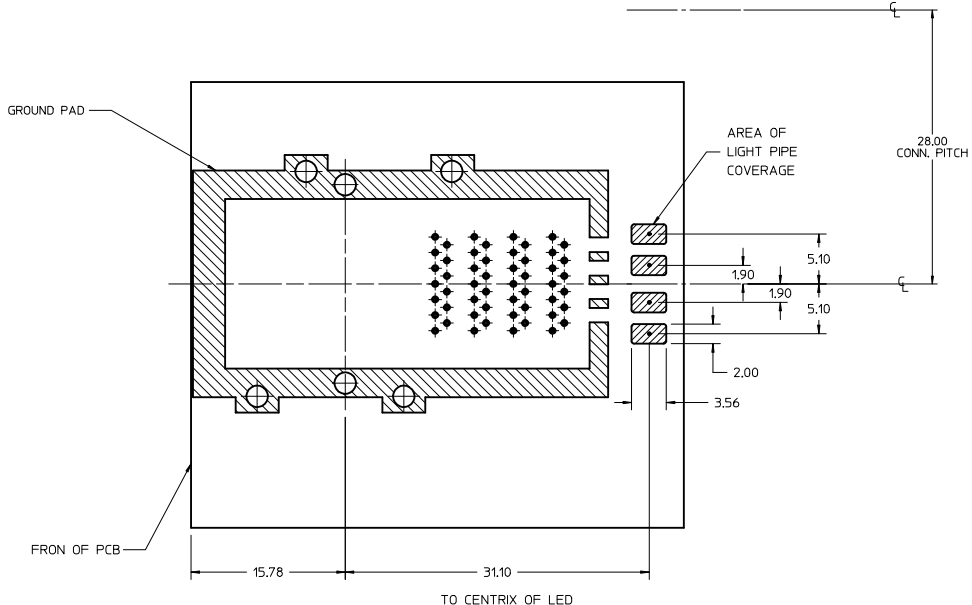


RECOMMENDED MOUNTING PANEL CUT-OUT (SUPPLIED BY CUSTOMER)

MAXIMUM THICKNESS 1.50mm



SEE SHEET 1 IEC NO: UCP2012-063 DRAWN: SBGIEL CHKD: MBANKIS APPR: MBANKIS DATE: 2011/09/19 DATE: 2011/10/20	QUALITY SYMBOLS	GENERAL TOLERANCES (UNLESS SPECIFIED)	DIMENSION STYLE	SCALE	DESIGN UNITS	THIRD ANGLE PROJECTION
	▽=0 ▽=0	mm INCH 4 PLACES ± --- ± --- 3 PLACES ± --- ± --- 2 PLACES ± 0.13 ± --- 1 PLACE ± 0.25 ± --- ANGULAR ± 1/2°	MM ONLY	3:1	METRIC	
		DRAFT WHERE APPLICABLE MUST REMAIN WITHIN DIMENSIONS	DRAWN BY	DATE	TITLE	
			SBGIEL	2011/09/19	ASSEMBLY, LIGHT PIPE FOR IPASS 26X26 STACKED 2X1	
			CHECKED BY	DATE	MOLEX INCORPORATED	
			APPROVED BY	DATE	MOLEX INCORPORATED	
			MBANKIS	2011/10/20	MOLEX INCORPORATED	
			MATERIAL NO.	DOCUMENT NO.	SHEET NO.	
			75758-010*	SD-170416-0101	2 OF 3	
			THIS DRAWING CONTAINS INFORMATION THAT IS PROPRIETARY TO MOLEX INCORPORATED AND SHOULD NOT BE USED WITHOUT WRITTEN PERMISSION			



RECOMMENDED PCB LAYOUT

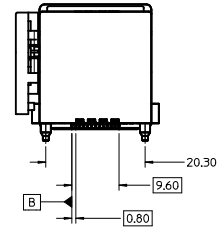
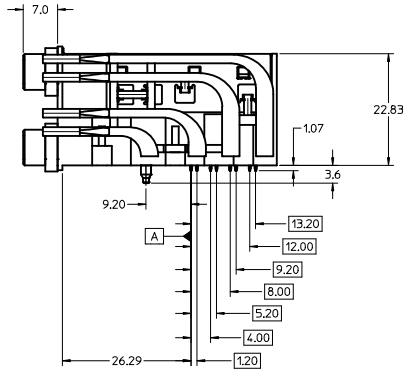
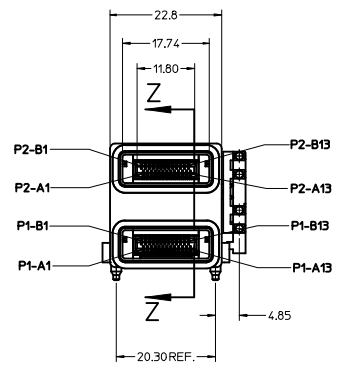
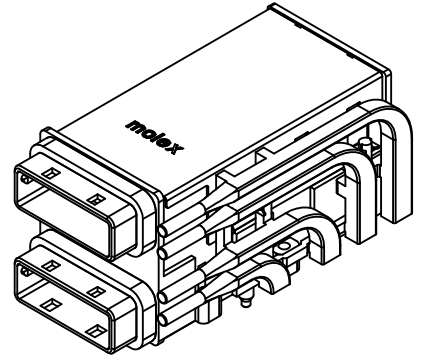
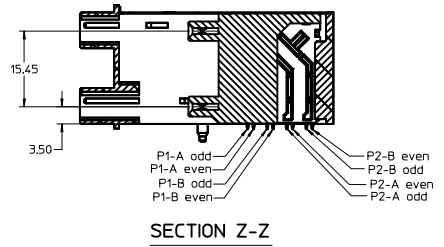
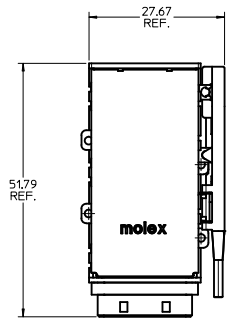
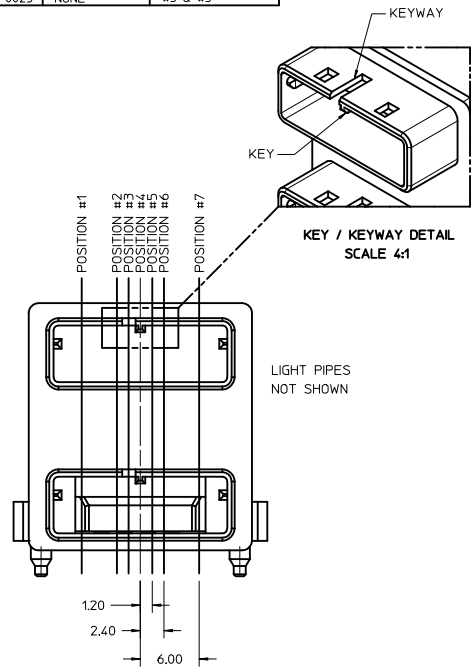
THICKNESS = 1.35mm MIN.

NOTE:
 1. DIMENSIONS SHOWN ARE FOR LED PLACEMENT ONLY.
 SEE SALES DRAWING SD-75758-010 FOR DETAILED
 PCB LAYOUT AND SPECIFICATIONS.

SEE SHEET 1 IEC NO: UCP2012-1063 DRAWN: SBOGIEL CHKD: MBANKIS APPR: MBANKIS DATE: 2011/09/19 DATE: 2011/10/20	QUALITY SYMBOLS ▽=0 ▽=0	GENERAL TOLERANCES (UNLESS SPECIFIED) mm INCH 4 PLACES ±.10 ±.004 3 PLACES ±.15 ±.006 2 PLACES ±.25 ±.010 1 PLACE ±.50 ±.020 ANGULAR ±1/2°	DIMENSION STYLE MM ONLY	SCALE 2:1	DESIGN UNITS METRIC	THIRD ANGLE PROJECTION
	DRAWN BY SBOGIEL	DATE 2011/09/19	TITLE ASSEMBLY, LIGHT PIPE FOR IPASS 26X26 STACKED 2X1			
	CHECKED BY MBANKIS	DATE 2011/10/20	MOLEX INCORPORATED			
	APPROVED BY MBANKIS	DATE 2011/10/20	MATERIAL NO. 75758-010*	DOCUMENT NO. SD-170416-0101	SHEET NO. 3 OF 3	

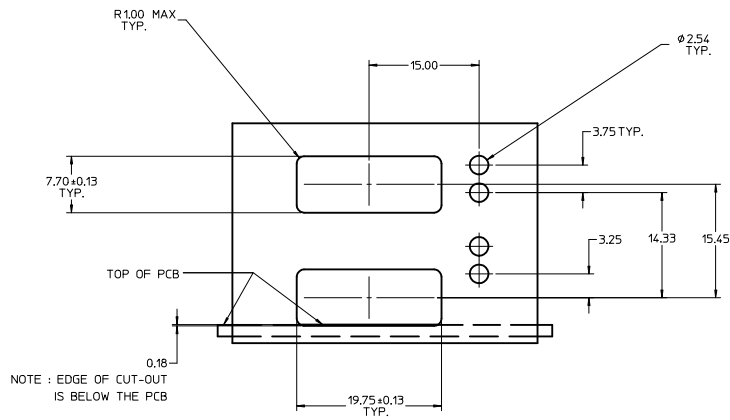
THIS DRAWING CONTAINS INFORMATION THAT IS PROPRIETARY TO MOLEX INCORPORATED AND SHOULD NOT BE USED WITHOUT WRITTEN PERMISSION

KEY/KEYWAY OPTIONS			
PART NUMBER	KEY POSITION	KEYWAY POSITION	
TIN/LEAD	LEAD-FREE		
75758-0001	75758-0021	NONE	NONE
75758-0002	75758-0022	#3	NONE
75758-0003	75758-0023	#4	NONE
75758-0004	75758-0024	#4	#3 & #5
75758-0005	75758-0025	NONE	#3 & #5



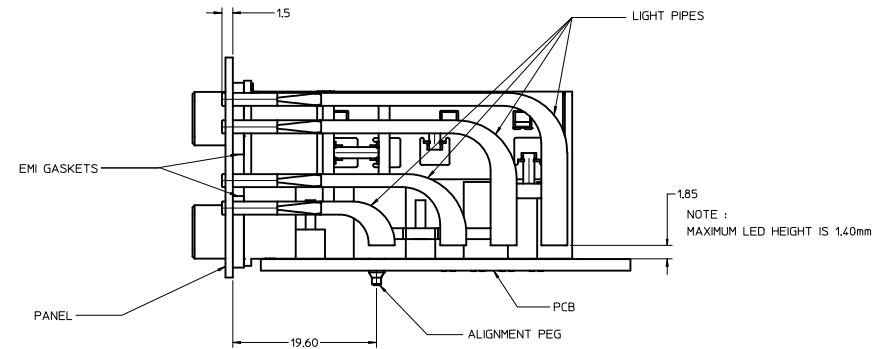
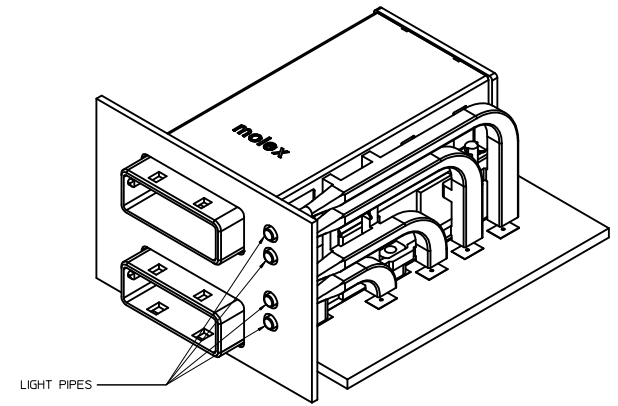
- NOTES :
- MATERIALS :
CONNECTOR HOUSING - HIGH TEMP THERMOPLASTIC,
GLASS-FILLED, UL94V-0,
COLOR - BLACK
EMI HOUSING - DIE CAST ALLOY, NICKEL PLATED FINISH
COVER - STAINLESS STEEL ALLOY
CPI TERMINALS - COPPER ALLOY
EMI GASKETS - CONDUCTIVE POLYMER
LIGHT PIPE - CLEAR THERMOPLASTIC, UL94V-0
 - TERMINAL PLATING :
CONTACT AREA - 0.76µ MIN GOLD OVER 2.54µ MIN NICKEL.
COMPLIANT AREA - 0.76-1.52µ TIN/LEAD (90/10) OVER
2.54µ MIN NICKEL.
 - PACKAGING SPECIFICATION : TRAY PACK IN BOX.
 - REFER TO PS-75586-001 PRODUCT SPEC FOR ALL ELECTRICAL, MECHANICAL AND ENVIRONMENTAL SPECIFICATIONS.
 - THIS CONNECTOR IS DESIGNED TO MATE WITH MOLEX CABLE SERIES 74548.
 - REQUIRES MOUNTING HARDWARE : (4) M2 X 8MM CAP SCREWS OR EQUIV.
MAX. TORQUE 2.3 in/lbs.

ADD LEAD-FREE # EC NO. UCP2012-1003 DRWNS:SRIGIEL CHKD: APPR:RBANKIS REV DESCRIPTION 2011/10/20	QUALITY SYMBOLS	GENERAL TOLERANCES (UNLESS SPECIFIED)	DIMENSION STYLE	SCALE	DESIGN UNITS	THIRD ANGLE PROJECTION	
	∇=0 ∇=0 ∇=0	4 PLACES ± --- INCH 3 PLACES ± --- INCH 2 PLACES ± 0.25 INCH 1 PLACE ± 0.25 INCH ANGULAR ±1/2°	mm INCH	MM ONLY	2:1	METRIC	DRAWN BY DATE J JANTELEZ10 02/05/2008 CHECKED BY DATE K LANG 02/05/2008 APPROVED BY DATE BANAKIS 02/05/2008
	DRAFT WHERE APPLICABLE MUST REMAIN WITHIN DIMENSIONS		MATERIAL NO. 75758-000*		DOCUMENT NO. SD-75758-001		TITLE IPASS STACKED 26/26 CIRCUIT CONNECTOR W/LIGHT PIPES MOLEX INCORPORATED SHEET NO. 1 OF 3



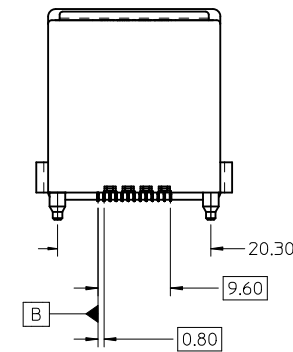
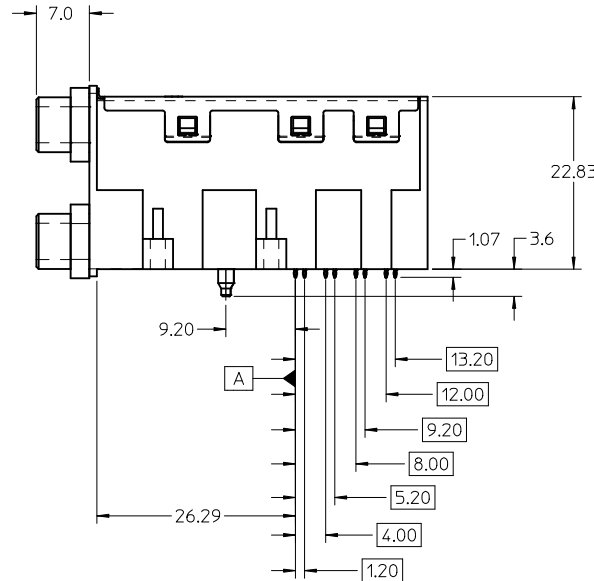
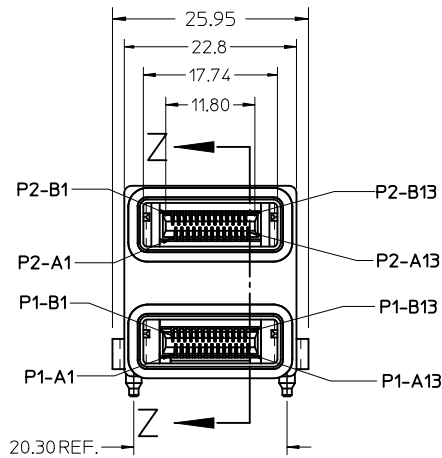
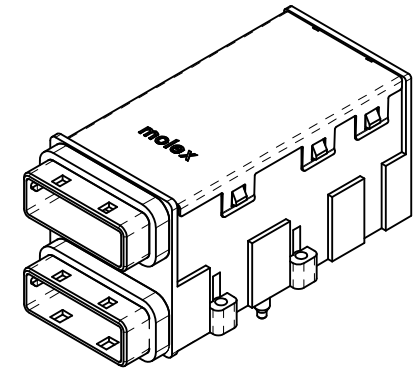
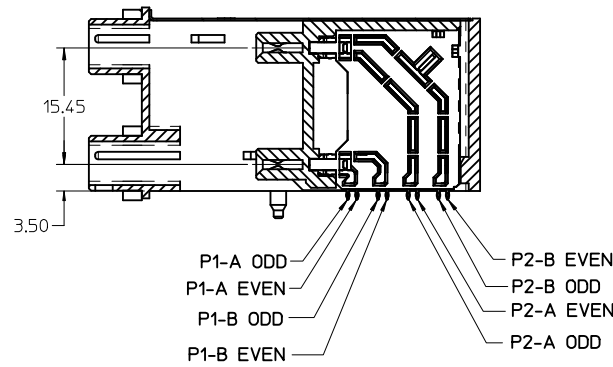
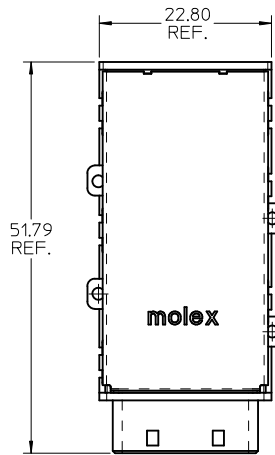
PANEL CUT-OUT

MAXIMUM THICKNESS = 1.50
(NOT SUPPLIED)



ASSEMBLY VIEW

SEE SHEET 1 EEC NO: UCP2012-1063 DRAWN: SROGIEL 2011/10/13 CHKD: APPR: HBANKIS 2011/10/20 REV DESCRIPTION	QUALITY SYMBOLS ▽=0 ▽=0 ▽=0		GENERAL TOLERANCES (UNLESS SPECIFIED) <table border="1"> <thead> <tr> <th></th> <th>mm</th> <th>INCH</th> </tr> </thead> <tbody> <tr> <td>4 PLACES</td> <td>±---</td> <td>±---</td> </tr> <tr> <td>3 PLACES</td> <td>±---</td> <td>±---</td> </tr> <tr> <td>2 PLACES</td> <td>±0.25</td> <td>±---</td> </tr> <tr> <td>1 PLACE</td> <td>±0.25</td> <td>±---</td> </tr> <tr> <td colspan="3">ANGULAR ±1/2°</td> </tr> </tbody> </table>			mm	INCH	4 PLACES	±---	±---	3 PLACES	±---	±---	2 PLACES	±0.25	±---	1 PLACE	±0.25	±---	ANGULAR ±1/2°			DIMENSION STYLE MM ONLY		SCALE 3:1	DESIGN UNITS METRIC	<input checked="" type="checkbox"/> THIRD ANGLE PROJECTION
		mm	INCH																								
	4 PLACES	±---	±---																								
	3 PLACES	±---	±---																								
2 PLACES	±0.25	±---																									
1 PLACE	±0.25	±---																									
ANGULAR ±1/2°																											
DRAFT WHERE APPLICABLE MUST REMAIN WITHIN DIMENSIONS			MATERIAL NO. 75758-000*		DATE 02/05/2008		TITLE IPASS STACKED 26/26 CIRCUIT CONNECTOR W/LIGHT PIPES																				
			SIZE D		DATE 02/05/2008		MOLEX INCORPORATED																				
			DOCUMENT NO. SD-75758-001		SHEET NO. 2 OF 3		THIS DRAWING CONTAINS INFORMATION THAT IS PROPRIETARY TO MOLEX INCORPORATED AND SHOULD NOT BE USED WITHOUT WRITTEN PERMISSION																				



NOTES :

1. MATERIALS :

CONNECTOR HOUSING - HIGH TEMP THERMOPLASTIC,
GLASS-FILLED, UL94V-0,
COLOR - BLACK

EMI HOUSING - DIE CAST ALLOY, NICKEL PLATED FINISH
COVER - STAINLESS STEEL ALLOY
CPI TERMINALS - COPPER ALLOY
EMI GASKETS - CONDUCTIVE POLYMER

2. TERMINAL PLATING :

CONTACT AREA - 0.76μ MIN GOLD OVER 2.54μ MIN NICKEL.
COMPLIANT AREA - 0.76-1.52μ TIN/LEAD (90/10) OVER
1.27μ MIN NICKEL.

3. PACKAGING SPECIFICATION : TRAY PACK (TBD)

4. REFER TO PS-75586-001 PRODUCT SPEC FOR ALL ELECTRICAL, MECHANICAL
AND ENVIRONMENTAL SPECIFICATIONS.

5. THIS CONNECTOR IS DESIGNED TO MATE WITH MOLEX CABLE SERIES 74548.

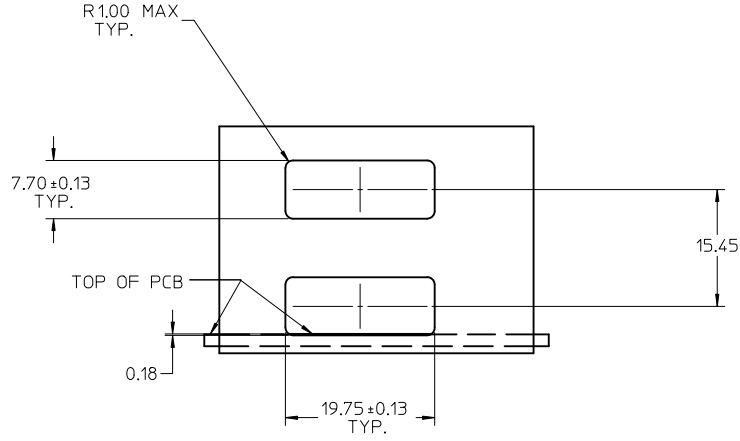
6. REQUIRES MOUNTING HARDWARE : (4) M2 X 8MM CAP SCREWS OR EQUIV.
MAX. TORQUE 2.3 in/lbs.

UPD TERM PLATING	QUALITY SYMBOLS
EC NO: UCP2011-3957	▽=0
DRWNG:GONZALEZ01 2011/06/21	▽=0
CHKD:KLANG 2011/06/21	
APPR:MBANAKIS 2011/07/06	
REV	DESCRIPTION

GENERAL TOLERANCES (UNLESS SPECIFIED)	
	mm INCH
4 PLACES ± ---	± ---
3 PLACES ± ---	± ---
2 PLACES ± 0.25	± ---
1 PLACE ± 0.25	± ---
ANGULAR ±1/2°	
DRAFT WHERE APPLICABLE MUST REMAIN WITHIN DIMENSIONS	

DIMENSION STYLE		SCALE	DESIGN UNITS	THIRD ANGLE PROJECTION
MM ONLY		2:1	METRIC	
DRAWN BY	DATE	TITLE		
JJANTELEZ10	01/23/08	IPASS STACKED 26/26 CIRCUIT CONNECTOR		
CHECKED BY	DATE	MOLEX INCORPORATED		
KLANG	01/23/08			
APPROVED BY	DATE	DOCUMENT NO.		
MBANAKIS	01/23/08	SD-75758-002		
MATERIAL NO.		SHEET NO.		
SEE CHART		1 OF 3		

THIS DRAWING CONTAINS INFORMATION THAT IS PROPRIETARY TO MOLEX INCORPORATED AND SHOULD NOT BE USED WITHOUT WRITTEN PERMISSION

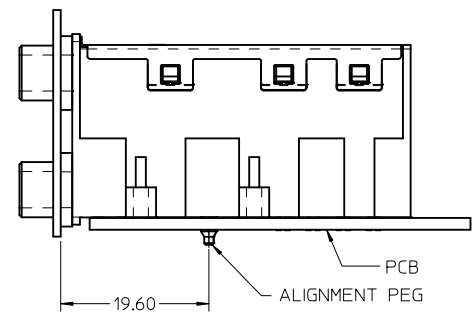
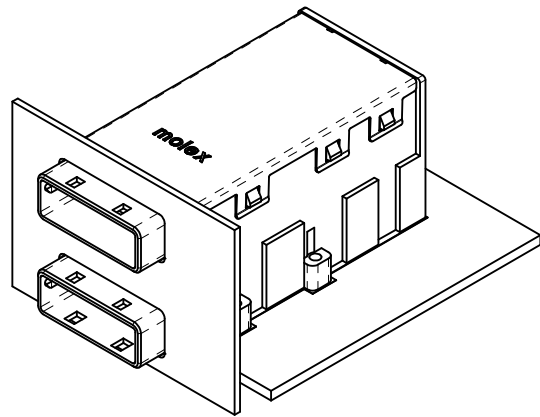


PANEL CUT-OUT

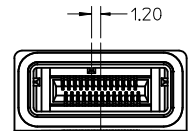
MAXIMUM THICKNESS = 1.50

NOTE : EDGE OF CUT-OUT IS BELOW THE PCB

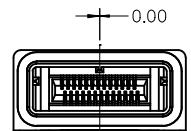
(NOT SUPPLIED)



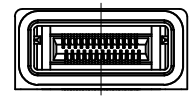
ASSEMBLY VIEW



KEY WAY - 3



KEY WAY - 4



KEY WAY - NONE

KEY WAY OPTIONS

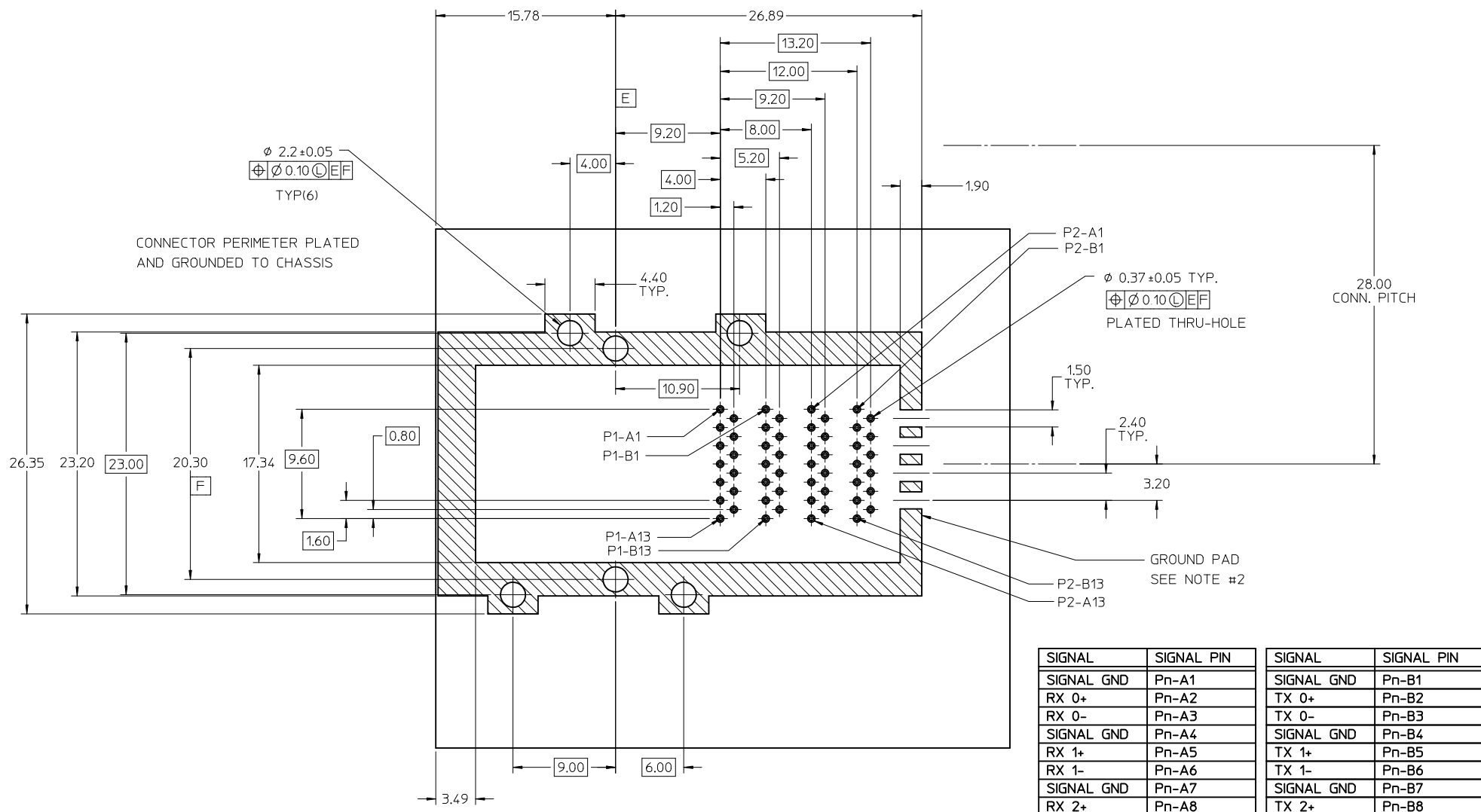
PART NUMBER	KEY WAY
75758-0101	NONE
75758-0102	#3
75758-0103	#4
-	-
-	-
-	-
-	-
-	-
-	-

SEE SHEET 1 EC NO: UCP2011-3957 DRWN: JGONZALEZ01 2011/06/21 CHKD: KLANG 2011/06/21 APPR: MBANAKIS 2011/07/06	REV	DESCRIPTION	QUALITY SYMBOLS
	D		▽=0 ▽=0

GENERAL TOLERANCES (UNLESS SPECIFIED)	
	mm INCH
4 PLACES ± ---	± ---
3 PLACES ± ---	± ---
2 PLACES ± 0.25	± ---
1 PLACE ± 0.25	± ---
ANGULAR ± 1/2°	
DRAFT WHERE APPLICABLE MUST REMAIN WITHIN DIMENSIONS	

DIMENSION STYLE MM ONLY	
DRAWN BY	DATE
JJANTELEZIO	01/23/08
CHECKED BY	DATE
KLANG	01/23/08
APPROVED BY	DATE
MBANAKIS	01/23/08
MATERIAL NO.	
SEE SHEET 1	

SCALE 2:1	DESIGN UNITS METRIC	THIRD ANGLE PROJECTION
IPASS STACKED 26/26 CIRCUIT CONNECTOR		
MOLEX INCORPORATED		SHEET NO. 2 OF 3
DOCUMENT NO. SD-75758-002		
THIS DRAWING CONTAINS INFORMATION THAT IS PROPRIETARY TO MOLEX INCORPORATED AND SHOULD NOT BE USED WITHOUT WRITTEN PERMISSION		



SIGNAL	SIGNAL PIN	SIGNAL	SIGNAL PIN
SIGNAL GND	Pn-A1	SIGNAL GND	Pn-B1
RX 0+	Pn-A2	TX 0+	Pn-B2
RX 0-	Pn-A3	TX 0-	Pn-B3
SIGNAL GND	Pn-A4	SIGNAL GND	Pn-B4
RX 1+	Pn-A5	TX 1+	Pn-B5
RX 1-	Pn-A6	TX 1-	Pn-B6
SIGNAL GND	Pn-A7	SIGNAL GND	Pn-B7
RX 2+	Pn-A8	TX 2+	Pn-B8
RX 2-	Pn-A9	TX 2-	Pn-B9
SIGNAL GND	Pn-A10	SIGNAL GND	Pn-B10
RX 3+	Pn-A11	TX 3+	Pn-B11
RX 3-	Pn-A12	TX 3-	Pn-B12
SIGNAL GND	Pn-A13	SIGNAL GND	Pn-B13

Pn - 'n' DENOTES PORT NUMBER

- NOTES :
- CROSS-HATCHED AREA MUST BE INCORPORATED IN THE FLAT ROCK PRESS-FIT TOOLING.
 - PLATE GROUND PAD WITH EMERSION SILVER OR GOLD.
 - RECOMMENDED DRILL SIZE FOR 0.37 ϕ FINISHED PTH IS 0.457 ϕ (#77 DRILL)
 - RECOMMENDED ANNULAR RING AROUND 0.37 ϕ FINISHED PTH IS 0.73 ϕ

RECOMMENDED PCB LAYOUT

THICKNESS = 1.35mm MIN.

SEE SHEET 1 EC NO: UCP2011-3957 DRWN: JGONZALEZ01 2011/06/21 CHKD: KLANG 2011/06/21 APPR: MBANAKIS 2011/07/06	QUALITY SYMBOLS	GENERAL TOLERANCES (UNLESS SPECIFIED) <table border="1"> <tr> <td></td> <td>mm</td> <td>INCH</td> </tr> <tr> <td>4 PLACES</td> <td>\pm ---</td> <td>\pm ---</td> </tr> <tr> <td>3 PLACES</td> <td>\pm ---</td> <td>\pm ---</td> </tr> <tr> <td>2 PLACES</td> <td>\pm 0.25</td> <td>\pm ---</td> </tr> <tr> <td>1 PLACE</td> <td>\pm 0.25</td> <td>\pm ---</td> </tr> </table> ANGULAR $\pm 1/2^\circ$		mm	INCH	4 PLACES	\pm ---	\pm ---	3 PLACES	\pm ---	\pm ---	2 PLACES	\pm 0.25	\pm ---	1 PLACE	\pm 0.25	\pm ---
			mm	INCH													
	4 PLACES		\pm ---	\pm ---													
	3 PLACES		\pm ---	\pm ---													
2 PLACES	\pm 0.25	\pm ---															
1 PLACE	\pm 0.25	\pm ---															
DESCRIPTION																	
REV																	

DRAFT WHERE APPLICABLE MUST REMAIN WITHIN DIMENSIONS

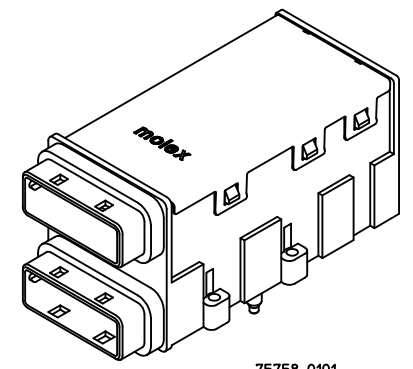
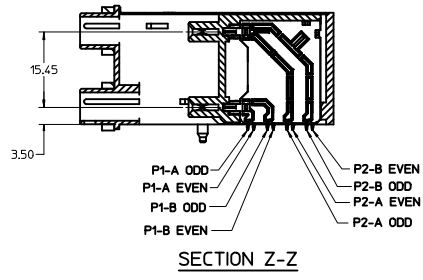
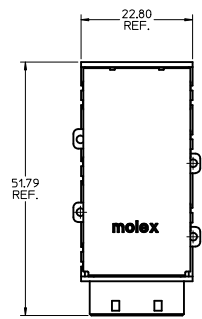
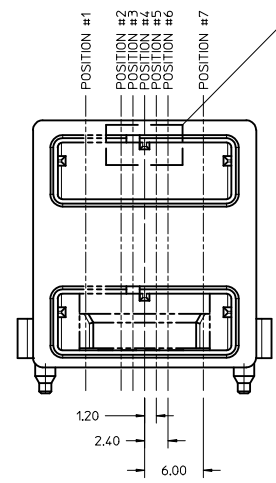
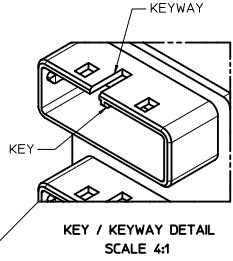
DIMENSION STYLE		SCALE	DESIGN UNITS	THIRD ANGLE PROJECTION
MM ONLY		2:1	METRIC	
DRAWN BY	DATE	TITLE		
JJANTELEZ10	01/23/08	IPASS STACKED 26/26 CIRCUIT CONNECTOR		
CHECKED BY	DATE	MATERIAL NO.		
KLANG	01/23/08	SD-75758-002		
APPROVED BY	DATE	SHEET NO.		
MBANAKIS	01/23/08	3 OF 3		
THIS DRAWING CONTAINS INFORMATION THAT IS PROPRIETARY TO MOLEX INCORPORATED AND SHOULD NOT BE USED WITHOUT WRITTEN PERMISSION				

MOLEX MOLEX INCORPORATED

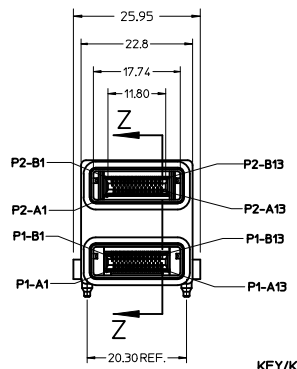
SD-75758-002

3 OF 3

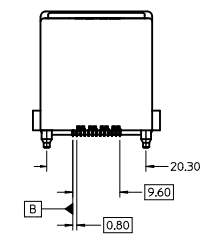
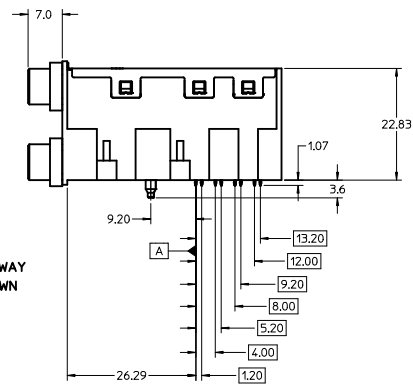
KEYING & PLATING OPTIONS			
TIN/LEAD PART NUMBER	LEAD FREE PART NUMBER	KEY POSITION	KEYWAY POSITION
75758-0101	75758-0201	NONE	NONE
75758-0102	75758-0202	#3	NONE
75758-0103	75758-0203	#4	NONE
75758-0104	75758-0204	#4	#3 & #5
75758-0105	75758-0205	NONE	#3 & #5
75758-0106	75758-0206	#4	#3
75758-0107	75758-0207	NONE	#3
75758-0108	75758-0208	#4	#5
75758-0109	75758-0209	NONE	#5
75758-0110	75758-0210	#2 & #4	NONE
75758-0111	75758-0211	#4 & #6	NONE



75758-0101
SHOWN FOR REF. ONLY

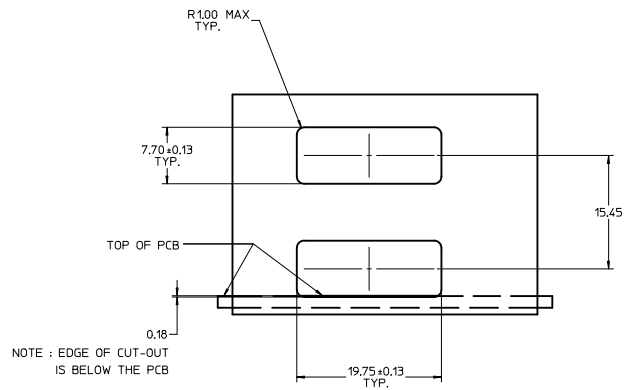


KEY/KEYWAY NOT SHOWN



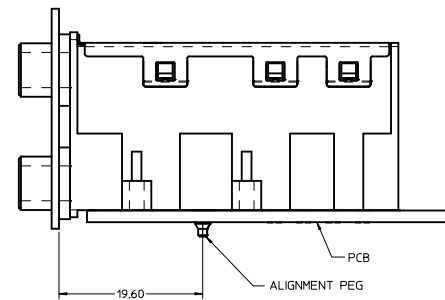
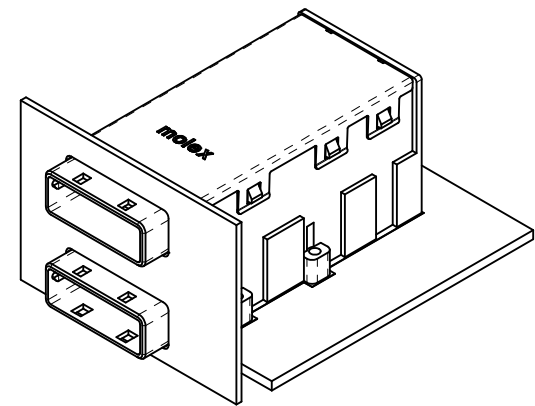
- NOTES :
- MATERIALS :
CONNECTOR HOUSING - HIGH TEMP THERMOPLASTIC, GLASS-FILLED, UL94V-0, COLOR - BLACK
EMI HOUSING - DIE CAST ALLOY, FINISH: NICKEL
COVER - STAINLESS STEEL ALLOY
CPI TERMINALS - COPPER ALLOY
EMI GASKETS - CONDUCTIVE POLYMER
 - TERMINAL PLATING : SEE CHART
OPTION 1) TIN/LEAD - CONTACT AREA - 0.7μ MIN GOLD OVER 2.5μ MIN NICKEL.
COMPLIANT AREA - 0.7-1.54μm TIN/LEAD (90/10) OVER 1.24μm MIN NICKEL.
OPTION 2) LEAD FREE - CONTACT AREA - 0.7μ MIN GOLD OVER 2.5μ MIN NICKEL.
COMPLIANT AREA - 0.7-1.54μm TIN (TIN ONLY) OVER 1.24μm MIN NICKEL.
 - PACKAGING SPECIFICATION : TRAY PACK (TBD)
 - REFER TO PS-75586-001 PRODUCT SPEC FOR ALL ELECTRICAL, MECHANICAL AND ENVIRONMENTAL SPECIFICATIONS.
 - THIS CONNECTOR IS DESIGNED TO MATE WITH MOLEX CABLE SERIES 74548.
 - REQUIRES MOUNTING HARDWARE : (4) M2 X 8MM CAP SCREWS OR EQUIV. MAX. TORQUE 2.3 in/lbs.
 - PRODUCT IS RoHS COMPLIANT.

ADD LEAD-FREE EC NO: UCP2012-1063 DRWNSB04LEL CHKD: APPROV:MBANAKIS 2011/10/20	QUALITY SYMBOLS ∇=0 ∇=0 ∇=0	GENERAL TOLERANCES (UNLESS SPECIFIED) mm INCH		DIMENSION STYLE MM ONLY		SCALE 2:1	DESIGN UNITS METRIC	THIRD ANGLE PROJECTION
		4 PLACES ± --- ± --- 3 PLACES ± --- ± --- 2 PLACES ± 0.25 ± --- 1 PLACE ± 0.25 ± --- ANGULAR ±1/2°	DRAWN BY JANTELEZ10 DATE 01/23/08	CHECKED BY KLANG DATE 01/23/08	TITLE IPASS STACKED 26/26 CIRCUIT CONNECTOR			
DRAFT WHERE APPLICABLE MUST REMAIN WITHIN DIMENSIONS		MATERIAL NO. 75758-010*		MOLEX INCORPORATED		DOCUMENT NO. SD-75758-010		SHEET NO. 1 OF 3



PANEL CUT-OUT

MAXIMUM THICKNESS = 1.50
(NOT SUPPLIED)



ASSEMBLY VIEW

SEE SHEET 1 EC NO: UCP2012-1063 DORWNSBOGIEL 2011/09/14 CHKD: APPR: MBANKIS 2011/10/20	QUALITY SYMBOLS	GENERAL TOLERANCES (UNLESS SPECIFIED)	DIMENSION STYLE	SCALE	DESIGN UNITS	THIRD ANGLE PROJECTION
	▽=0	mm INCH	MM ONLY	3:1	METRIC	
	▽=0	4 PLACES ±--- ±---	DRAWN BY	DATE	TITLE	
	▽=0	3 PLACES ±--- ±---	JJANTELEZIO 01/23/08	01/23/08	IPASS STACKED 26/26 CIRCUIT CONNECTOR	
	2 PLACES ±0.25 ±---	1 PLACE ±0.25 ±---	CHECKED BY	DATE	MOLEX INCORPORATED	
	ANGULAR ±1/2°		KLANG 01/23/08	DATE	SD-75758-010	
	DRAFT WHERE APPLICABLE MUST REMAIN WITHIN DIMENSIONS		APPROVED BY	DATE	SHEET NO.	
			MBANKIS 01/23/08	01/23/08	2 OF 3	
			MATERIAL NO.	DOCUMENT NO.	THIS DRAWING CONTAINS INFORMATION THAT IS PROPRIETARY TO MOLEX INCORPORATED AND SHOULD NOT BE USED WITHOUT WRITTEN PERMISSION	
			75758-010*	SD-75758-010		

