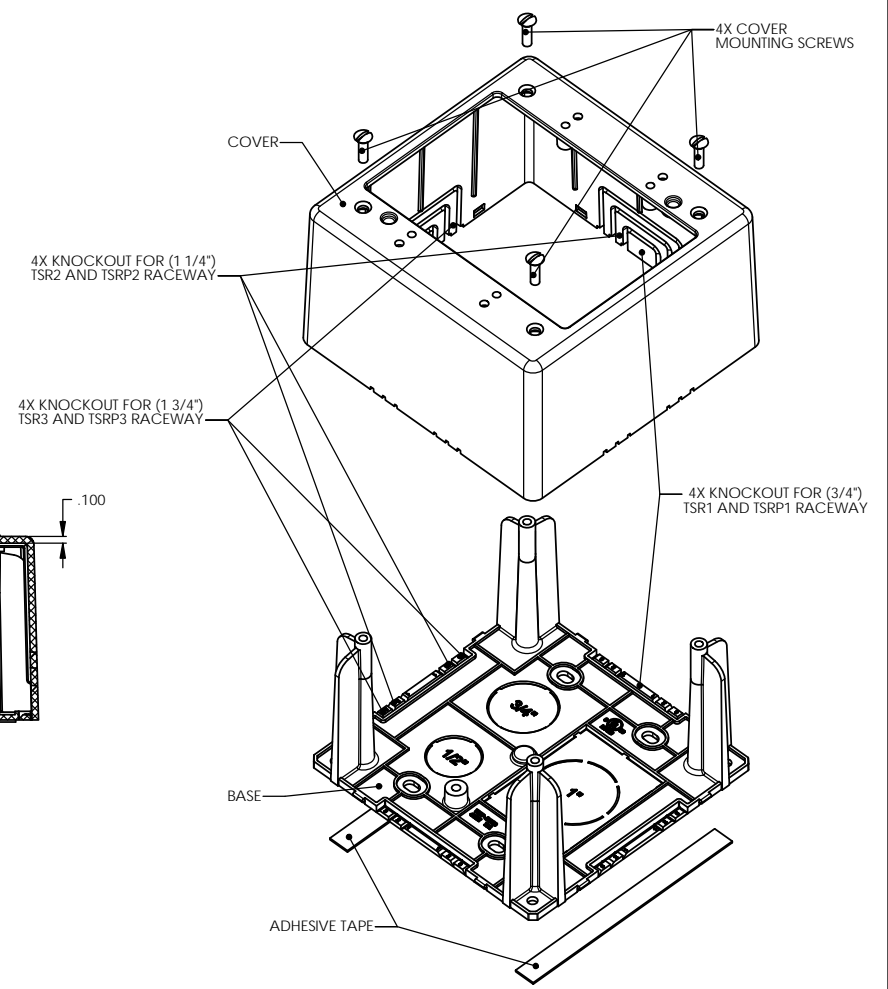


BOTTOM VIEW SHOWN WITHOUT ADHESIVE TAPE



PART NO. DESCRIPTION

TSR -JBD2

COLOR:
I = IVORY
FW = OFFICE WHITE
W = WHITE
(FOR OTHER COLORS
CONTACT FACTORY)

PART NUMBER	DESCRIPTION
TSRP -JBD2	POWER-RATED SYSTEM
TSR -JBD2	LOW VOLTAGE SYSTEM

INVENTORS

HellermannTyton

ALL PROPRIETARY RIGHTS IN THE SUBJECT MATTER SHOWN ON THIS DRAWING ARE EXCLUSIVE PROPERTY OF HELLERMANN TYTON

name	date	city, state

NOTES

- FEATURES**
- ADHESIVE BACKED BASE FOR EASY PLACEMENT OF BOX DURING ASSEMBLY
 - SCREWS PROVIDED FOR MOUNTING OF COVER TO BASE
 - KNOCKOUT ENTRIES FOR ALL 3 SIZES OF TSR AND TSRP RACEWAY
 - TALL PROFILE
 - PAINABLE WITH LATEX BASED PAINT
 - FACE PLATE MOUNTS TO COVER DIRECTLY FOR EASY ACCESS
 - TWO DIFFERENT SETS OF MOUNTING HOLES FOR SURFACE MOUNT OR FOR MOUNTING DIRECTLY TO A FLUSH WALL JUNCTION BOX VIA LARGE RECTANGULAR KNOCKOUT IN BASE
 - BASE IS RIBBED FOR STABILITY

REVISION

REV	DATE	BY	DESCRIPTION
1	09/12/2017	CTF	

DIMENSIONS

XXXX = ±.0005
XXX = ±.005
XX = ±.01
X = ±.03
∠ = ±0.5°
unless otherwise specified
units inches

PART

number	SEE CHART	phase	Production
name	TSR -JBD2 & TSRP -JBD2		
	DEEP DUAL GANG JUNCTION BOX		
	SURFACE RACEWAY CONNECTOR		
material	PVC		

DRAWING

format	version	CAD	SW	scale
DT08-023-003CST-06			SW 2006	3:4
checked	05/20/2008	checked	09/12/2017	approved
type	Customer			sheet 1 of 1
number	DT08-023-003CST			