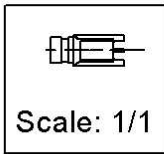
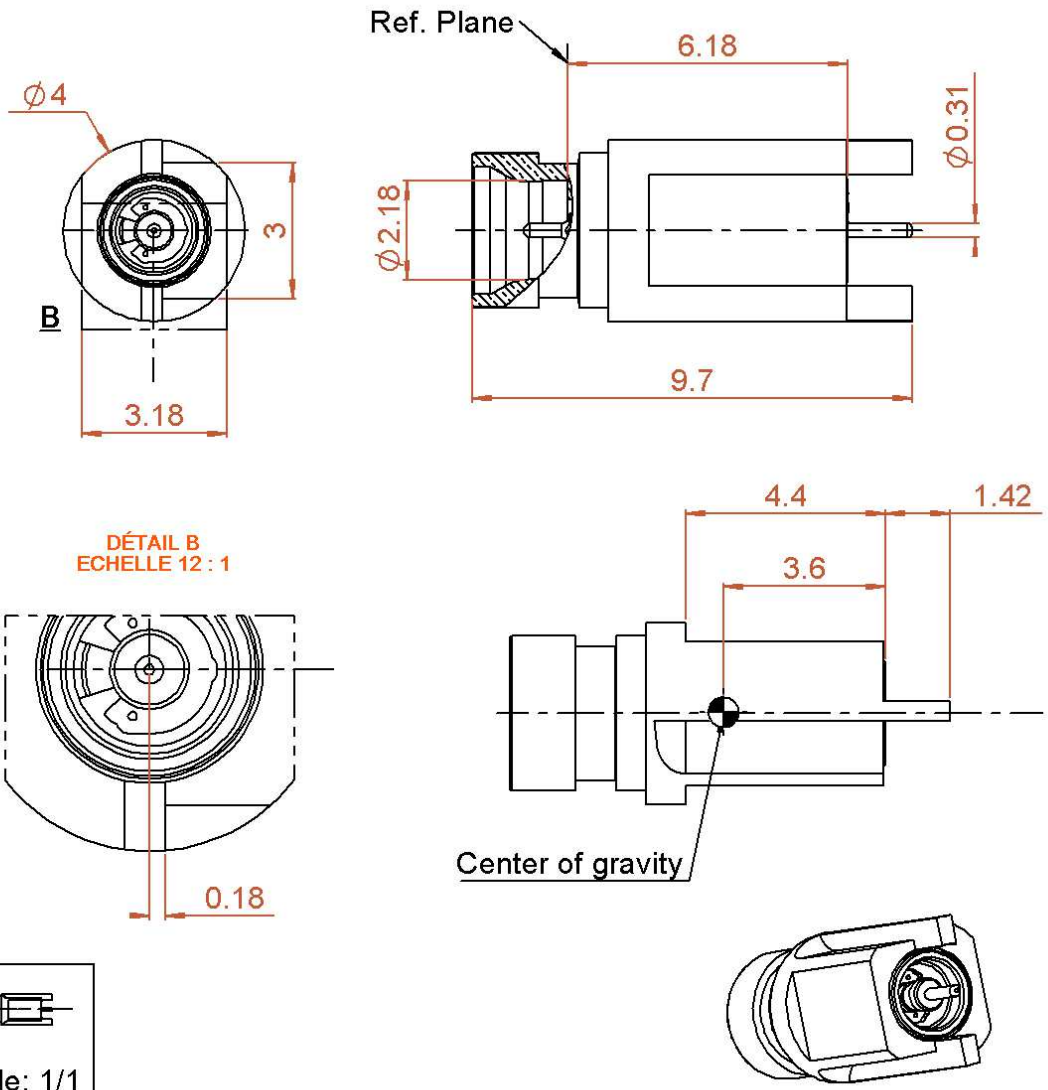
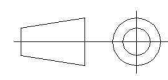


PAGE 1/4	ISSUE 08-04-20A	SERIES SMPM-L	PART NUMBER R201L00010
----------	-----------------	---------------	-------------------------------



All dimensions are in mm. Tolerances according ISO 2768 m-H



COMPONENTS	MATERIALS	PLATING (µm)
Body	BERYLLIUM COPPER	N2PGR
Center contact	BERYLLIUM COPPER	N2PGR
Outer contact		
Insulator	PEEK	
Gasket		
Others parts	BERYLLIUM COPPER	N2PGR
-	-	-
-	-	-

PAGE 2/4	ISSUE 08-04-20A	SERIES SMPM-L	PART NUMBER R201L00010
----------	-----------------	---------------	-------------------------------

PACKAGING

Standard	Unit	Tape Reel
100	Contact us	500

ELECTRICAL CHARACTERISTICS

Impedance		50	Ω
Frequency		0-65	GHz
VSWR	* +	0,0000	x F(GHz) Maxi
Insertion loss		*.012	√F(GHz) dB Maxi
RF leakage	- (TBD	- F(GHz) dB Maxi
Voltage rating		125	Veff Maxi
Dielectric withstanding voltage		250	Veff mini
Insulation resistance		5000	MΩ mini

RECOMMENDED SOLDERING PARAMETERS

Solder paste deposit: Sn (96.5) - Ag (3.0) - Cu (0.5)
 Granulometry from 25 to 36 micrometer
 Deposit thickness: 100 micrometer
 Flux: low residue

Soldering T°C according to IEC 61760-1
 and max 10s at max 260°C

MECHANICAL CHARACTERISTICS

Center contact retention			
Axial force – Mating End		6.7	N mini
Axial force – Opposite end		6.7	N mini
Torque		NA	N.cm mini

Recommended torque			
Mating		NA	N.cm
Panel nut		NA	N.cm
Mating life			
Nominal Weight		500	Cycles mini
(Add +15% for max weight)		0,5120	g

ENVIRONMENTAL

Operating temperature		-65/+165	°C
Hermetic seal		NA	Atm.cm3/s
Panel leakage			

SPECIFICATION

OTHER CHARACTERISTICS

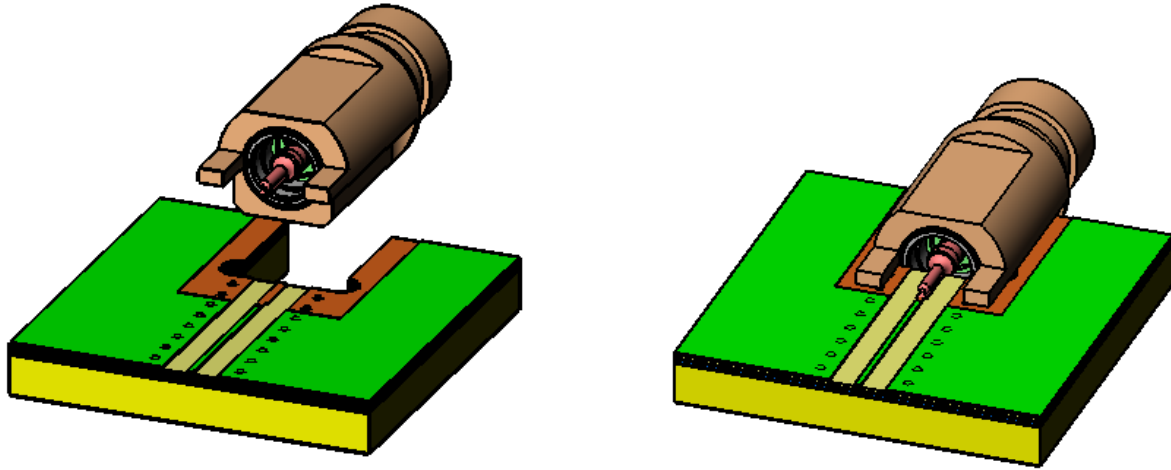
Assembly instruction:

Others:

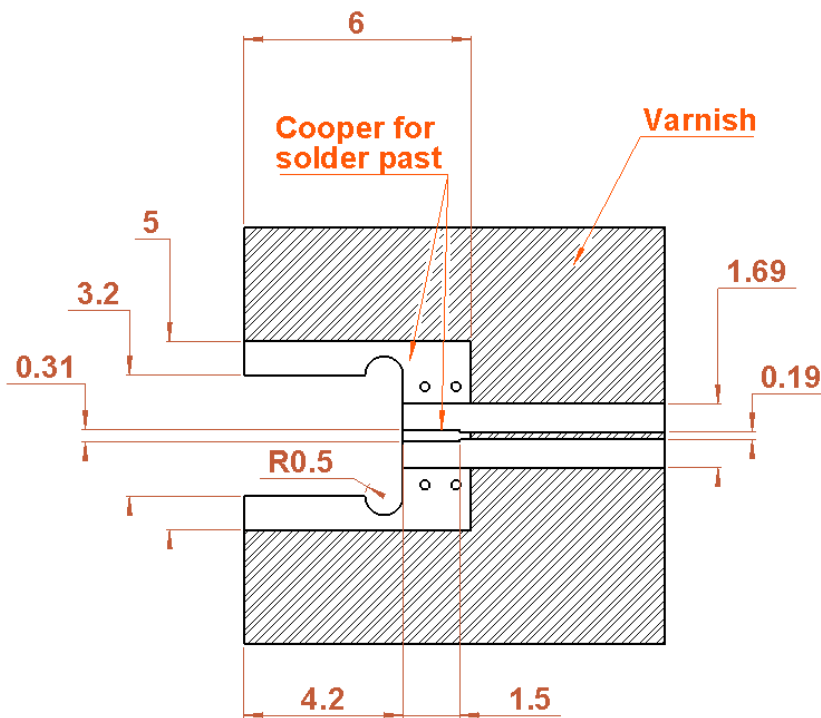
- * **1.15 (DC-26.5 GHz) 1.35 (26.5-40 GHz)**
- * **Coaxial transmission line only**
- * **RF performances highly depend on PCB adaptation**

CUSTOMER'S APPROVAL
Department or Company's stamp Name : Date :
Copy to send back to RADIALL S.A BEFORE :

PAGE 3/4	ISSUE 08-04-20A	SERIES SMPM-L	PART NUMBER R201L00010
----------	-----------------	---------------	------------------------



PCB Dimension



PAGE 4/4	ISSUE 08-04-20A	SERIES SMPM-L	PART NUMBER R201L00010
----------	-----------------	---------------	-------------------------------

PACKAGING

