

**ECN/PCN No.: 3858**

For Manufacturer			
<b>Product Description:</b> Clock Oscillator	<b>Abracon Part Number / Part Series:</b> O1M843200S012	<input type="checkbox"/> Documentation only <input type="checkbox"/> ECN <input checked="" type="checkbox"/> EOL	<input type="checkbox"/> Series <input checked="" type="checkbox"/> Part Number
<b>Affected Revision:</b> A	<b>New Revision:</b> EOL	<b>Application:</b>	<input type="checkbox"/> Safety <input checked="" type="checkbox"/> Non-Safety
<b>Prior to Change:</b> O1M843200S012 Rev. A (page 2)			
<b>After Change:</b> EOL			
<b>Cause/Reason for Change:</b> Discontinuation of this older product package type and associated manufacturing capability.			
Change Plan			
<b>Effective Date:</b> 06/24/2021	<b>Additional Remarks:</b>		
<b>Change Declaration:</b>			
<b>Issued Date:</b> 06/24/2021	<b>Issued By:</b> <i>Stephanie Lopez</i>	<b>Issued Department:</b> Engineering	
<b>Approval:</b> <i>Thomas Culhane</i> Engineering Director	<b>Approval:</b> <i>Reuben Quintanilla</i> Quality Director	<b>Approval:</b> <i>Ying Huang</i> Purchasing Director	
For Abracon EOL only			
<b>Last Time Buy (if applicable):</b> None	<b>Alternate Part Number / Part Series:</b> None		
<b>Additional Approval:</b>	<b>Additional Approval:</b>	<b>Additional Approval:</b>	
Customer Approval (If Applicable)			
<b>Qualification Status:</b> <input type="checkbox"/> Approved <input type="checkbox"/> Not accepted <i>Note: It is considered approved if there is no feedback from the customer 1 month after ECN/PCN is released.</i>			
<b>Customer Part Number:</b>		<b>Customer Project:</b>	
<b>Company Name:</b>	<b>Company Representative:</b>	<b>Representative Signature:</b>	
<b>Customer Remarks:</b>			

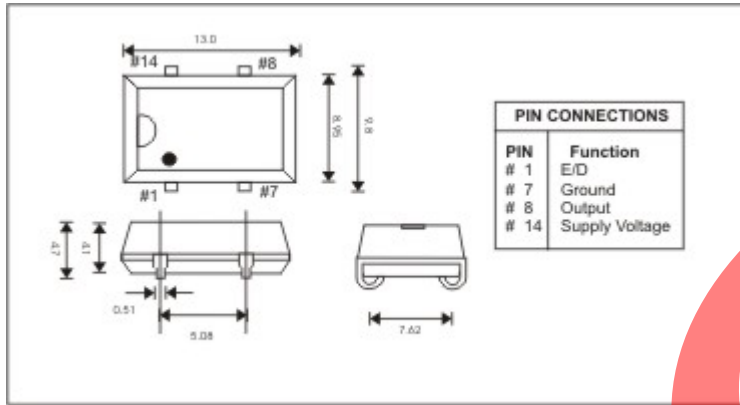


# Specification Control Drawing

## Clock Oscillator

Frequency

1.8432MHz



Package Type	14x9 SMD 4 Pad
Overall Stability (ppm)	±100 PPM
Operating Temp. Range	-10°C to +70°C
Storage Temperature Range	-55C + 125C
Input Voltage (V DD)	3.3V DC
Max Input Current (mA)	9.00mA
Output Waverform	TTL/CMOS
0 Level	0.5V / 10% Vdd
1 Level	2.4V / 90% Vdd
Symmetry	45/55
Output Load	1-10 LSTTL/30pF
Rise Fall Time (ns)	10.00ns
Startup Time (ms)	10.00ms
Enable Disable Function	Tri-State

Marking Instruction

AEL4513CS/Freq/WWYY

Frequency

1.843200

Amdt. Date	Change Note	AEL Code
	AEL4513CS 1.8432MHz	O1M843200S012
		Issue Ref A

