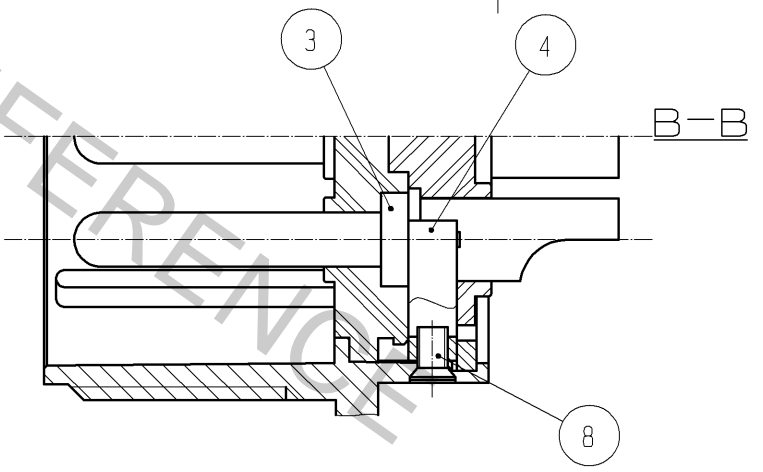
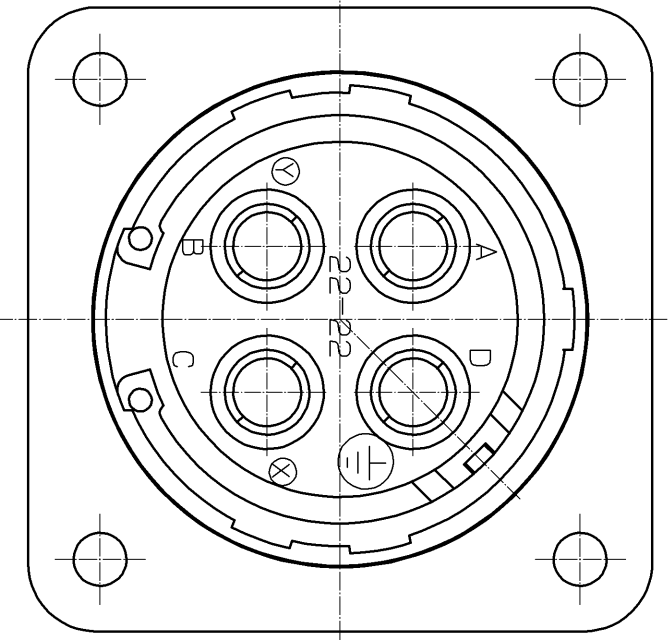
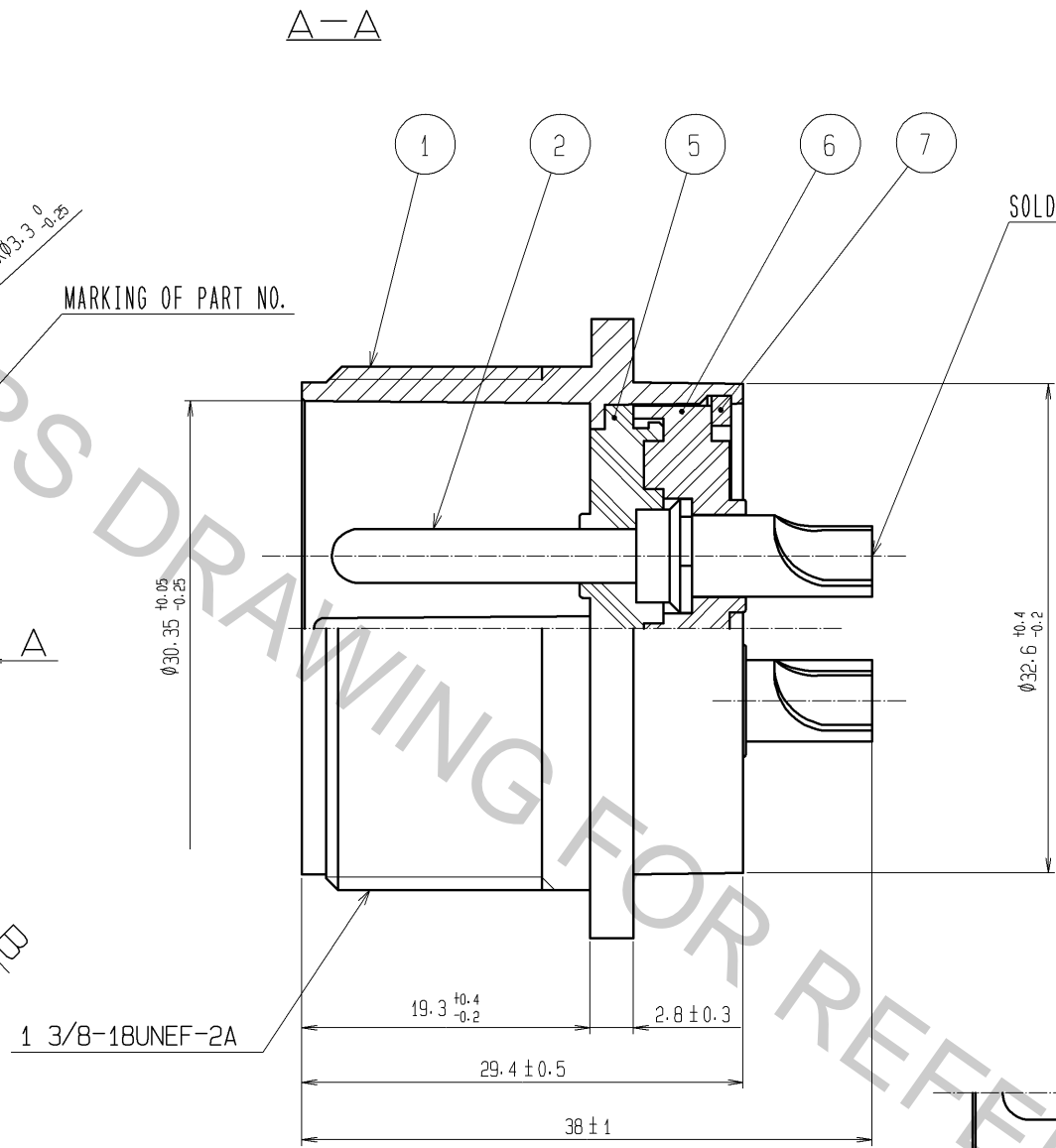
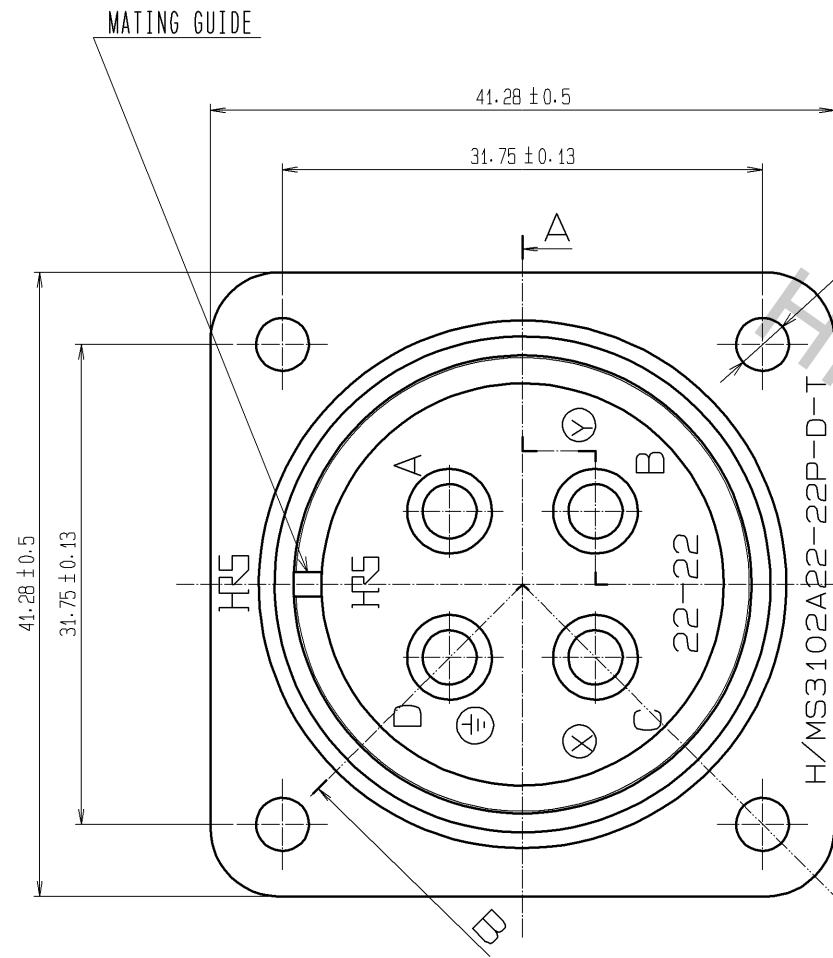


Aug.1.2018 Copyright 2018 HIROSE ELECTRIC CO., LTD. All Rights Reserved.
 In case that the application demands a high level of reliability, such as automotive,
 please contact a company representative for further information.



4	PHOSPHOR BRONZE	SILVER PLATING	8	BRASS	NICKEL PLATING
3	BRASS	SILVER PLATING 4 μm min.	7	STEEL	NICKEL PLATING
2	BRASS	SILVER PLATING 4 μm min.	6	PPS	(BLACK) UL94V-0
1	ALUMINUM ALLOY	ZINC PLATING (BLACK CHROMATE TREATMENT)	5	SIR	(BLACK)
NO.	MATERIAL	FINISH . REMARKS	NO.	MATERIAL	FINISH . REMARKS
UNITS		SCALE	COUNT	DESCRIPTION OF REVISIONS	
mm		2 : 1	△	DESIGNED	CHECKED
HIROSE ELECTRIC CO., LTD.		APPROVED : SU. OBARA	10.02.16	DRAWING NO. EDC3-110225-73	
		CHECKED : HY. KISHI	10.02.16	PART NO. H/MS3102A22-22P-D-T(73)	
		DESIGNED : TH. KAMEYA	10.02.16	CODE NO. CL120-0227-9-73	
		DRAWN : YS. SAKODA	10.02.13	1/1	