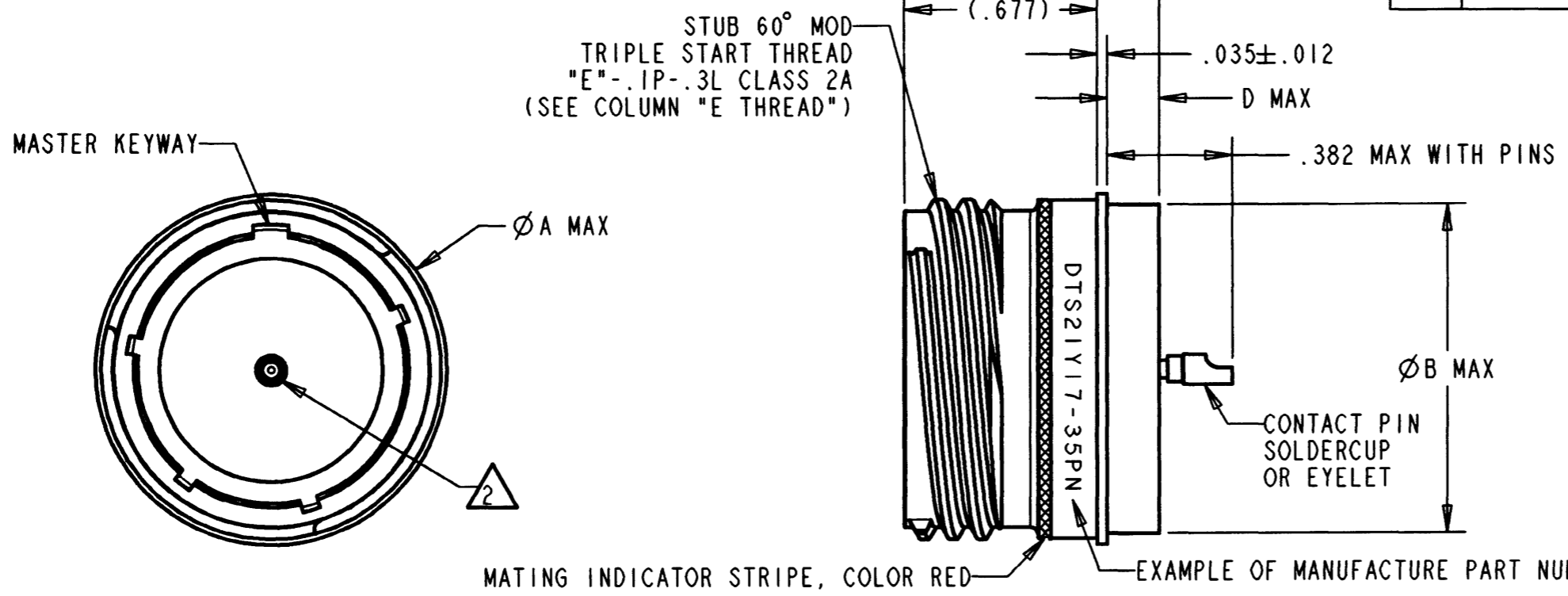


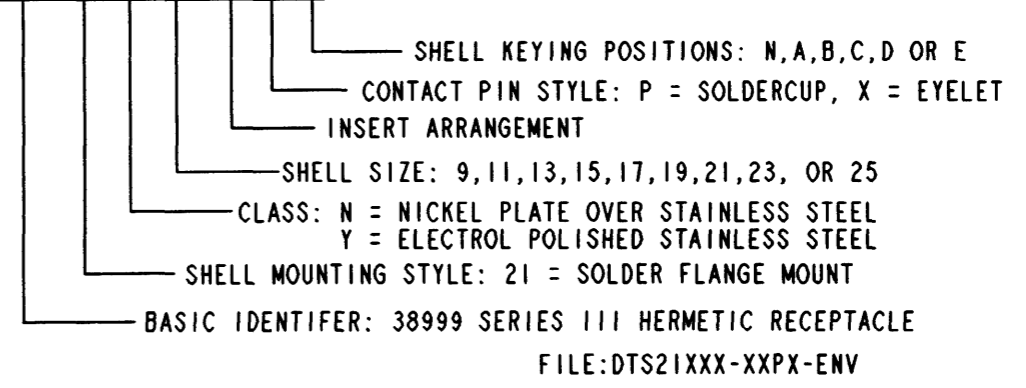
N/C DTS21XXX-XXPX

REVISIONS			
REV	DESCRIPTIONS	DATE	APPROVED
N/C	NEW RELEASE PER E.O. HI661	10/21/96	<i>S. Lui</i>



SHELL SIZE	A	B	C	D	E THREAD
9	.764	.673	.937	.201	.6250
11	.858	.783	.937	.201	.7500
13	.980	.909	.937	.201	.8750
15	1.106	1.031	.937	.201	1.0000
17	1.232	1.157	.937	.201	1.1875
19	1.323	1.252	.937	.201	1.2500
21	1.449	1.378	.937	.201	1.3750
23	1.575	1.504	.968	.232	1.5000
25	1.701	1.626	.968	.232	1.6250

9. PART NUMBER BREAKDOWN: DTS 21 Y 17-35 P N



- DIMENSIONS ARE IN INCHES UNLESS OTHERWISE NOTED.
- INSERT ARRANGEMENT CONFORMS TO MIL-STD-1560.
- THE INSERT ARRANGEMENT DOSE NOT ROTATE WITH MASTER KEYWAY.
- FINISH: SHELL - ELECTRO-POLISH
PIN CONTACTS - GOLD OVER NICKEL
- MATERIAL: SHELL - STAINLESS STEEL
PIN CONTACTS - HIGH NICKEL IRON ALLOY OR EQUIVALENT
GLASS - COMPRESSION GLASS
PIN INSERT & INTERNAL SEAL - FLUOROSILICONE ELASTOMER
- MATES WITH DTS26***-***S* PLUG CONNECTOR.
- CONNECTOR MEETS REQUIREMENTS OF MIL-C-38999 SERIES III.
- CONSULT SALE STAFF FOR ARRANGEMENT AVAILABILITY.

NOTE:

	SIGNATURE & DATE
DR	S. LUI 10/21/96
CHK	<i>S. Lui</i> 10/21/96
PE	<i>S. Lui</i> 10/21/96
APPD	<i>S. Lui</i> 10/21/96
SCALE:	NONE

CONNECTOR, RECEPTACLE
HERMETIC
PIN UNIT
SOLDER FLANGE MOUNT
THREAD COUPLING
MIL-C-38999 SERIES III
ENVELOPE

CP	MATL CODE 72
DEUTSCH HERMETIC PRODUCTS OPERATION 680 Airport Road Oceanside, CA 92054	
B	DTS21XXX-XXPX
DWG SIZE	CAGE CODE 11139 SHEET 1 OF 1