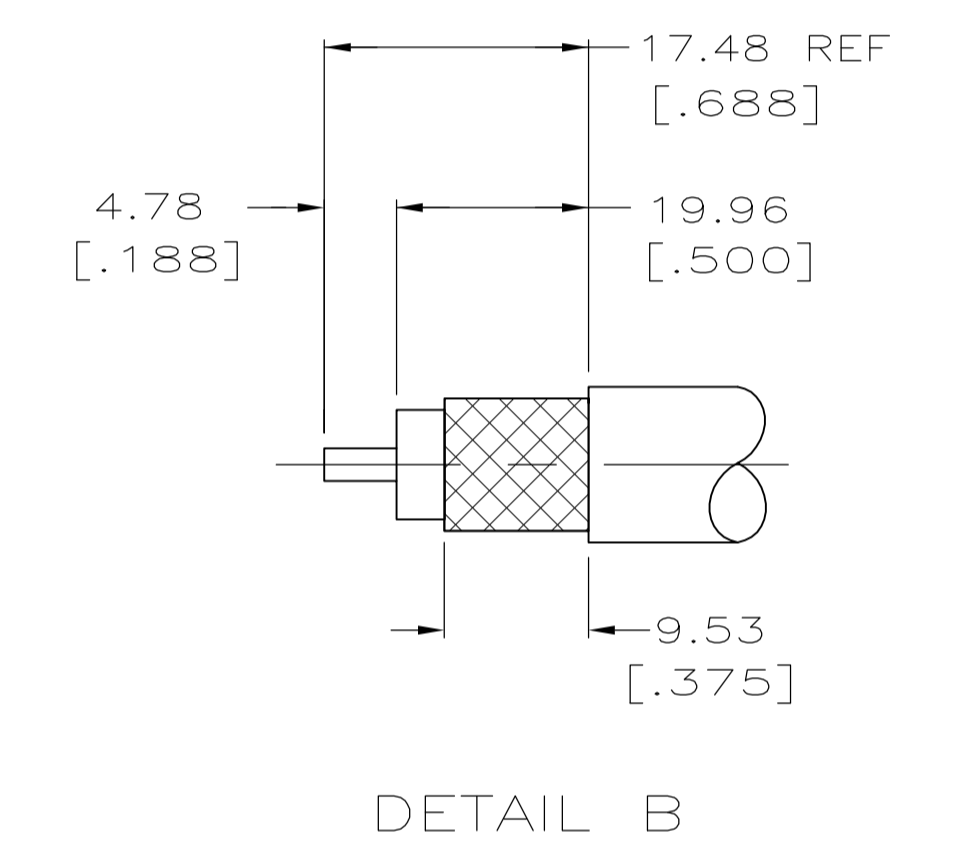
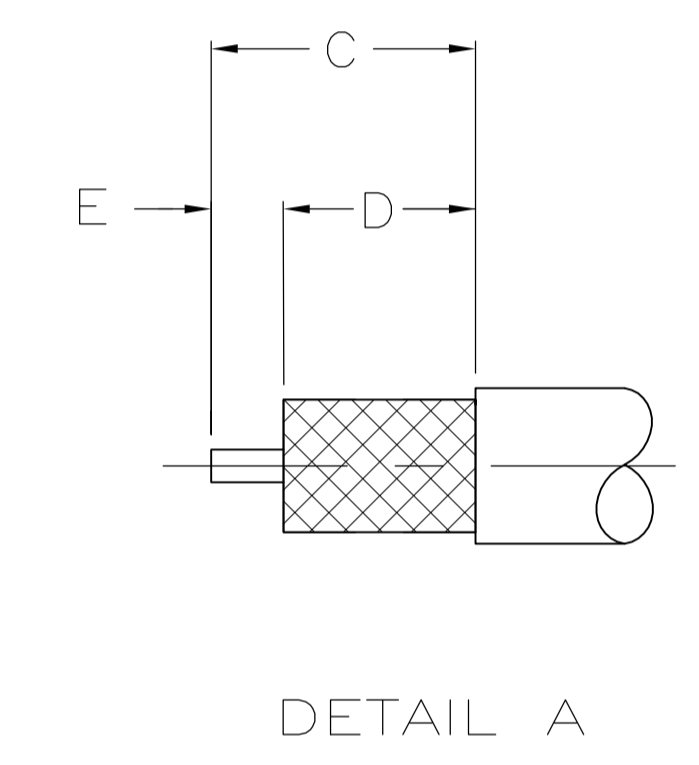


- 1. SEE I.S. #2028-1.
- 2. THIS PART IS RESTRICTED TO AMP FRANCE.
- 3. OBSOLETE PART NUMBER.



RECOMMENDED STRIP LENGTH

| | | | | | | | | | | | | |
|--------------------------|------------|--------------------------------------|---------------|------|--|--------------|--------------|--------|-----------------|-----------------|-------------------|-------------|
| | RG-217/U | 1-51692-6 AMP | 220065-1 | X | 9.53 [.375] | 13.89 [.547] | 23.42 [.922] | A | 225982-2 | 225788-4 | 2221878-1 | 1-51692-6 |
| | | | | | SEE SEPERATE RESTRICTED CUSTOMER DRAWING | | | | | | | 1-51692-5 |
| | RG-217/U | 11400158 AMP | 220065-1 | Y | 9.53 [.375] | 13.89 [.547] | 23.42 [.922] | A | 225982-2 | 225788-4 | 225981-1 | 1-51692-4 |
| SUPERSEDED BY 1-225092-0 | RG-217 | 1-51692-1 AMP | 220065-1 | X | 9.53 [.375] | 13.89 [.547] | 23.42 [.922] | A | 225982-2 | 225788-4 | 225981-2 | 1-51692-1 |
| | | | | | | | | A | | | | 51692-8 |
| | | | | | | | | A | | | | 51692-7 |
| OBSOLETE | RG-165 | 00779 M39012/01B0011 AMP & DATE CODE | 220015-1 | X | | | | B | 51713-2 | 51695-8 | 51701-1 | 51692-6 |
| OBSOLETE | RG-216 | 00779 M39012/01B0014 AMP & DATE CODE | 220015-1 | X | 4.77 [.188] | 12.70 [.500] | 17.48 [.688] | A | 51713-2 | 51695-6 | 51701-1 | 51692-5 |
| | RG-11A,144 | 00779 M39012/01B0013 AMP & DATE CODE | 220015-1 | X | | | | B | 9-51713-4 | 51695-6 | 51701-1 | 51692-4 |
| | | | | | | | | | | | | 51692-3 |
| | RG-213 | 00779 M39012/01B0007 AMP & DATE CODE | 220015-1 | X | | | | B | 9-51713-4 | 51695-2 | 51701-1 | 51692-2 |
| | RG-214 | 00779 M39012/01B0008 AMP & DATE CODE | 220015-1 | X | 4.77 [.188] | 12.70 [.500] | 17.48 [.688] | A | 9-51713-4 | 51695-2 | 51701-1 | 51692-1 |
| | CABLE SIZE | STAMPING | CRIMPING TOOL | VIEW | E | D | C | DETAIL | 3 FERRULE QTY=1 | 2 CONTACT QTY=1 | 1 PLUG ASSY QTY=1 | PART NUMBER |

THIS DRAWING IS A CONTROLLED DOCUMENT.

| | | | | |
|--------------------|--|----------------------|-----------|------------------|
| DIMENSIONS: INCHES | TOLERANCES UNLESS OTHERWISE SPECIFIED: | DIN N. FRITZ 9-18-90 | APVD | NAME |
| 0 PLC ± - | 1 PLC ± - | 10-18-90 | M. SNFED | |
| 2 PLC ± 0.41 [016] | 3 PLC ± - | | | PRODUCT SPEC |
| 4 PLC ± - | ANGLES ± - | | | 108-12019 |
| | | | | APPLICATION SPEC |
| MATERIAL | FINISH | SIZE | CAGE CODE | DRAWING NO |
| | | WEIGHT | A1 | 00779 |
| | | | | 51692 |
| | | CUSTOMER DRAWING | SCALE 4:1 | SHEET 1 OF 1 |

STE TE Connectivity

PLUG, SERIES N