

Ratings

Voltage: 600 V
 Temperature: -40~105 °C
 Flammability: FT2

Conductor

Conductor count: 4
 Gauge: 24 AWG 0.21 mm²
 Material: tinned copper strands
 Strand size: ϕ 0.08 x 41
 Resistance at 20 °C: 94.2 Ω /km max

Insulator

Material: mPPE
 Color: red, black, white, yellow
 Diameter: ϕ 1.1 \pm 0.10 mm
 Average thickness: 0.24 mm
 Resistance at 20 °C: 100 M Ω /km min

Wrap

Material: cotton paper

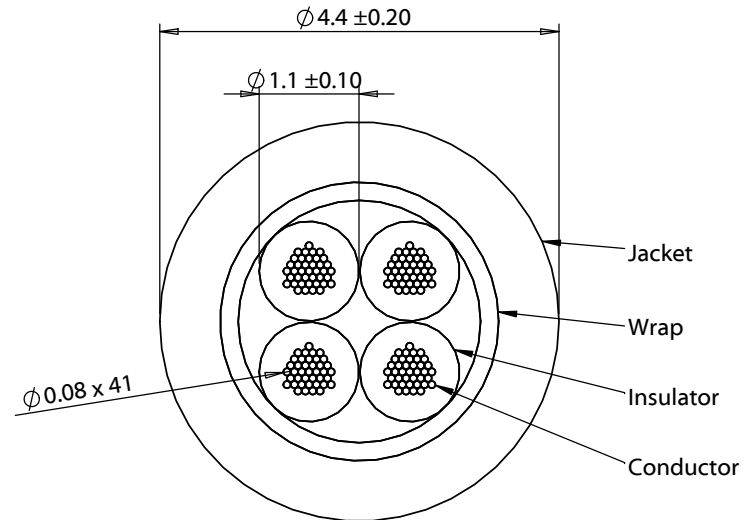
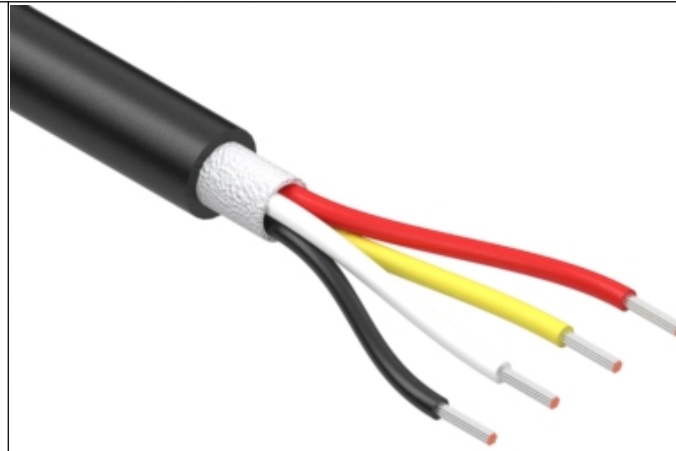
Outer jacket

Material: mPPE, 85A
 Color: black
 Diameter: ϕ 4.4 \pm 0.20 mm
 Average thickness: 0.82 mm

Wire marking: E339579 UL AWM STYLE 21509 24 AWG 105°C
 600V --- cUL AWM I A 105°C 600V FT2 TENSILITY

Bend radius

Minimum: 6 times diameter (26.4 mm)



Revision:	Date:	Description:	Prepared:	Notes: RoHS compliant Phthalate and halogen free	TENSILITY tel 1.541.323.3228 800 877.670.7118 fax 1.541.323.4202 web tensility.com
A	5/5/2021	Initial release	Verified:		
			Dimensions are in millimeters. Tolerances: X: \pm 0.5 mm X.X: \pm 0.3 mm X.XX: \pm 0.05 mm	Description:	Size: Part number:
				Wire, 4C TS, 24 AWG, 21509, 600V, 105C, 4.4 mm, FT2, mPPE	A 30-01993
				Scale: 12:1	

5

4

3

2

1