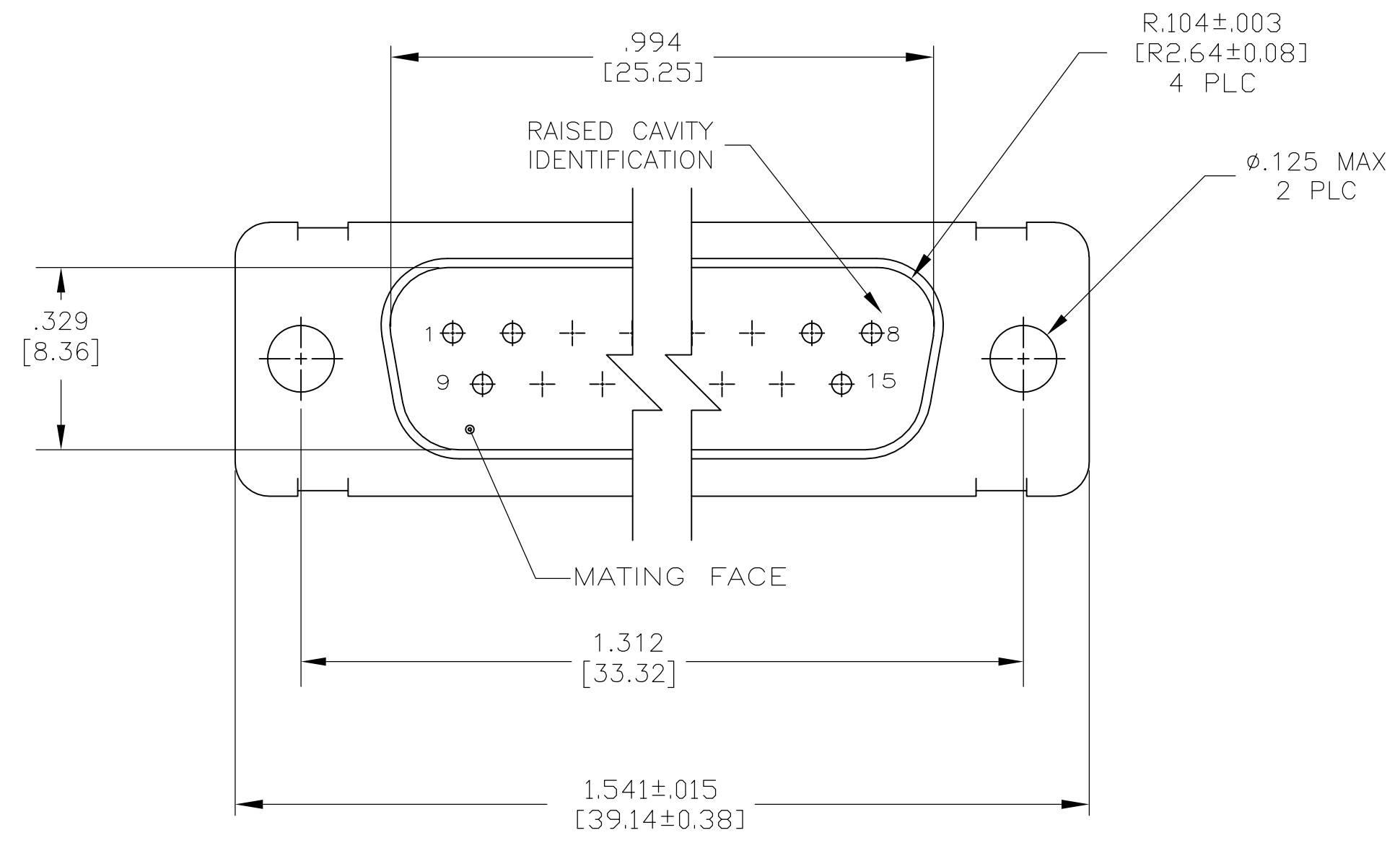
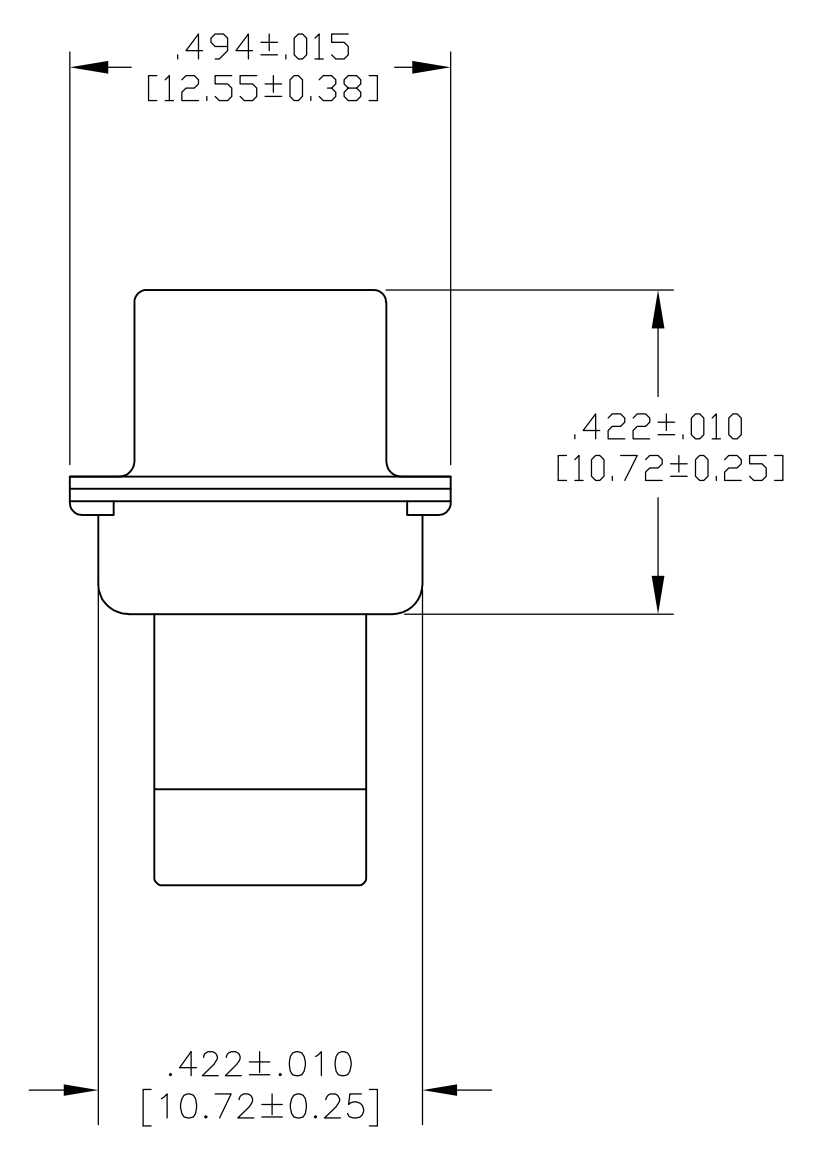
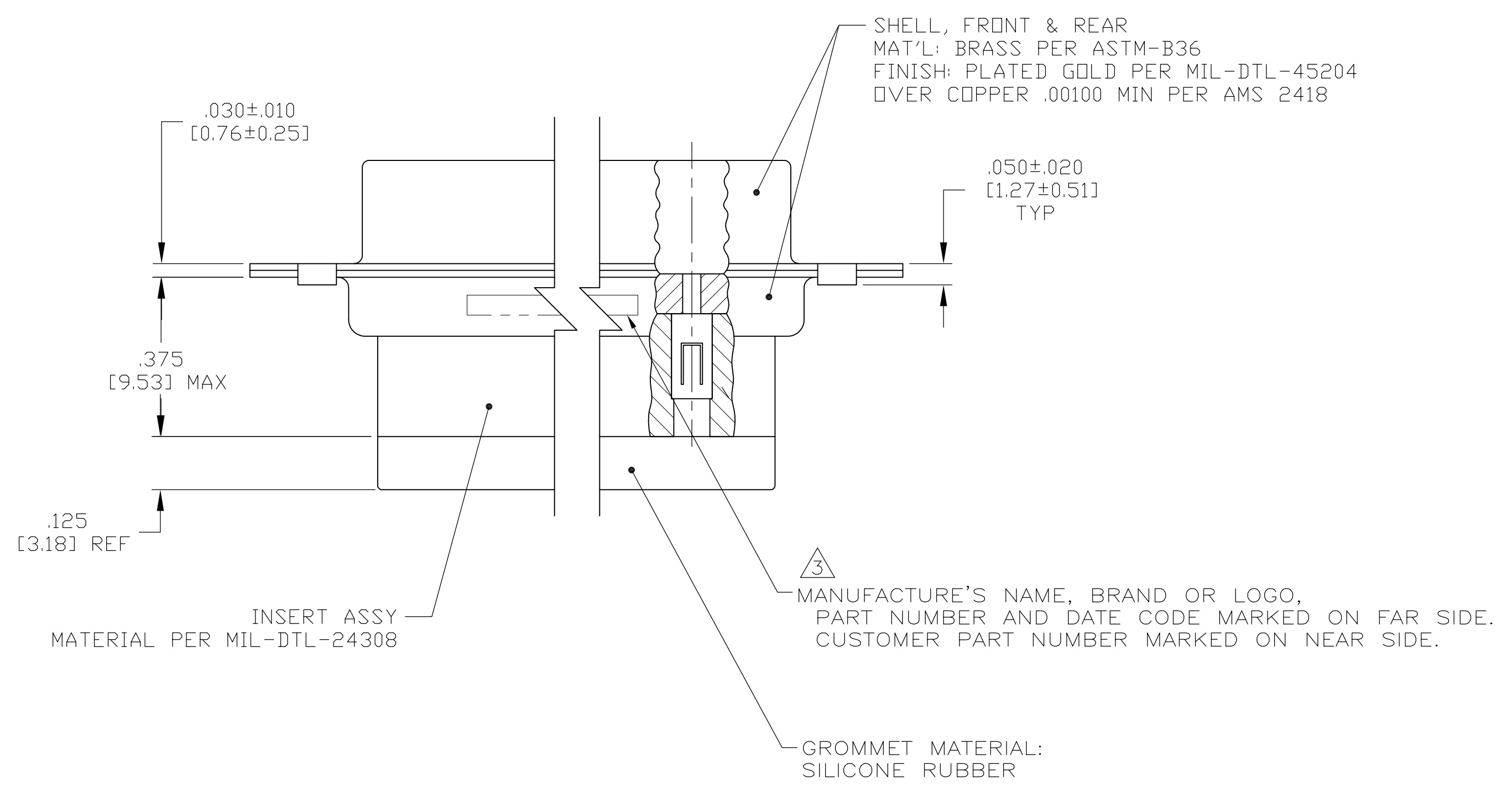


LOC		DIST		REVISIONS			
P	LTR	DESCRIPTION	DATE	DNW	APVD		
J		REV PER ECO 15-005906	5-19-15	CT	DM		



1. THIS CONNECTOR ASSEMBLY IS SUPPLIED WITH Be Cu CONTACT RETENTION CLIPS INSTALLED IN THE INSERT ASSEMBLY.
 2. THIS CONNECTOR ASSEMBLY MATES WITH ANY PLUG CONNECTOR WITH THE SAME INSERT ARRANGEMENT AND DIMENSIONAL REQUIREMENTS PER MIL-C-24308.
 3. MARKED WITH .047 [1.19]-.062 [1.57] HIGH CHARACTERS. FAR SIDE REFERS TO THE WIDE SIDE OF THE KEYSTONE. NEAR SIDE REFERS TO THE NARROW SIDE OF THE KEYSTONE.
 4. MAXIMUM WIRE INSULATION TO BE USED WITH THIS CONNECTOR ASSEMBLY IS .068 [1.73] DIAMETER.
5. SPECIAL REQUIREMENTS PER BOEING 1A01 DOCUMENT.
6. BUILT TO ORDER, NO INVENTORY OF THIS PART NUMBER IS TO BE KEPT. SINGLE LOT DATE CODE REQUIRED.



REMARKS	CUSTOMER MARKING	PART NUMBER
6	1A01-027PHW	1-211639-1
--	---	211639-4
6	1A01-027PHA	211639-1

THIS DRAWING IS A CONTROLLED DOCUMENT.

DIMENSIONS:	TOLERANCES UNLESS OTHERWISE SPECIFIED:	DESIGNED BY: YEAGER	DATE: 13FEB09
INCHES [mm]		CHECKED BY: YEAGER	DATE: 13FEB09
0 PLC ± -		RELEASED BY: YEAGER	DATE: 13FEB09
1 PLC ± -		PRODUCT SPEC	
2 PLC ± -		APPLICATION SPEC	
3 PLC ± .005 [0.13]		WEIGHT	
4 PLC ± -		SIZE	
ANGLES ± -		CAGE CODE	
MATERIAL	FINISH	DRAWING NO	RESTRICTED TO
		A1 00779	
		211639	
		CUSTOMER DRAWING	

SCALE: 4:1 SHEET 1 OF 1 REV J