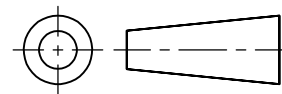


DO NOT SCALE

METRIC

THIRD ANGLE

PROJECTION

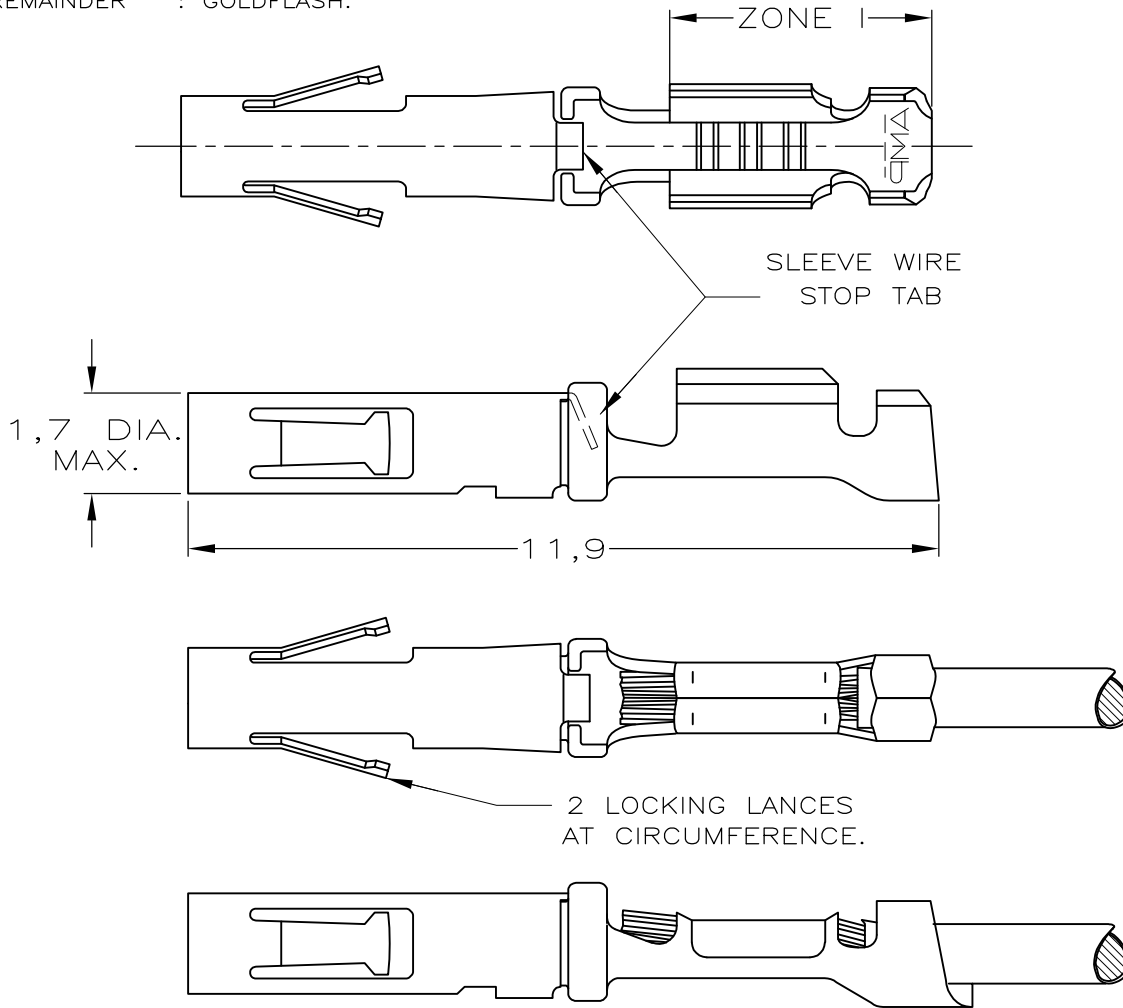


DIMENSIONS IN mm

NOTES:

- ① FOR STRIP VERSION SEE DWG. 164155.
- ② UNDERCOATING: 1,3µm Ni.  
SELECTIVE : 0,8µm Au.  
ZONE I : BRIGHT TIN/LEAD PLATED.
- ③ UNDERCOATING: 1,3µm Ni.  
SELECTIVE : 0,8µm Au.  
REMAINDER : GOLDFLASH.

④ OBSOLETE PARTS: OBSOLETE CIS STREAMLINING PER D.RENAUD/D.SINISI



WIRE RANGE :  
30-26 AWG 0,05-0,14 mm<sup>2</sup>  
INSULATION RANGE :  
1,22 DIA. MAX.

STAINLESS STEEL	SEE NOTE ②	BRASS	164170-4									
	PRETINNED		164170-3									
	POST TINPLATED		164170-2 ④									
	SEE NOTE ③		164170-1									
MATERIAL OF SLEEVE	PLATING OF BODY	MATERIAL OF BODY	PARTNUMBER									
—	—	—	CUSTOMER DRAWING FOR REFERENCE ONLY WILL NOT BE UPDATED									
—	—	—	© COPYRIGHT 19 — BY AMP HOLLAND B.V. ALL INTERNATIONAL RIGHTS RESERVED. AMP PRODUCTS MAY BE COVERED BY U.S. AND FOREIGN AND/OR PATENTS PENDING. THIS DRAWING IS UNPUBLISHED RELEASED FOR PUBLICATION —,19—									
—	—	—	<b>AMP</b>   AMP HOLLAND B.V. 's-Hertogenbosch, The Netherlands.									
E1	REVISED PER ECO-09-020689	KK	AEG	24AUG09								
E	EH-0077-92	JvL	CvT	04-03-94								
LTR.	REVISION RECORD	DR.	CHK.	DATE								
DR.:	J.v.LIEMPT	CHK.:	C.v.TILBURG	APP.:	L.v.SOEST	DWG.No.	164170	REV.LTR.	E1	SHEET	1 OF 1	A4
DATE:	6 JAN 1993	DATE:	08-02-93	DATE:	08-02-93							