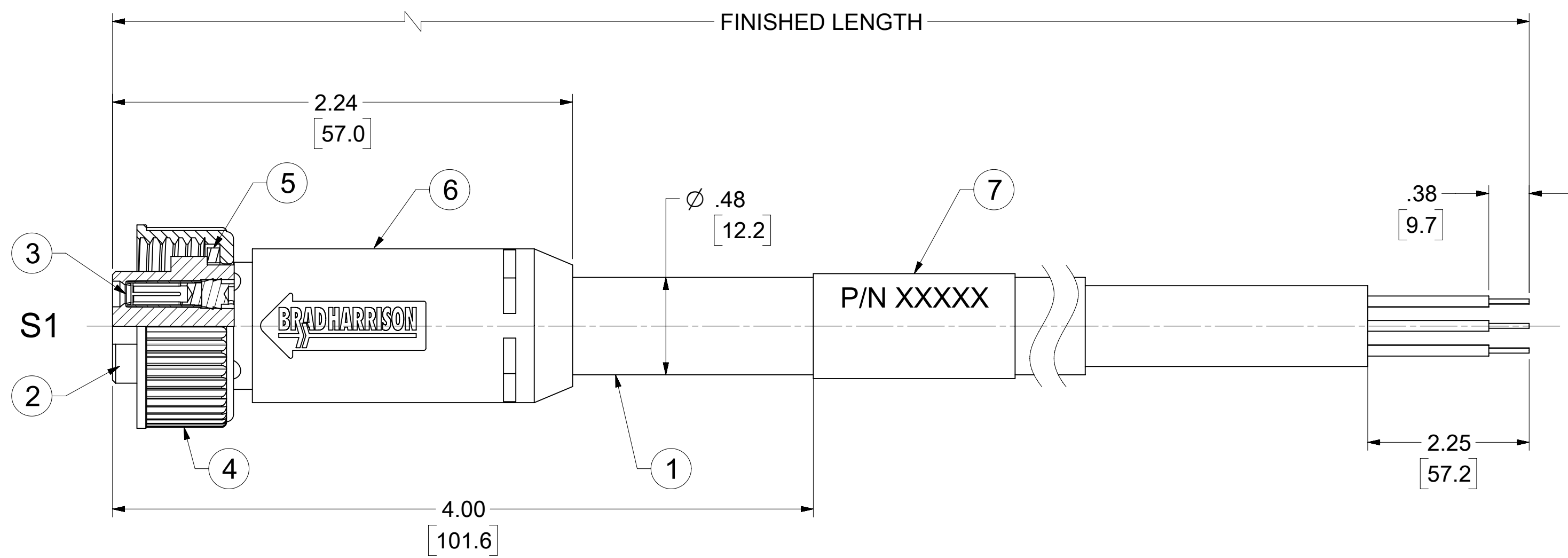
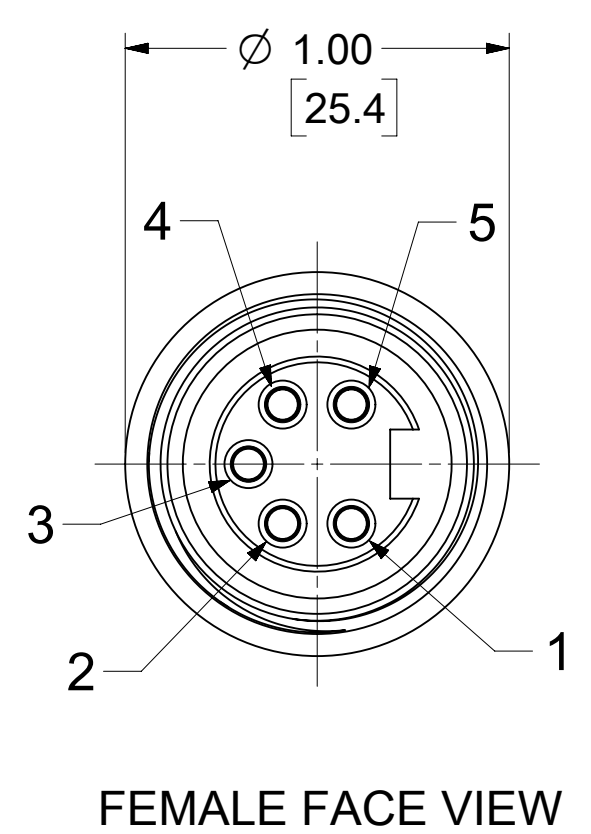
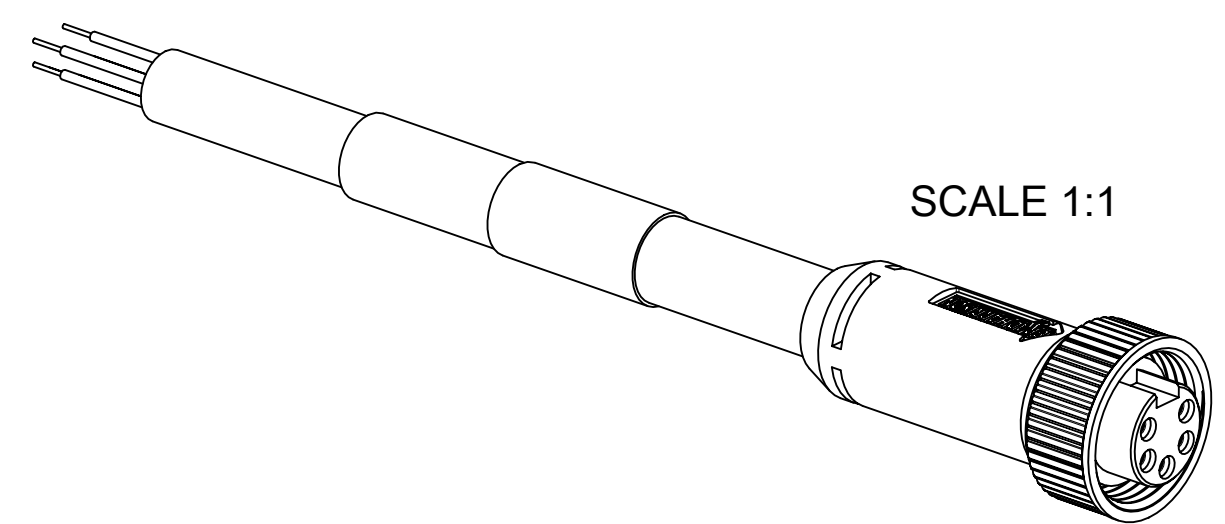


MATERIAL NO.	ENGINEERING NO.	FINISHED LENGTH
1300240073	DN10A-M010	1 M (3 FT 3.37 IN)
1300240078	DN10A-M030	3 M (9 FT 10.11 IN)
1300240080	DN10A-M050	5 M (16 FT 4.85 IN)

CABLE LENGTH TOLERANCES
<.3M [1FT]: +19mm-0 [+.75in-0]
.3 - .9M [1 - 3FT]: +44.5mm-0 [+1.75in-0]
.9 - 1.8M [3 - 6FT]: +55.6mm-0 [+2.19in-0]
1.8 - 3.7M [6 - 12FT]: +88.9mm-0 [+3.50in-0]
3.7 - 7.3M [12 - 24FT]: +165.1mm-0 [+6.50in-0]
7.3-14.6M [24 - 48FT]: +317.5mm-0 [+12.50in-0]
14.6 - 30.5M [48-100FT]: +622.3mm-0 [+24.50in-0]
OVER 30M [100FT] +2% OF FINISHED LENGTH



- NOTES:**
- MATERIAL: AS NOTED
 - FINISH: AS NOTED
 - ELECTRICAL:
VOLTAGE RATING: 300V
CURRENT: 4A
 - TEMP RATING: -20°C TO +80°C (B)
 - PROTECTION: IP67 (WHEN MATED) (B)
 - CSA CERTIFIED FILE: LR6837 (B)
UL RECOGNIZED FILE: E152210
 - COUPLING THREAD: 7/8-16UN
 - ALL DIMS ARE FOR REFERENCE UNLESS TOLERANCED OR NOTED OTHERWISE

WIRING DIAGRAM

S1	DESCRIPTION
1	DRAIN
2	RED +V
3	BLACK -V
4	WHITE CAN H
5	BLUE CAN L

PART NUMBER LEGEND (B)

DN10A-M010

FINISHED LENGTH
M005= 0.5 M
M010= 1 M
M100= 10M

ITEM	DESCRIPTION	MATERIAL	FINISH
7	WRAP LABEL	VINYL	BLACK/YELLOW
6	OVERMOLD	TPE	GRAY
5	FRICITION RING	NYLON	WHITE
4	COUPLING NUT	ZINC DIE CAST	BLACK E-COAT
3	SOCKET CONTACT	Cu ALLOY	GOLD OVER NICKEL
2	FEMALE INSERT	TPE	BLACK
1	CABLE, DEV-NET, TRUNK, 18-2, 15-2	PVC JACKET	GRAY
ITEM	DESCRIPTION	MATERIAL	FINISH

FUNCTIONAL SYMBOLS	THIS DRAWING CONTAINS INFORMATION THAT IS PROPRIETARY TO MOLEX ELECTRONIC TECHNOLOGIES, LLC AND SHOULD NOT BE USED WITHOUT WRITTEN PERMISSION										
	DIMENSION UNITS		SCALE		CURRENT REV DESC: UPDATED ITEM #2.6 WERE PVC & MATERIAL P/N TABLE. REMOVED ADDN. SOCKET TO AVOID DUPLICATION, ADDED CSA, UL, TEMP RATING, IP RATING, TOL. CHART & PART NUMBER LEGEND						
	INCH/MM		2:1		EC NO: 698297						
	GENERAL TOLERANCES (UNLESS SPECIFIED)										
DIVISIONAL SYMBOLS	4 PLACES		±	±	DRWN: AKABADI 2021/10/13						
	3 PLACES		±	±	CHK'D: RSTONE 2022/03/16						
	2 PLACES		±	±	APPR: BWOODMAN 2022/03/26						
	1 PLACE		±	±	INITIAL REVISION:						
0 PLACES		±	±	DRWN: RSTONE 2009/04/24							
ANGULAR TOL		±	°	APPR: JFMURPHY 2009/05/14							
DRAFT WHERE APPLICABLE MUST REMAIN WITHIN DIMENSIONS				THIRD ANGLE PROJECTION		DRAWING		SERIES		DOCUMENT NUMBER	
				C-SIZE		130024		SD-130024-003		PSD 001 B	
								MATERIAL NUMBER		CUSTOMER	
								SEE TABLE		GENERAL MARKET	
										SHEET NUMBER	
										1 OF 1	