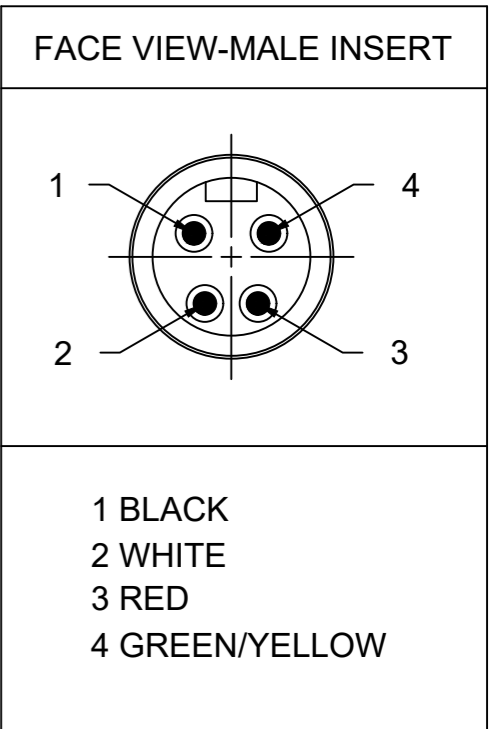
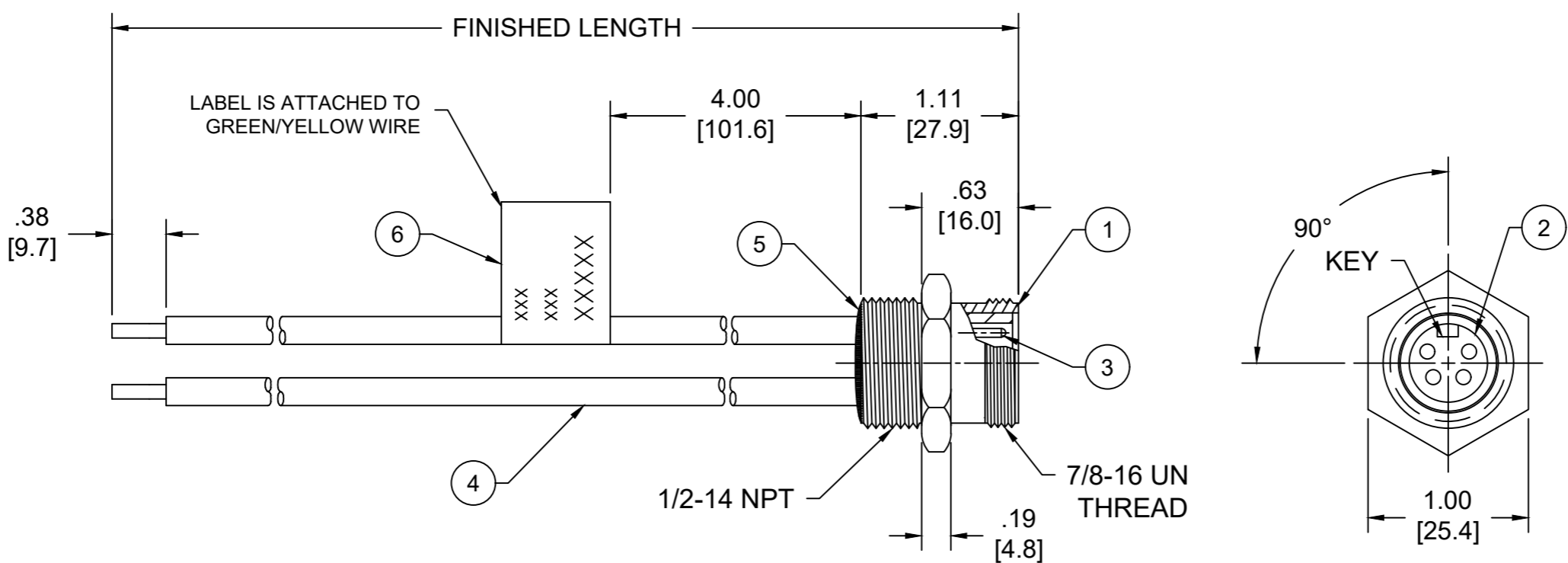
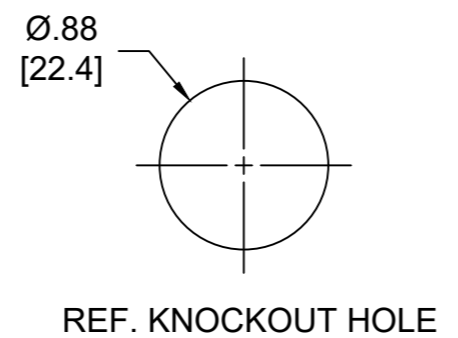


PART NO	ENGINEERING NO.	FINISHED LENGTH
1300131121	1R4S06A20A120G	12IN [1 FT]



NOTES:

1. MATERIAL: AS NOTED
2. FINISH: AS NOTED
3. ELECTRICAL:
VOLTAGE: 483V PER IEC60664 (B)
600V PER UL2237
CURRENT: 10A
4. TEMP RATING: -20°TO +105°C
5. PROTECTION: IP67 (WHEN MATED)
6. ALL DIMENSIONS ARE FOR REFERENCE
UNLESS TOLERANCED OR NOTED OTHERWISE



(B) PART NUMBER LEGEND
1R4S06A20A120G
 FINISHED LENGTH:
 A060= 6 IN
 A120= 12 IN

(B) CABLE LENGTH TOLERANCES

<.3M [1FT]:	+19mm-0 [+.75in-0]
.3 - .9M [1 - 3FT]:	+44.5mm-0 [+1.75in-0]
.9 - 1.8M [3 - 6FT]:	+55.6mm-0 [+2.19in-0]
1.8 - 3.7M [6 - 12FT]:	+88.9mm-0 [+3.50in-0]
3.7 - 7.3M [12 - 24FT]:	+165.1mm-0 [+6.50in-0]
7.3-14.6M [24 - 48FT]:	+317.5mm-0 [+12.50in-0]
14.6 - 30.5M [48-100FT]:	+622.3mm-0 [+24.50in-0]
OVER 30M [100FT]:	+2% OF FINISHED LENGTH

6	FLAG LABEL	VINYL	BLACK/YELLOW
5	POTTING MATERIAL	EPOXY	
4	WIRE, 16 AWG (UL1015)	PVC INSULATION	SEE FACE VIEW
3	CONTACT PIN	COPPER ALLOY	GOLD OVER NICKEL
2	MALE INSERT	TPE	BLACK
1	RECEPTACLE SHELL	ZINC DIE-CAST	BLACK-E-COAT
ITEM	DESCRIPTION	MATERIAL	FINISH

FUNCTIONAL SYMBOLS F=0 E=0 P=0	THIS DRAWING CONTAINS INFORMATION THAT IS PROPRIETARY TO MOLEX ELECTRONIC TECHNOLOGIES, LLC AND SHOULD NOT BE USED WITHOUT WRITTEN PERMISSION		CURRENT REV DESC: ITEM #2 WAS PVC. ADDED PLOTTING MATERIAL, IEC VOLTAGE, PN LEGEND & TOL CHART. MODIFIED PN CHART.		molex	
	DIMENSION UNITS	SCALE				
	INCH/MM	NTS	EC NO: 698297		PRODUCT CUSTOMER DRAWING	
	GENERAL TOLERANCES (UNLESS SPECIFIED)		DRWN: ABENJAMINLW 2021/06/01		DOCUMENT NUMBER	
4 PLACES ±----		CHK'D: RSTONE 2022/03/16		SD-130013-119		
3 PLACES ±----		APPR: BWOODMAN 2022/03/26		DOC TYPE/DOC PART/REVISION		
2 PLACES ±----		INITIAL REVISION:		PSD 001 B		
1 PLACE ±----		DRWN: RSTONE 2016/04/11		MATERIAL NUMBER		
0 PLACES ±----		APPR: KJOZWIK 2016/04/15		CUSTOMER		
ANGULAR TOL ± ---- °		DRAWING		GENERAL MARKET		
DRAFT WHERE APPLICABLE MUST REMAIN WITHIN DIMENSIONS		THIRD ANGLE PROJECTION		SHEET NUMBER		
		B-SIZE 130013		1 OF 1		