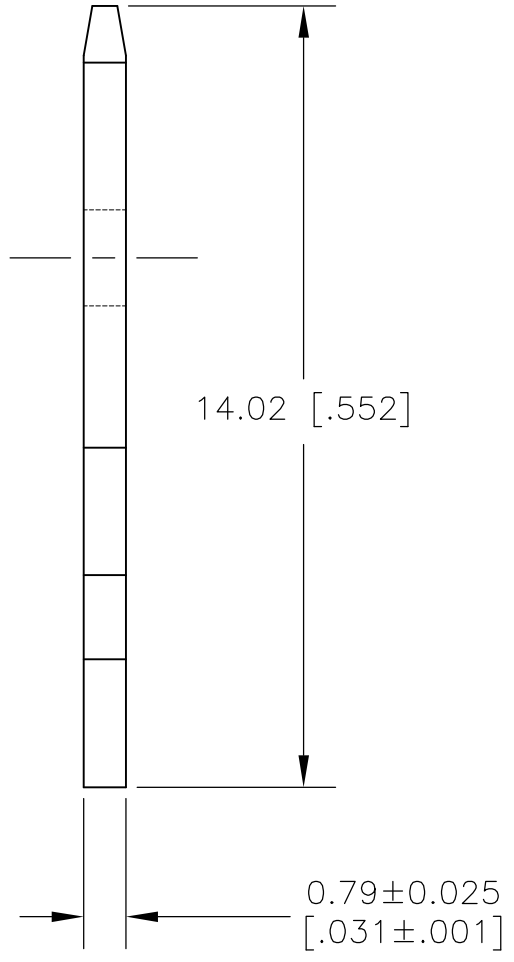
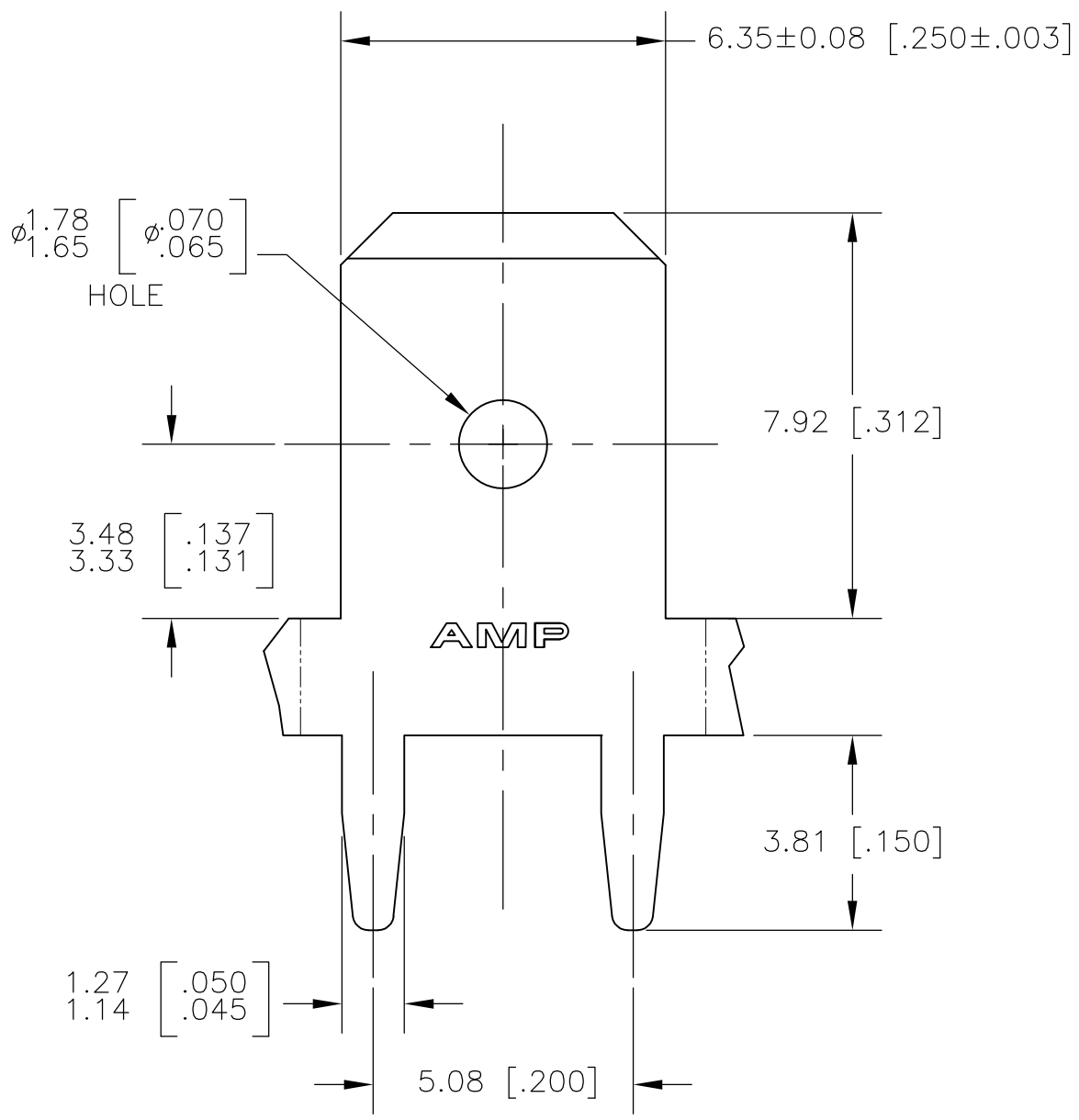
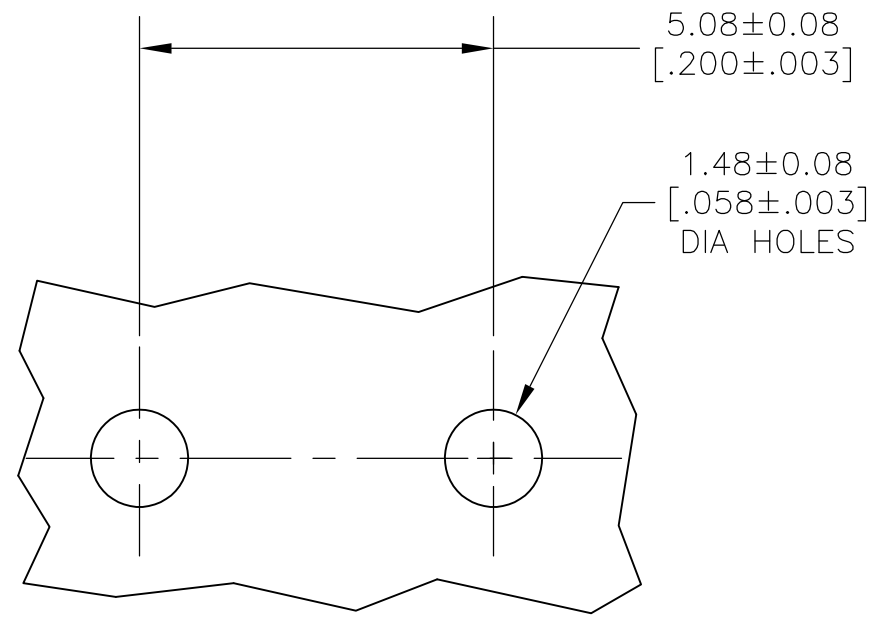


LOC	DIST	REVISIONS					
AF	50	P	LTR	DESCRIPTION	DATE	DWN	APVD
		E		REVISED PER ECR-13-001204	29JUN13	KH	PD



- 1 CONTINUOUS STRIP ON REELS.
- 2 0.00381 [.000150] MIN TIN OVER
0.00254 [.000100] MIN THK COPPER
OR
0.00381 [.000150] MIN TIN OVER
0.00127 [.000050] MIN NICKEL
- 3 FEED IS 7.92±0.076 [.312±.003]



P.C. BOARD HOLES
SCALE 10:1

1217539-1
PART NUMBER

THIS DRAWING IS A CONTROLLED DOCUMENT.		DWN	JR RUTH	14NOV00	TE Connectivity			
DIMENSIONS: mm [INCHES]		CHK	MS FEHER	14NOV00				
		APVD	G PORTA	14NOV00				
		PRODUCT SPEC						
TOLERANCES UNLESS OTHERWISE SPECIFIED:		APPLICATION SPEC			NAME			
0 PLC ± - 1 PLC ± - 2 PLC ± 0.25 [.010] 3 PLC ± - 4 PLC ± - ANGLES ± -		114-2115			TAB, FASTON, PC BOARD, 6.35 [.250] SERIES			
MATERIAL		WEIGHT			SIZE	CAGE CODE	DRAWING NO	RESTRICTED TO
BRASS		-			A3	00779	C-1217539	-
FINISH		CUSTOMER DRAWING			SCALE	SHEET	REV	
TIN OVER COPPER					8:1	1 OF 1	E	