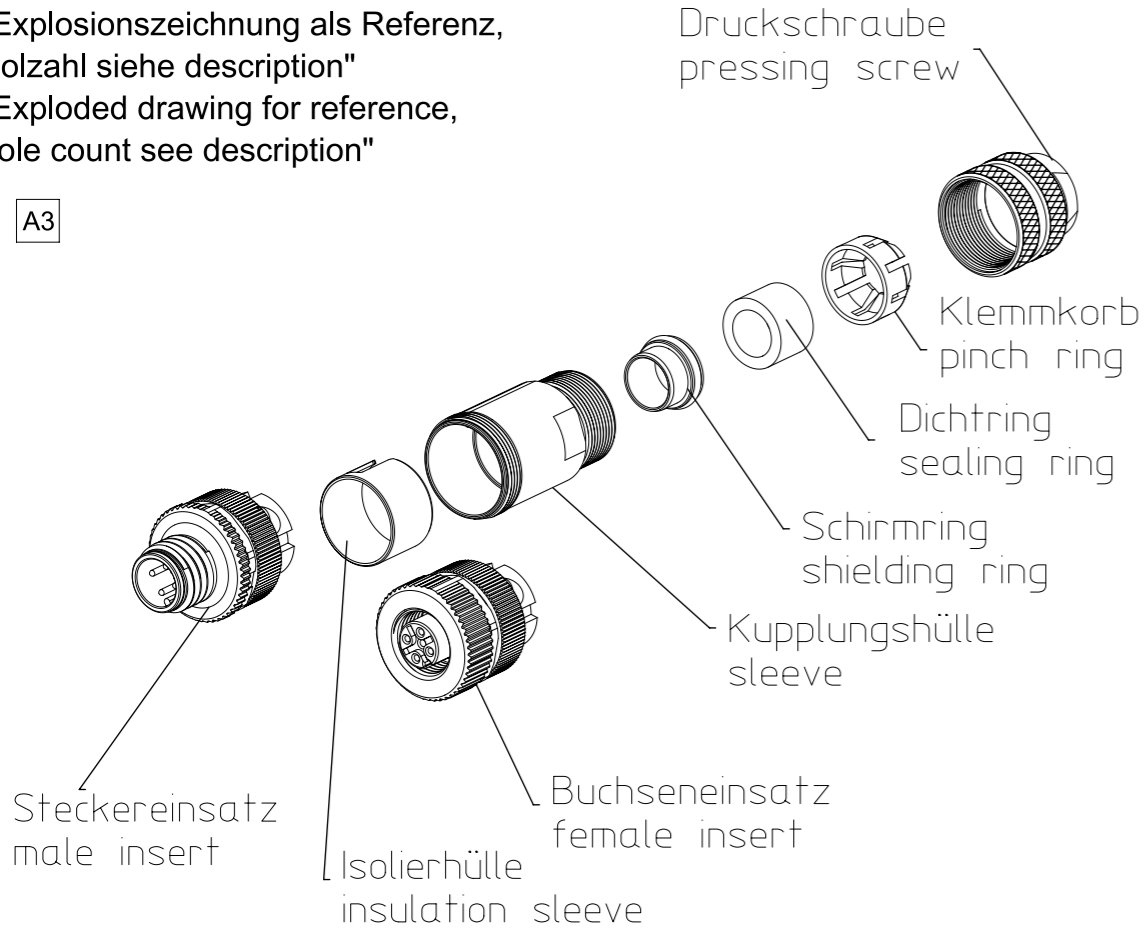


"Explosionszeichnung als Referenz,  
Polzahl siehe description"  
"Exploded drawing for reference,  
pole count see description"

A3

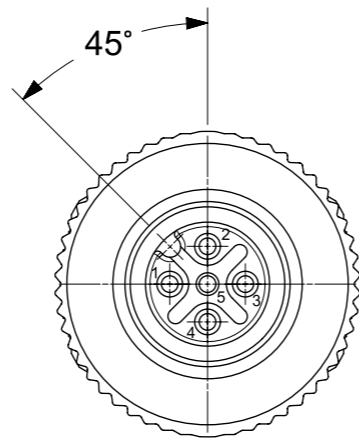


CHANGES SEE  
REVISION MARKING A3

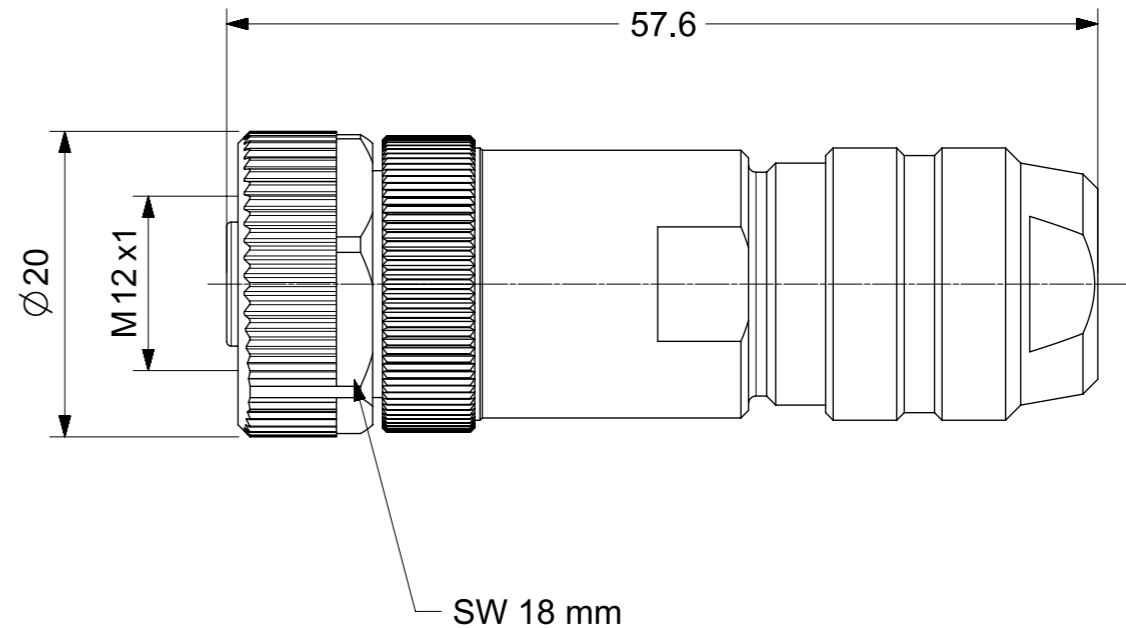
NOTES

NOTES:

- 1: LOCKING SYSTEM: SCREW  
WIRE GAUGE: 0.75mm<sup>2</sup>  
CABLE OUTLET: 6 - 8mm
2. ELECTRICAL DATA:  
CURRENT RATING: 4A  
VOLTAGE RATING: 60V
3. MECHANICAL:  
OPERATING TEMP.: -40°C to +85°C  
PROTECTION CLASS: IP67
4. MATERIAL:  
CONTACT: CuZn (BRASS)  
CONTACT PLATING: Au (GOLD)  
HOUSING: zinc die cast  
COUPLING NUT: CuZn (BRASS)



PRE-RELEASE  
REFERENCE  
USE ONLY



ENG.-NO: 8A5S00-32

THIS DRAWING CONTAINS INFORMATION THAT IS PROPRIETARY TO MOLEX ELECTRONIC TECHNOLOGIES, LLC AND SHOULD NOT BE USED WITHOUT WRITTEN PERMISSION

<b>QUALITY SYMBOLS</b> FA = 0 FE = 0 FP = 0 FV = 0 FC = 0 FX = 0 FS = 0 FT = 0	EC NO: 107393 DRWN: LRAMAMURTHY CHK'D: APPR:	2016/08/10 GENERAL TOLERANCES (UNLESS SPECIFIED) ANGULAR TOL ± 1.0 ° 4 PLACES ± 3 PLACES ± 2 PLACES ± 0.05 1 PLACE ± 0.3 0 PLACES ± 0.5 DRAFT WHERE APPLICABLE MUST REMAIN WITHIN DIMENSIONS	DIMENSION UNITS: MM SCALE: 2:1 DRWN BY: MSCHWARZ DATE: 2015/07/06 CHK'D BY: DATE: APPR BY: DATE:	<b>molex®</b> FA M12 5P AC FE STR SCR SHLD PRODUCT CUSTOMER DRAWING		
	EC NO: 107393 DRWN: LRAMAMURTHY CHK'D: APPR:	EC NO: 107393 DRWN: LRAMAMURTHY CHK'D: APPR:	EC NO: 107393 DRWN: LRAMAMURTHY CHK'D: APPR:	EC NO: 107393 DRWN: LRAMAMURTHY CHK'D: APPR:	SERIES: 120071 MATERIAL NUMBER: 1200710081 CUSTOMER: GENERAL MARKET	DOCUMENT NUMBER: 1200710081 DOC TYPE: PSD DOC PART: 000 SHEET NUMBER: 1 OF 1
	EC NO: 107393 DRWN: LRAMAMURTHY CHK'D: APPR:	EC NO: 107393 DRWN: LRAMAMURTHY CHK'D: APPR:	EC NO: 107393 DRWN: LRAMAMURTHY CHK'D: APPR:	EC NO: 107393 DRWN: LRAMAMURTHY CHK'D: APPR:	SERIES: 120071 MATERIAL NUMBER: 1200710081 CUSTOMER: GENERAL MARKET	DOCUMENT NUMBER: 1200710081 DOC TYPE: PSD DOC PART: 000 SHEET NUMBER: 1 OF 1
	EC NO: 107393 DRWN: LRAMAMURTHY CHK'D: APPR:	EC NO: 107393 DRWN: LRAMAMURTHY CHK'D: APPR:	EC NO: 107393 DRWN: LRAMAMURTHY CHK'D: APPR:	EC NO: 107393 DRWN: LRAMAMURTHY CHK'D: APPR:	SERIES: 120071 MATERIAL NUMBER: 1200710081 CUSTOMER: GENERAL MARKET	DOCUMENT NUMBER: 1200710081 DOC TYPE: PSD DOC PART: 000 SHEET NUMBER: 1 OF 1