

注) NOTES

1.材質

MATERIAL  
 ハウジング: ガラス入りPPS、茶色、UL94V-0  
 HOUSING: G.F.PPS, BROWN, UL94V-0  
 ターミナル: 銅合金 (t=0.2)  
 TERMINAL: COPPER ALLOY  
 フィッティングネイル: 銅合金 (t=0.2)  
 FITTING NAIL: COPPER ALLOY  
 吸着カバー: ステンレス (t=0.2)  
 VACUUM COVER: STAINLESS STEEL

2.メッキ仕様  
 PLATING

ターミナル TERMINAL  
 接点部: 金メッキ 0.25μmMIN.  
 CONTACT AREA: GOLD 0.25μmMIN.  
 半田付け部: 錫メッキ 1.0μmMIN.  
 SOLDER TAIL AREA: TIN 1.0μmMIN.  
 下地メッキ: ニッケルメッキ 1.5μmMIN.  
 UNDER-PLATING: NICKEL 1.5μmMIN.

フィッティングネイル FITTING NAIL  
 錫メッキ 1.0μmMIN.  
 TIN 1.0μmMIN.  
 下地メッキ: ニッケルメッキ 1.0μmMIN.  
 UNDER-PLATING: NICKEL 1.0μmMIN.

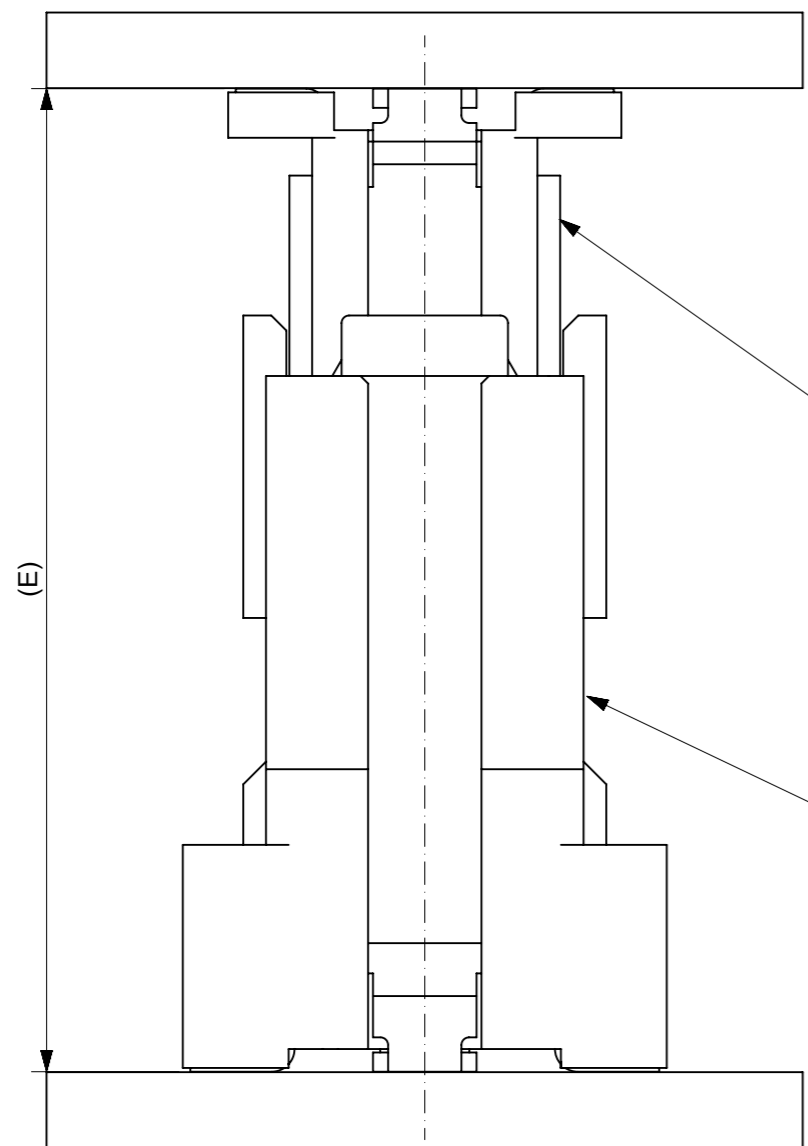
3.テールのバラツキ寸法

TAIL COPLANARITY  
 テール平坦度は、0.1MAX.とする。  
 TAIL COPLANARITY TO BE 0.1MAX.

4.本製品は 53649-\*\*\*2の鉛フリー品である。  
 THIS PRODUCT IS LEAD FREE OF 53649-\*\*\*2

無し WITHOUT	47.42	46.32	43.815	51.32	53649-1474	140
	34.72	33.62	31.115	38.62	53649-1074	100
	28.37	27.27	24.765	32.27	53649-0874	80
有り WITH	22.02	20.92	18.415	25.92	53649-0674	60
	15.67	14.57	12.065	19.57	53649-0474	40
	12.5	11.4	8.89	16.4	53649-0374	30
ハウジングロック HSG LOCK	D	C	B	A	エンボス梱包 EMBOSSED PACKAGE オーダー番号 ORDER NO.	極数 CKT

GENERAL TOLERANCES (UNLESS SPECIFIED)		THIS DRAWING CONTAINS INFORMATION THAT IS PROPRIETARY TO MOLEX ELECTRONIC TECHNOLOGIES, LLC AND SHOULD NOT BE USED WITHOUT WRITTEN PERMISSION	
10 UNDER	± 0.2	DIMENSION UNITS	SCALE
10 OVER 30 UNDER	± 0.25	mm	1:1
30 OVER	± 0.3	GENERAL TOLERANCES (UNLESS SPECIFIED)	
ANGULAR ± 3 °		ANGULAR TOL ± 30 °	
DRAFT WHERE APPLICABLE MUST REMAIN WITHIN DIMENSIONS		CURRENT REV DESC:	
		EC NO: 647727	
		DRWN: AHMADI2 2020/10/26	
		CHK'D: HSHIMOYAMA 2020/10/26	
		APPR: SHOSHIKAWA 2020/10/26	
		INITIAL REVISION:	
		DRWN: MNABEI 2004/03/04	
		APPR: MSASAO 2004/03/08	
		THIRD ANGLE PROJECTION	DRAWING
		⊕	A3-SIZE
		SERIES	53649
		MATERIAL NUMBER	GENERAL MARKET
		CUSTOMER	1 OF 2
		DOCUMENT NUMBER	SD-53649-004
		DOC TYPE	PSD
		DOC PART	001
		REVISION	J



55091 series  
53625 series  
53647 series  
53649 series  
53627 series  
Plug

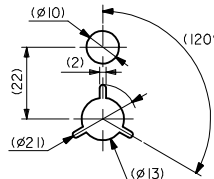
52885 series  
52901 series  
Receptacle

嵌合高さ一覧 Stacking Height variation			
	6	52885 series	55091 series
	7		53625 series
	8		53647 series
○	9		53649 series
	10		53627 series
	12	52901 series	55091 series
	13		53625 series
	14		53647 series
○	15		53649 series
	16		53627 series
本図製品該当高さ Height Application	嵌合高さ E Stacking Height	リセプタクル Receptacle	プラグ Plug

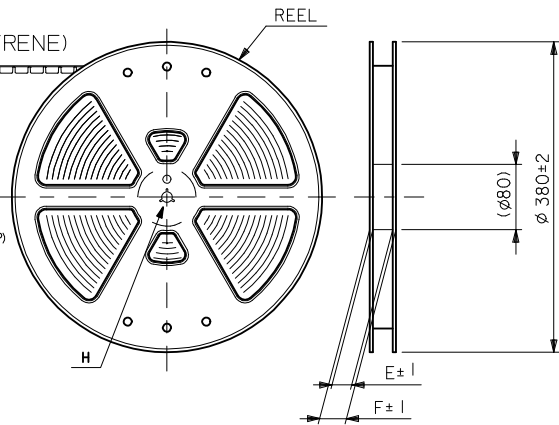
GENERAL TOLERANCES (UNLESS SPECIFIED)		THIS DRAWING CONTAINS INFORMATION THAT IS PROPRIETARY TO MOLEX ELECTRONIC TECHNOLOGIES, LLC AND SHOULD NOT BE USED WITHOUT WRITTEN PERMISSION	
10 UNDER	± 0.2	DIMENSION UNITS mm	SCALE 1:1
10 OVER 30 UNDER	± 0.25	CURRENT REV DESC:	
30 OVER	± 0.3	EC NO: 647727 DRWN: AHMADI2 CHK'D: HSHIMOYAMA APPR: SHOSHIKAWA	
ANGULAR	± 3 °	2020/10/26 2020/10/26 2020/10/26	
DRAFT WHERE APPLICABLE MUST REMAIN WITHIN DIMENSIONS		INITIAL REVISION: DRWN: MNABEI APPR: MSASAO	
		2004/03/04 2004/03/08	
		THIRD ANGLE PROJECTION	
		DRAWING A3-SIZE	
		SERIES 53649	
		MATERIAL NUMBER CUSTOMER	
		SD-53649-004 GENERAL MARKET	
		DOC TYPE DOC PART REVISION PSD 001 J	
		SHEET NUMBER 2 OF 2	

140極に対応(ブラリール)  
FOR 140 CKT (REEL:POLYSTYRENE)

引き出し方向  
PULL OUT DIRECTION

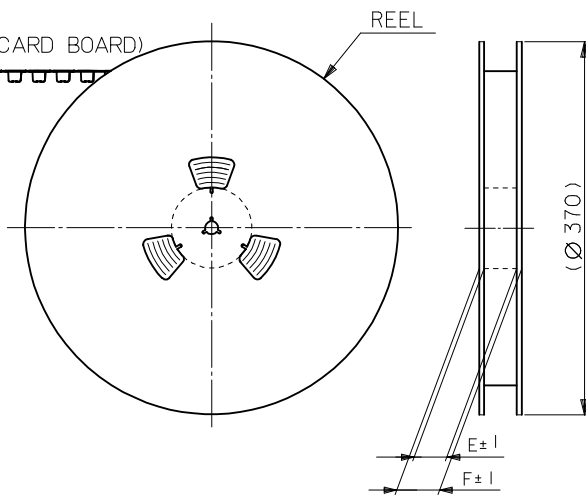


DETAIL H



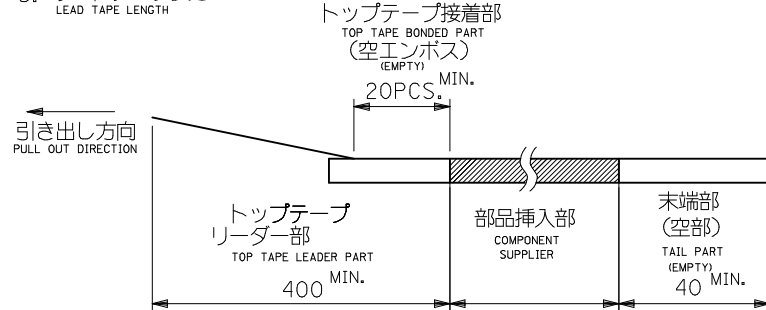
30,40,60,80,100極に対応(紙リール)  
FOR 30,40,60,80,100 CKT (REEL:CARD BOARD)

引き出し方向  
PULL OUT DIRECTION



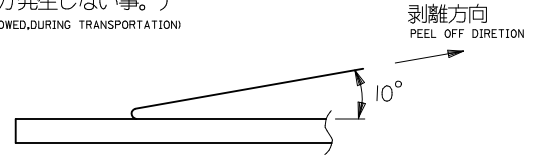
注)  
NOTES

- 製品番号 53649-\*\*\*72 の詳細寸法については、SD-53649-004 を参照下さい。  
IN THE PACKAGE , PART NO. 53649-\*\*\*72 DETAILED DIMENSIONS , SEE SD-53649-004
- 梱包数量 : 760 個/リール  
NUMBER OF CONNECTORS : 760 PCS/REEL
- リードテープ長さ  
LEAD TAPE LENGTH



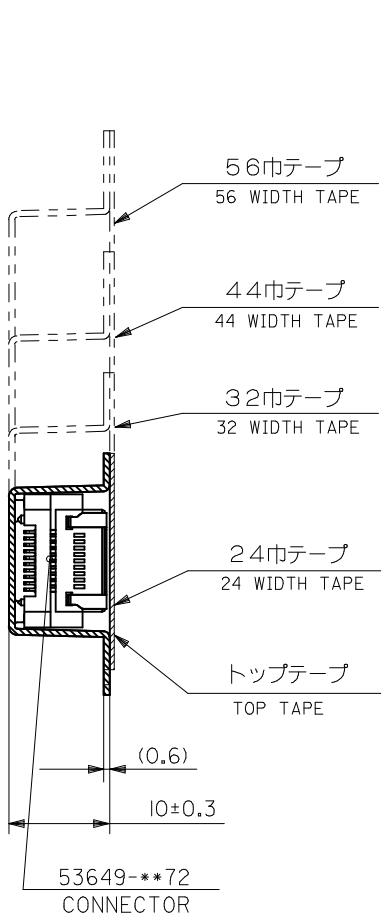
- トップテープの剥離強度 (剥離方向は下図参照)  
PEELING OFF FORCE OF TOP TAPE (PEELING DIRECTION AS SHOWN IN FOLLOWING FIG.)  
0.1 - 1.3 N (30,40,60,80,100CKT)  
0.1 - 1.5 N (140CKT)  
尚、本規格値は、出荷時に適用。  
THIS REQUIREMENT SHOULD BE APPLIED AT SHIPMENT  
(但し、輸送時に剥離が発生しない事。)  
(PEEL OFF SHOULD NOT BE ALLOWED,DURING TRANSPORTATION)

引き出し方向  
PULL OUT DIRECTION

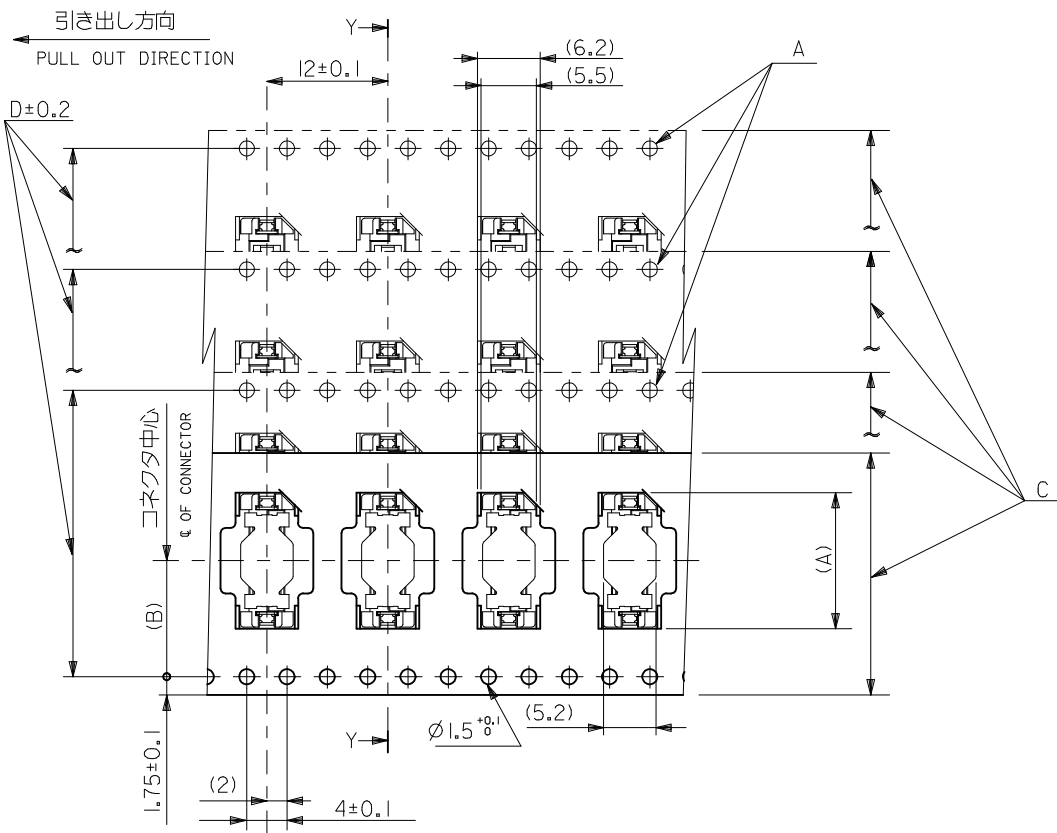


- 材料  
MATERIAL  
キャリアテープ : ポリプロピレン (PP)  
CARRIER TAPE : POLYPROPYLENE (PP)  
トップテープ : PET, PE, PEF  
TOP TAPE : PET, PE, P-F  
リール : 紙 (30,40,60,80,100極) ポリスチレン (140極)  
REEL : CARDBOARD(FOR 30,40,60,80,100CKT) POLYSTYRENE(140CKT)
- 本製品は 53649-\*\*\*4 の鉛フリー品である。  
THIS PRODUCT IS LEAD FREE OF 53649-\*\*\*4

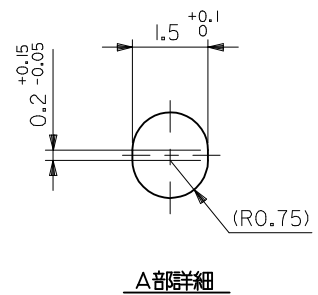
REVISED EC NO.: J2013-1013 2013/03/14 DRWK:TOYODA 2013/03/15 CHKD:TASAKAWA 2013/03/27 APPR:MSASAO	DESCRIPTION 10 UNDER 10 OVER 30 UNDER 30 OVER ANGULAR ±--- ° DRAFT WHERE APPLICABLE MUST REMAIN WITHIN DIMENSIONS	GENERAL TOLERANCES (UNLESS SPECIFIED)		DIMENSION STYLE MM ONLY		SCALE ---	DESIGN UNITS METRIC	THIRD ANGLE PROJECTION		
		10 UNDER	±---	DRAWN BY M. NABEI	DATE '04/02/25	TITLE EMBOSSED TAPE PACKAGE FOR 53649-***72 -LEAD FREE-				
		10 OVER 30 UNDER	±---	CHECKED BY K. TOJO	DATE '04/02/25					
		30 OVER	±---	APPROVED BY M. SASAO	DATE '04/02/25					
D	REV	SIZE A3		THIS DRAWING CONTAINS INFORMATION THAT IS PROPRIETARY TO MOLEX INCORPORATED AND SHOULD NOT BE USED WITHOUT WRITTEN PERMISSION						



断面 Y-Y  
SECTION Y-Y



累積ピッチ : 40±0.2  
ACCUMULATIVE  
PITCH : 40±0.2



A部詳細

78.1	73.5	68.4	72 <sup>+0.3</sup>	34.2	51.6	53649-1474	140	
61.4	57.4	52.4	56 <sup>+0.3</sup>	26.2	38.9	53649-1074	100	
49.4	45.4	40.4	44 <sup>+0.3</sup>	20.2	32.6	53649-0874	80	
37.4	33.4	28.4	32 <sup>+0.3</sup>	14.2	26.2	53649-0674	60	
29.4	25.4	-	24 <sup>+0.3</sup>	11.5	19.9	53649-0474	40	
F	E	D	C	キャリアテープ幅 CARRIER TAPE WIDTH	(B)	(A)	MATERIAL NO.	極数 NO. OF CXTS.

MODEL NO. 53649-\*\*74

REVISED EC NO: J2013-1013 2013/03/14 DRW:KTOYODA 2013/03/14 CHK:D.TASAKAWA 2013/03/27 APPR:MSASAO	GENERAL TOLERANCES (UNLESS SPECIFIED)		DIMENSION STYLE MM ONLY		SCALE ---	DESIGN UNITS METRIC		THIRD ANGLE PROJECTION	
	10 UNDER ± ---	10 OVER 30 UNDER ± ---	30 OVER ± ---	DRAWN BY M. NABEI	DATE '04/02/25	TITLE EMBOSSED TAPE PACKAGE FOR 53649-**72 -LEAD FREE-			
	ANGULAR ± --- °			CHECKED BY K. TOJO	DATE '04/02/25	<b>molex</b>			
	DRAFT WHERE APPLICABLE MUST REMAIN WITHIN DIMENSIONS			APPROVED BY M. SASAO	DATE '04/02/25				

SEE CHART  
THIS DRAWING CONTAINS INFORMATION THAT IS PROPRIETARY TO MOLEX INCORPORATED AND SHOULD NOT BE USED WITHOUT WRITTEN PERMISSION