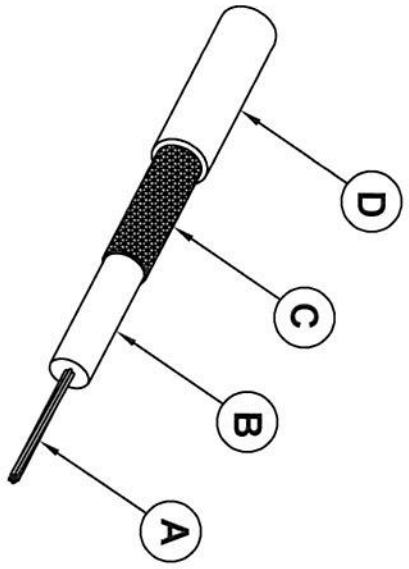


ALPHA 9851 COAXIAL CABLE SPECS



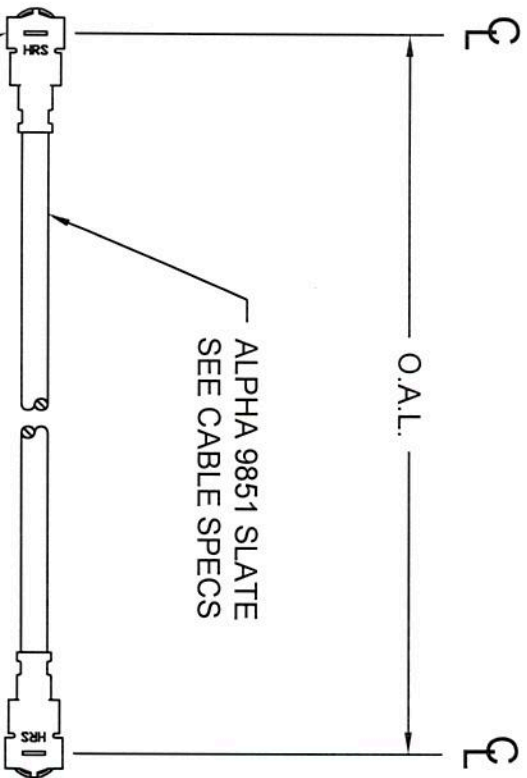
CONSTRUCTION

- A. CONDUCTOR: AWG 30 (7/38) SILVER PLATED COPPER CLAD STEEL, 0.012" NOMINAL
- B. DIELECTRIC: FEP, .033" NOMINAL DIA.
- C. SHIELD: AWG 40(1) SPC BRAIDED SHIELD
- D. JACKET: SLATE FEP, 0.006" THICK, 0.058" +/- .003"

REQUIREMENTS

- 1. IMPEDANCE: 50 +/- 2 OHMS
- 2. CAPACITANCE: 30 PF / FT NOM
- 3. VELOCITY OF PROPAGATION: 69% OF AIR NOM
- 4. ATTENUATION: 29dB/100FT NOM @ 400MHZ
49dB/100FT (EST.) @ 1GHZ
- 5. DIELECTRIC BREAKDOWN: 1,000 VOLTS

REVISIONS			
REV	DESCRIPTION	DATE	APRV



HIR H.F.L-LP-DFS111(01)
HIR H.F.L-LP
BOTH ENDS

ALPHA 9851 SLATE
SEE CABLE SPECS

D

C

B

A

1

2

3

4

D

C

B

A

CONFIDENTIAL
THIS DRAWING AND THE SPECIFICATIONS CONTAINED HEREIN ARE THE PROPERTY OF KSM ELECTRONICS INC. AND MAY NOT BE REPRODUCED OR USED IN WHOLE OR IN PART AS THE BASIS FOR MANUFACTURE OR SALE OF PRODUCTS WITHOUT WRITTEN PERMISSION OF KSM ELECTRONICS INC.

DRAWN BY: JOSHUA SALCEDO		TITILE DOUBLE ENDED H.F.L CABLE ASSEMBLY	
APPROVED BY: CHARLIE MURPHY		6630 N.W. 16TH Terrace KSM Electronics Inc. Ft. Lauderdale, FL 33309	
NOTE: THIS DRAWING INCORPORATES THIRD ANGLE PROJECTION			
SIZE A	CAGE CODE 67013	DRAWING NUMBER KSM-2897-REV-	
SCALE: NONE	WEIGHT:	SHEET 1 OF 1	

1

2

3

4