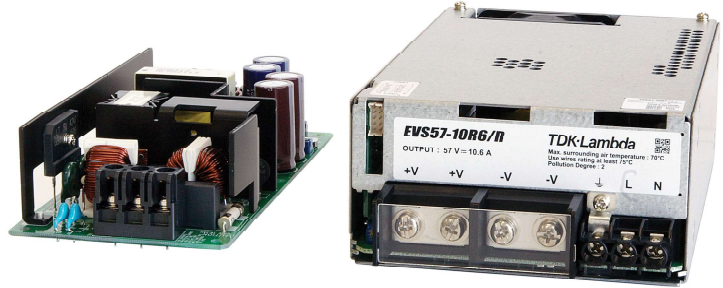


300 and 600W Constant Current Power Supplies

Features

- ◆ Universal Input (85 - 265VAC)
- ◆ Adjustable Current Settings
- ◆ Convection Cooled Rating
- ◆ Five Year Warranty
- ◆ Suitable for Battery Charging



Key Market Segments & Applications

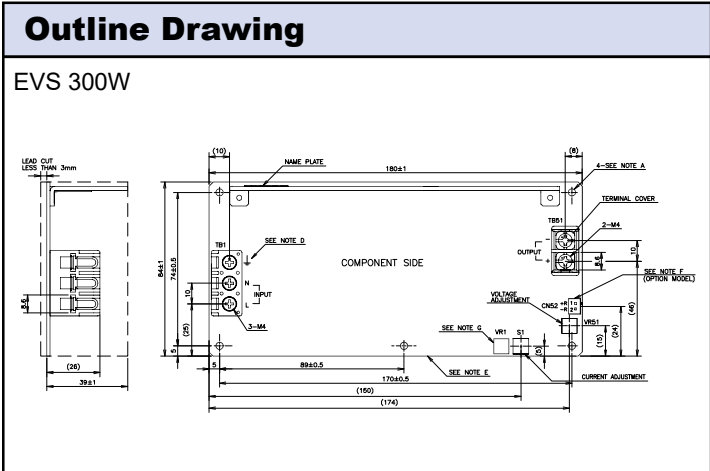


Specifications			
Model		EVS300	EVS600
Input Voltage	V	85-265VAC (47-63Hz) or 120-370VDC (1)	
Input Current (1)	A	3.6 / 1.8	
Inrush Current (2)(3)	A	15 / 30	
Power Factor	-	0.97/0.93(2). Meets EN61000-3-2	
Leakage Current	mA	0.5mA Max. Typically 0.2/0.4mA(2)	
Temperature Coefficient	%/°C	<0.02%/°C	
Constant Current Setting Accuracy	A	±10%	
Oversvoltage Protection	V	18V*: 19.8-23.4V, 36V: 39.6-46.8V, 57V: 62.7-74.1V (* EVS300 only)	
Hold Up Time (Typ)	ms	10ms at 100VAC input	
Efficiency (2)	%	18V: 86/89%, 36V: 88/91%, 57V: 87/90%	36V: 85/88%, 57V: 84/87%
Remote On/Off	-	Optional	
Series & Parallel Operation	-	Yes, see instruction manual	
Operating Temperature (No external airflow)	°C	-20 to +70°C	-20 to +70°C
Operating Temperature	°C	Derate linearly to 40% load from 45 to 70°C	Derate linearly to 20% load from 50 to 70°C
External airflow (1.4m/s)	°C	-20 to +70°C	Not applicable (EVS600 has internal fan)
Storage Temperature	°C	Derate linearly to 70% load from 60 to 70°C	
Humidity (non condensing)	%RH	-30 to +75°C	
Cooling	-	Operating: 30 - 90%RH, Storage: 10 - 90%RH	
Withstand Voltage	VAC	Convection or forced air	
Isolation Resistance	MΩ	Internal fan	
Vibration (non operating)	-	Input to Ground 2kVAC, Input to Output 3kVAC, Output to Ground 500VAC for 1 min.	
Shock	-	>100MΩ at 25°C & 70%RH, Output to Ground 500VDC	
Safety Agency Certifications	-	10 - 55Hz (1 minute sweep), 19.6m/s ² constant, X, Y, Z 1 hour each	
Conducted & Radiated EMI	-	< 196.1 m/s ²	
Immunity	-	IEC/UL/CSA/EN60950-1, IEC/UL/CSA/EN62368-1, CE Mark	
Weight (Typ)	g	EN55011/EN55022-B, FCC Class B, VCCI-B	
Size (WxHxD)	in	EN61000-4-2, -3, -4, -5, -6, -8, -11; EN61000-6-2	
	mm	540g (open frame)	1600g
		3.31 x 1.65 x 7.09	4.72 x 2.4 x 7.48
		84 x 42 x 180mm	120 x 61 x 190mm
Warranty	yrs	Five Years	

Notes:

- (1) Safety certified for AC input only. EVS300 derate linearly to 80% load from 90 to 85Vac. EVS600 derate linearly to 80% load from 110 to 85Vac
- (2) 100/200VAC
- (3) 25°C ambient (cold start)

Model Selector									
Model	Nominal Voltage Output	Adjust Range (V)	Max Current (115Vac input)	Max Current (230Vac input)	Current Adjust Range (115Vac)	Current Adjust Range (230Vac)	CV Line Reg (mV)	CV Load Reg (mV)	Ripple & Noise (mV)
EVS18-16R7	18V	12 - 18V	16.7A		8.35 - 16.70A		72	144	200
EVS36-8R4	36V	24 - 36V	8.4A		4.20 - 8.40A		144	252	250
EVS36-16R7	36V	24 - 36V	15.3A	16.7A	8.35 - 15.30A	8.35 - 16.70A	144	288	200
EVS57-5R3	57V	48 - 57V	5.3A		2.65 - 5.30A		288	285	250
EVS57-10R6	57V	48 - 57V	9.7A	10.6A	5.30 - 9.70A	5.30 - 10.60A	228	456	200



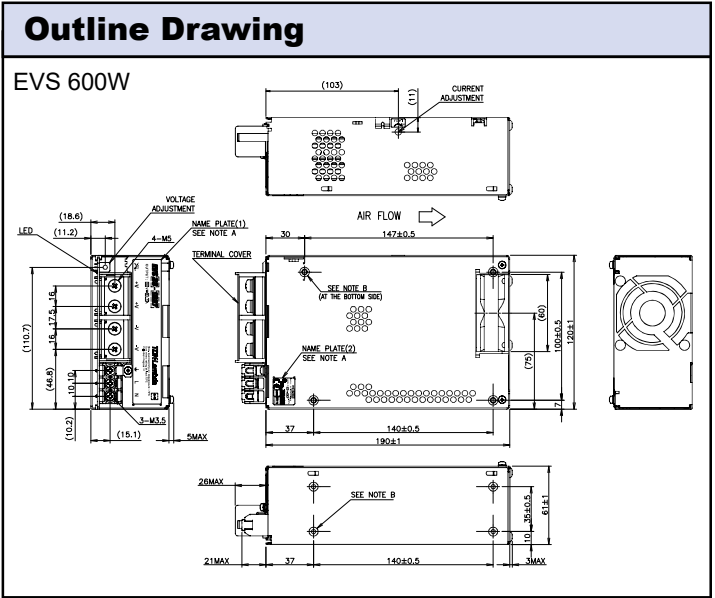
Options

Suffix	Description
-	None
/A	Cover & L Bracket (Standard on EVS600)
/R	Remote On/Off
Example	EVS57-5R3/RA

Accessory

Model	Description
RP-60-20	20A ORing Module for battery charging use

(Note: As of April 1st, 2018 the EVS-RP6020 has been renamed RP-60-20)



For Additional Information, please visit us.tdk-lambda.com/lp/products/evs-series

