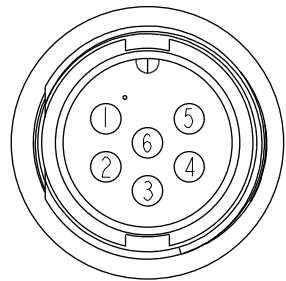
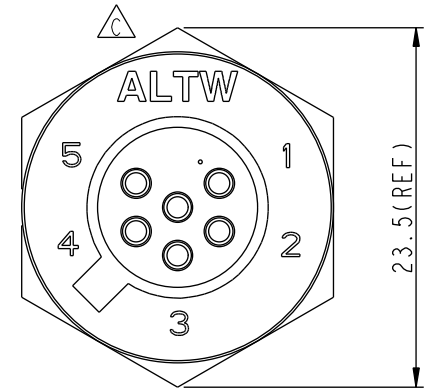
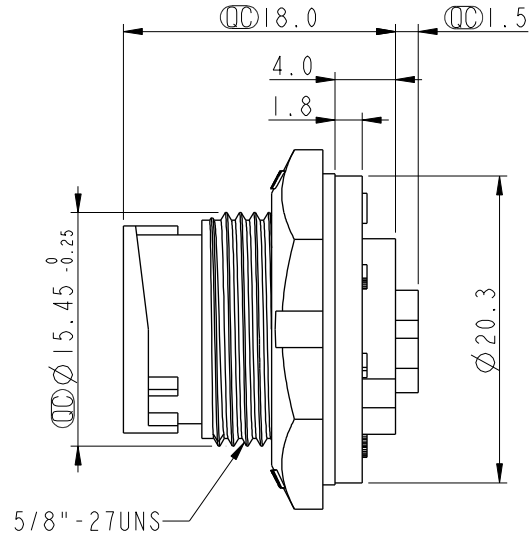
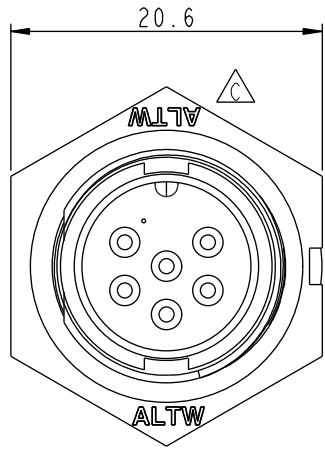
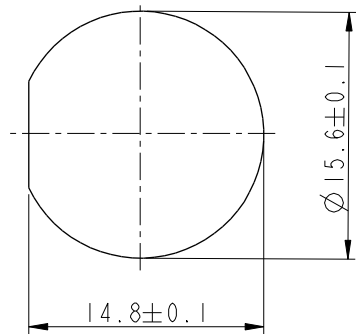


ALTW  
 CONFIDENTIAL  
 2019-02-23  
 R&D DEPT.

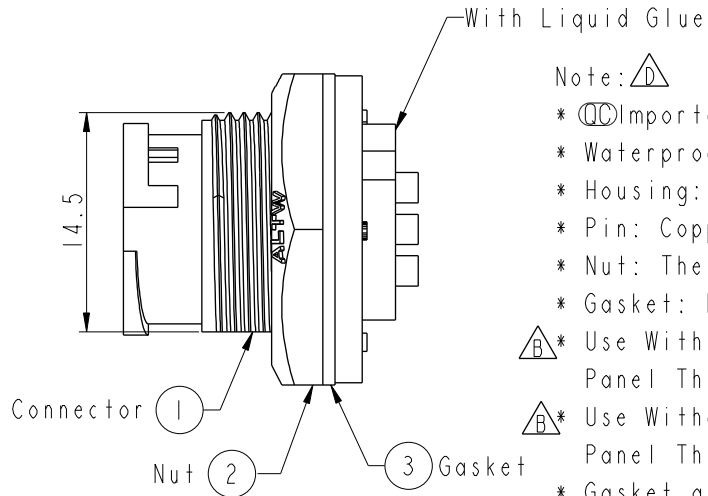
REV.	ECN NO.	DATE	SIGN	DESCRIPTION
B	LEN-8B0390	2008/09/17	Shin	Add Note
C	LEN1530179	2014/12/24	Ruru	Change Logo
D	CI90273	2019/02/23	Ruru	Modify Note



Pin Assignments  
 Front View



Recommended Panel Cut-out

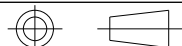


Note:  $\triangle$ D

- \*  $\text{⌀}$  Important Dimension To Check
- \* Waterproof Rate: IP67, Unmated
- \* Housing: Thermoplastic, Black
- \* Pin: Copper Alloy, Gold Plated
- \* Nut: Thermoplastic, Black
- \* Gasket: Rubber, Black

- $\triangle$ B\* Use With Waterproof Cap Or Dust Cap  
 Panel Thickness Max: 3.0mm
- $\triangle$ B\* Use Without Waterproof Cap Or Dust Cap  
 Panel Thickness Max: 4.5mm
- \* Gasket and Nut are packed separately in PE bags.

UNIT:mm



TITLE Standard Panel Lock 6Pin M Conn M Pin			
SCALE 2:1	SIZE A4	SHEET 1 OF 1	
REV. D	WC-REV. A.2	$\text{⌀}$ : Inspection item	

**Amphenol LTW**  
 安費諾亮泰企業股份有限公司

ITEM NO. BD-06PMMS-LC7001	DRAWN BY Ruru	DATE 2019-02-23
DWG NO. BD-06PMMS-LC7001	CHECKED BY Rita	DATE 2019-02-23
CUSTOMER ALTW	APPROVED BY Max	DATE 2019-02-23

THIS DOCUMENT IS SUBJECT TO CHANGE WITHOUT NOTICE. IT IS CONFIDENTIAL AND A PROPERTY OF AMPHENOL LTW. DISCLOSURE TO THIRD PARTY HAS TO BE AUTHORIZED BY AMPHENOL LTW.