

1 Products affected

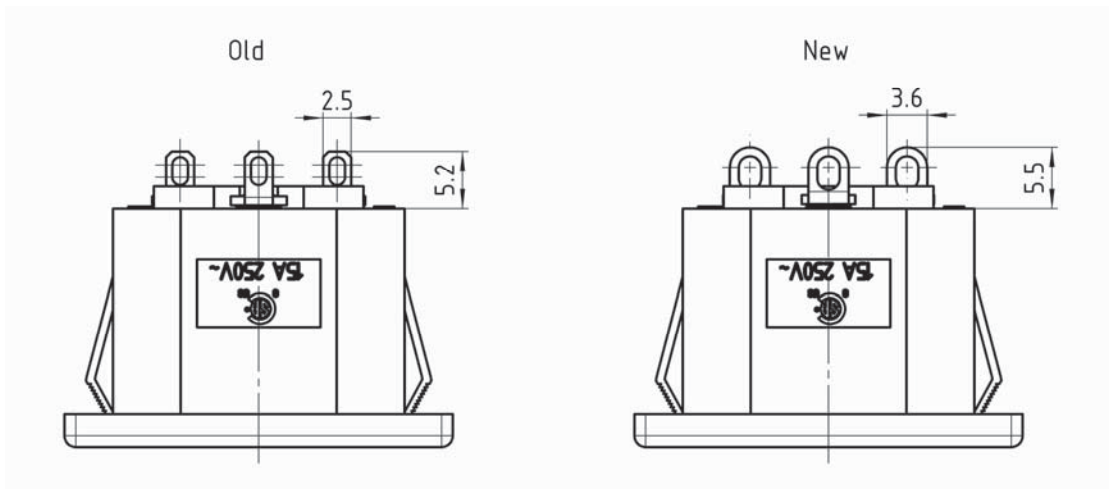
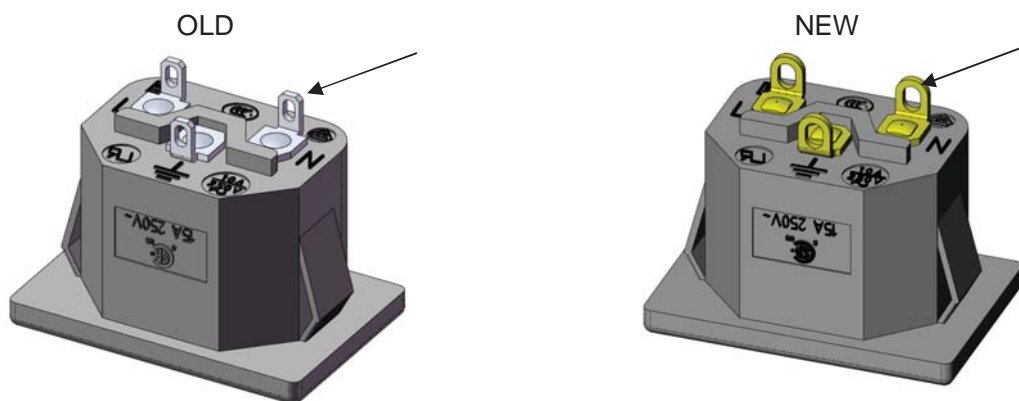
Product hierarchy no. *				Part no.	SBU	Type / Description	Customer part no.
SBU	PG	PGU	Type				
02	007	002	0000002321	6162.0003	Connectors	1061B Appliance inlet (protections class II)	
02	007	002	0000002321	6162.0005	Connectors	1061 Appliance inlet	
02	007	002	0000002321	6162.0006	Connectors	1061 Appliance inlet	
02	007	002	0000002321	6162.0135	Connectors	1061 Appliance inlet	

*SBU (2-digit) / PG (3-digit) / PGU (3-digit) / Type (10-digit)

2 Type of change

Solder terminal short 5.2x2.5 (0701.0414) change to solder terminal short 5.5x3.6 (0701.0112)

3 Detailed description of change



1061 Appliance Inlet					0118.2070	
Creation date:	Created by:	Release date:	Released by:	Notification No.	Index	Page
04.08.2011 08:19:08	hoa	15.05.2012	hoa	21996	a	1 von 2

4 Reason of change

Use of standard solder terminals

5 Released date

Release for series production

35 / 2011

6 Impact of change and recommended action

Form: Yes, new solder terminals
Fit: N/A
Function: N/A
Production Site: N/A
Product label: N/A

7 Reference Documents / Attachments

Kind of document	Document number	Remarks
Technical drawing	0100.3390	Appliance inlet
Technical drawing	0100.3399	Appliance inlet

1061 Appliance Inlet					0118.2070	
Creation date:	Created by:	Release date:	Released by:	Notification No.	Index	Page
04.08.2011 08:19:08	hoa	15.05.2012	hoa	21996	a	2 von 2