

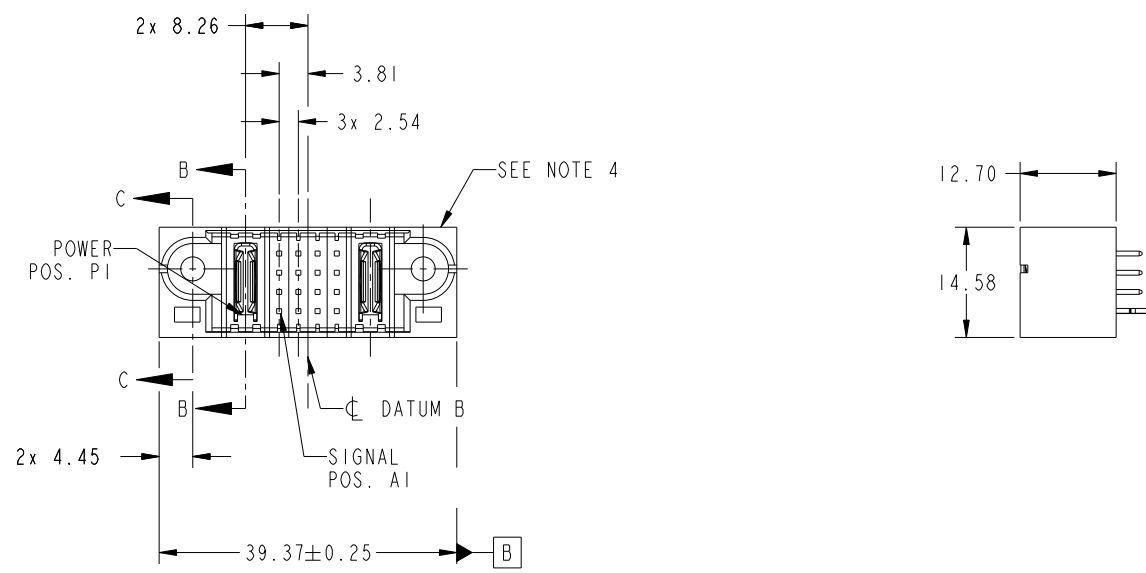
1

2

3

4

PRODUCT NO. 51710-068-- NOTE ③	ROWS DCBA	POWER		SIGNAL				POWER	
		E1	P1	1	2	3	4	P2	E2



CODE	DIM "M" MATING LENGTH	CONTACT TYPE
PA	[N/A]	POWER
HA	[N/A]	HOLD-DOWN
X		OMITTED



Copyright FCI.

spec ref	See Notes			dr	De-Ming Lu	2015/01/04	projection 	MM ←→	size	A4	scale	1:1	
tolerance std	TOLERANCES UNLESS OTHERWISE SPECIFIED			eng	De-Ming Lu	2015/01/08			ecn no	-			
See Notes				chr	-	-							
surface	linear	0.X	±0.50	appr	Pei-Ming Zheng	2015/01/08	product family	PwrBlade	rel level	Released			
		0.XX	±0.25	www.fci.com	title	IP + 16S + IP	cat. no.	-	Product - Customer Drw	dwg no	51710-068	rev	A
		0.XXX	±0.10										
	angular	0°	±2°	sheet 1 of 4									

ProjE File - REV C - 2009-06-09

2

3

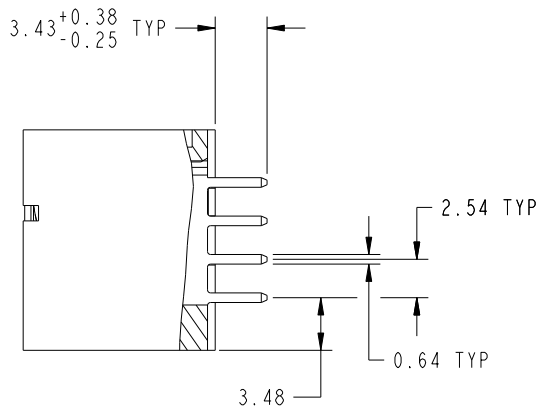
PDS: Rev :A

STATUS:Released

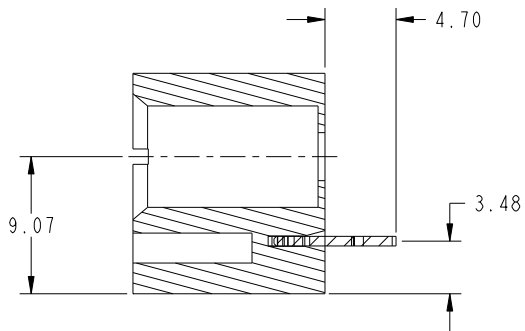
Printed: Jan 12, 2015

PRODUCT NUMBER

51710-068__
NOTE 3



SECTION B-B
SCALE 2:1



SECTION C-C
SCALE 2:1

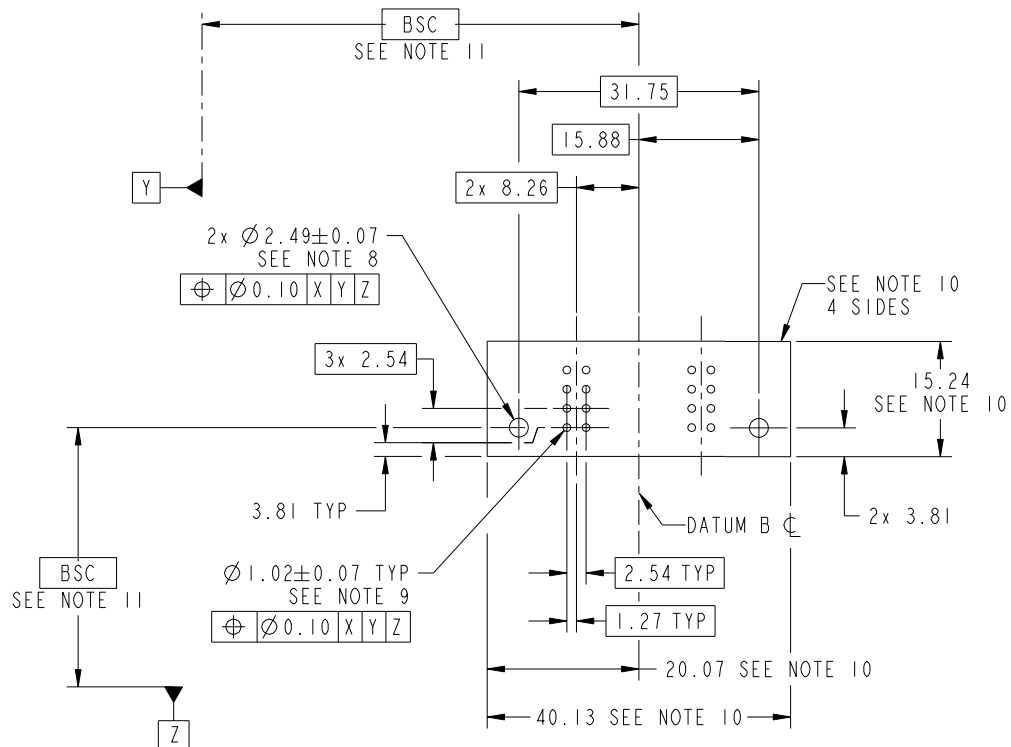
dr	De-Ming Lu	2015/01/04	projection 	MM 	size	A4	scale	1:1		
eng	De-Ming Lu	2015/01/08			ecn no	-				
chr	-	-								
appr	Pei-Ming Zheng	2015/01/08	product family	PwrBlade	rel level	Released				
			title	IP + 16S + IP VERTICAL SOLDER HEADER		dwg no	51710-068		rev	A
www.fci.com	cat. no.	-	Product - Customer Drw				sheet 2 of 4			



Copyright FCI.

PRODUCT NUMBER

51710-068__
NOTE 3



RECOMMENDED PCB LAYOUT

dr	De-Ming Lu	2015/01/04	projection 	MM ←→	size	A4	scale	1:1
eng	De-Ming Lu	2015/01/08			ecn no	-		
chr	-	-			rel level	Released		
appr	Pei-Ming Zheng	2015/01/08	product family	PwrBlade				
	title	IP + 16S + IP VERTICAL SOLDER HEADER		dwg no	51710-068		rev	A
www.fci.com	cat. no.	-	Product - Customer Drw		sheet 3 of 4			



PRODUCT NUMBER

51710-068__
NOTE 3

NOTES:

1. DIMENSIONS AND TOLERANCES ARE IN ACCORDANCE WITH ASME Y14.5M, 1994 UNLESS OTHERWISE SPECIFIED.

CONNECTOR NOTES:

- 2 HOUSING MATERIAL: UL 94 V-0 GLASS FILLED HIGH-TEMP THERMOPLASTIC
POWER CONTACT MATERIAL: COPPER ALLOY
SIGNAL PIN MATERIAL: COPPER ALLOY
 - 3. SEE ITEM 1 & 2 IN PRINT 10064183 FOR PLATING SPEC OF 51710-068 AND 51710-068LF RESPECTIVELY.
 - 4 MANUFACTURER'S NAME, DATE CODE AND OPTIONAL P/N TO APPEAR ON THIS SURFACE. THE MARK CAN BE OMITTED IF THERE IS NOT ENOUGH SPACE ON THIS SURFACE.
 - 5. PRODUCT SPECIFICATION GS-12-149.
APPLICATION SPECIFICATION BUS-20-067.
 - 6. PACKAGED IN TRAYS.
- PCB NOTES:
- 7. ALL HOLE DIAMETERS ARE FINISHED HOLE SIZE.
 - 8. MOUNTING HOLES, WHERE APPLICABLE, ARE UNPLATED.

9 $\varnothing 1.151 \pm 0.025$ DRILLED HOLES PLATED WITH 0.008 MIN SnPb OR Sn OVER .001 [0.03] TO 0.08 Cu PLATING TO ACHIEVE $\varnothing 1.02 \pm 0.07$ HOLE.

10 CONNECTOR KEEP-OUT ZONE.

11. DATUM AND BASIC DIMENSIONS ARE ESTABLISHED BY CUSTOMER.



Copyright FCI.

dr	De-Ming Lu	2015/01/04	projection 	MM 	size	A4	scale	1:1	
eng	De-Ming Lu	2015/01/08			ecn no	-			
chr	-	-							
appr	Pei-Ming Zheng	2015/01/08	product family	PwrBlade	rel level	Released			
	title	IP + 16S + IP VERTICAL SOLDER HEADER			dwg no	51710-068		rev	A
www.fci.com	cat. no.	-	Product - Customer Drw			sheet 4 of 4			