

PRA-GLB | Profile for GLB side guides

Stainless steel



- 1
- 2
- 3
- 4
- 5
- 6
- 7
- 8
- 9
- 10
- 11
- 12
- 13
- 14
- 15
- RH

MATERIAL

AISI 304 stainless steel

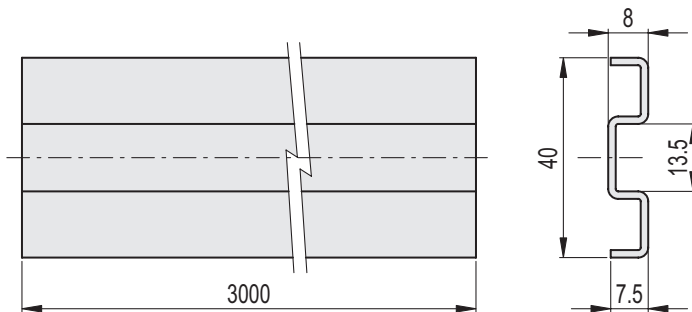
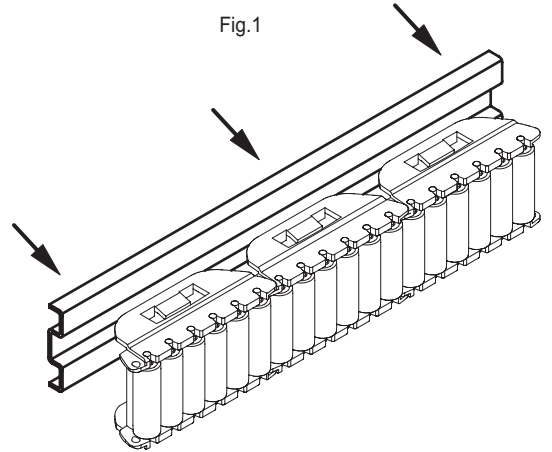
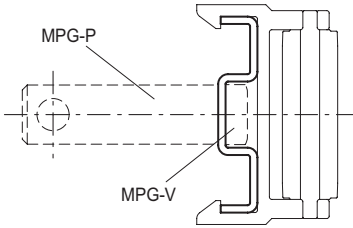
FEATURES AND APPLICATIONS

PRA-GLB profile is used for GLB-1 and GLB-2 side guides assembly (Fig.1).

Supplied in bars not drilled of 3 meters length, to allow the drilling during the assembly.

ACCESSORIES ON REQUEST

- MPG-P: assembly pin.
- MPG-V: zinc-plated steel hammer head screw. (see GLA-1).



Code	Description	
419181	PRA-GLB-40-3000	2020