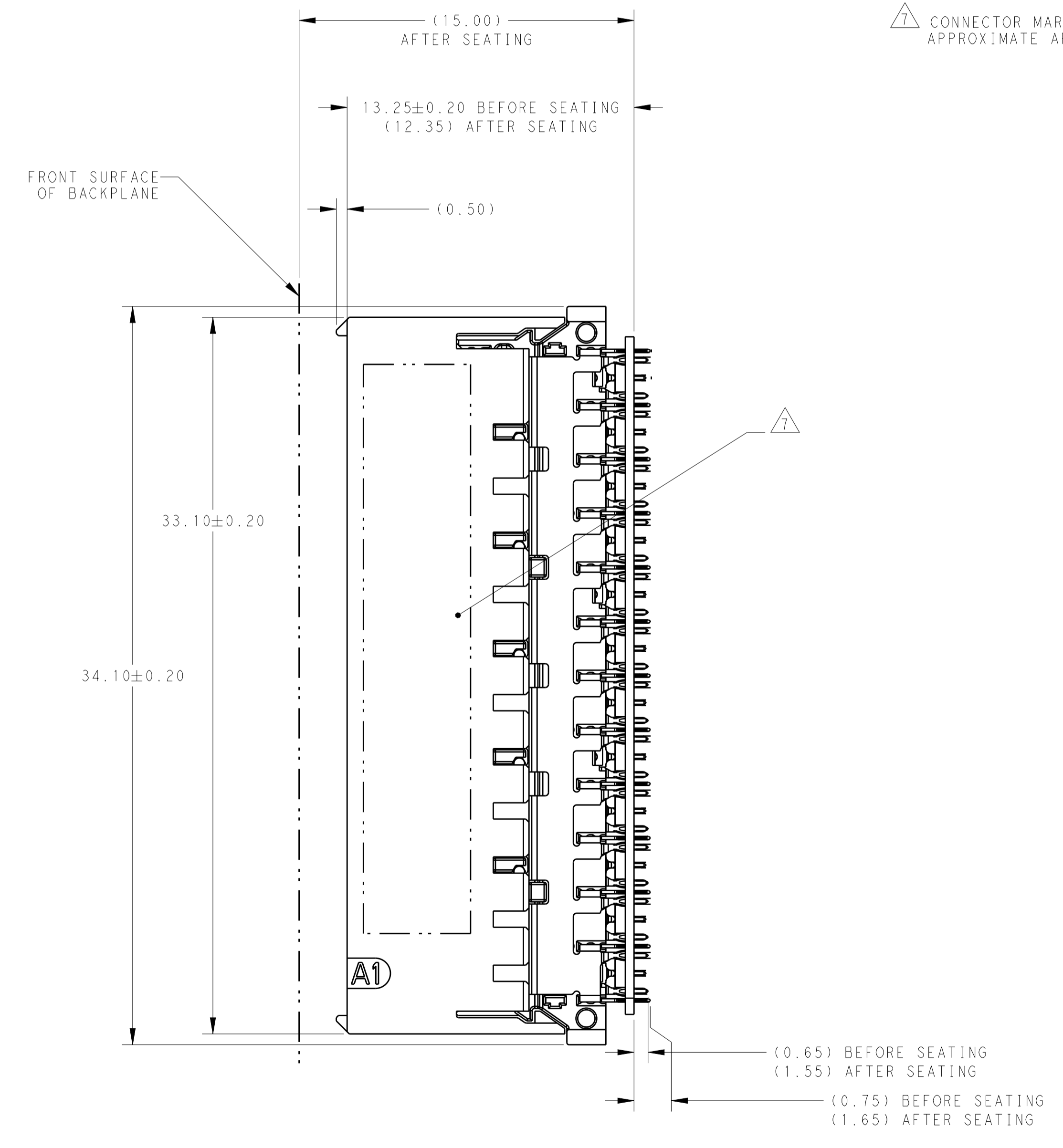
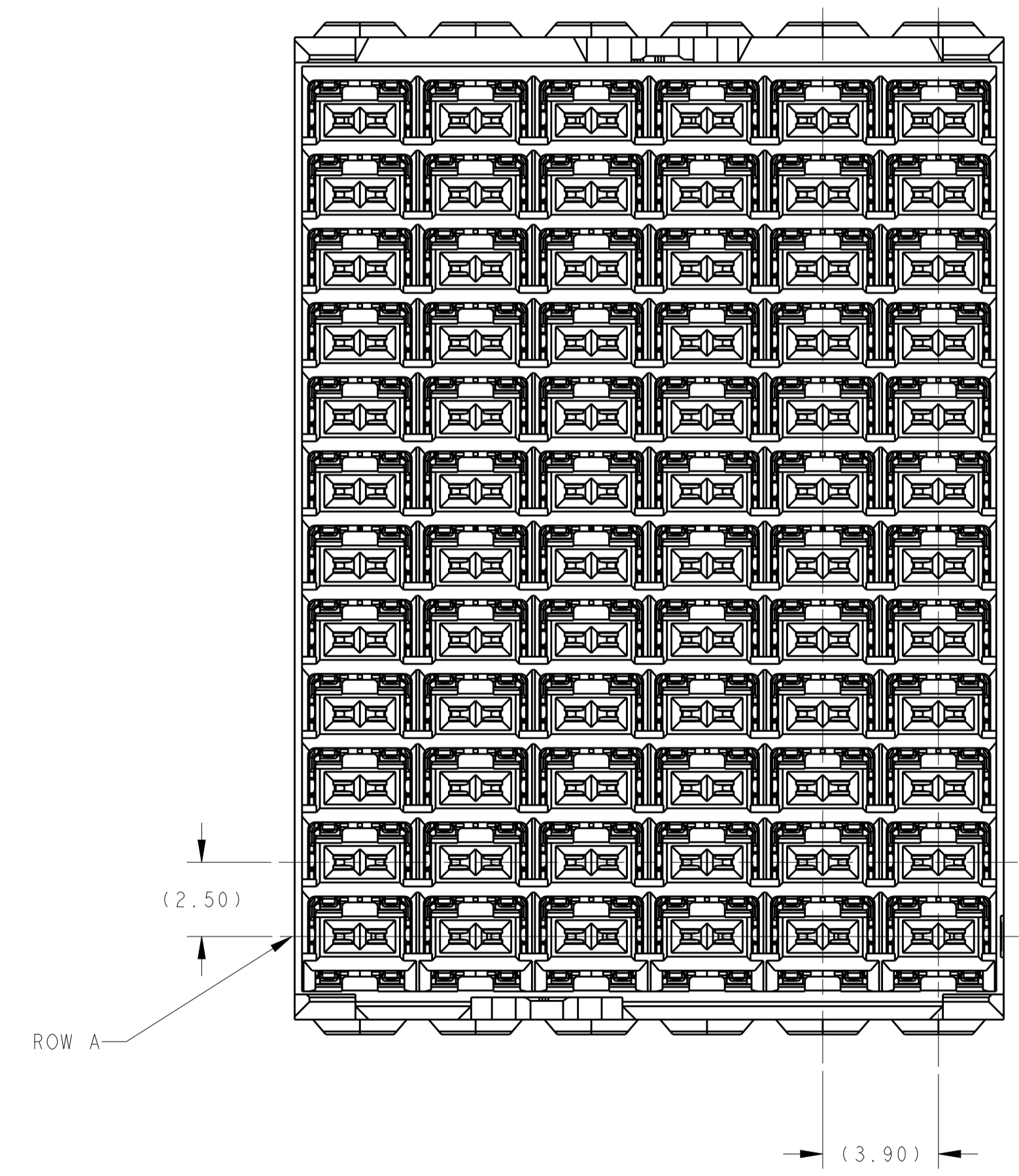
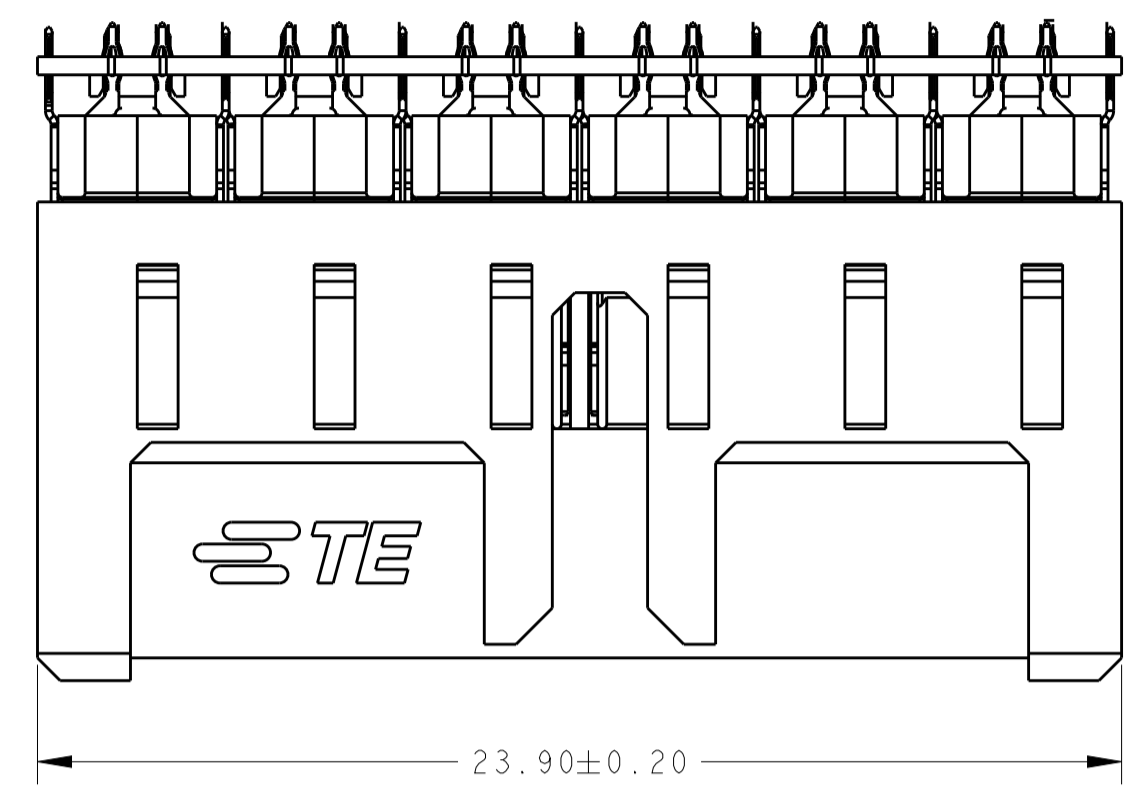
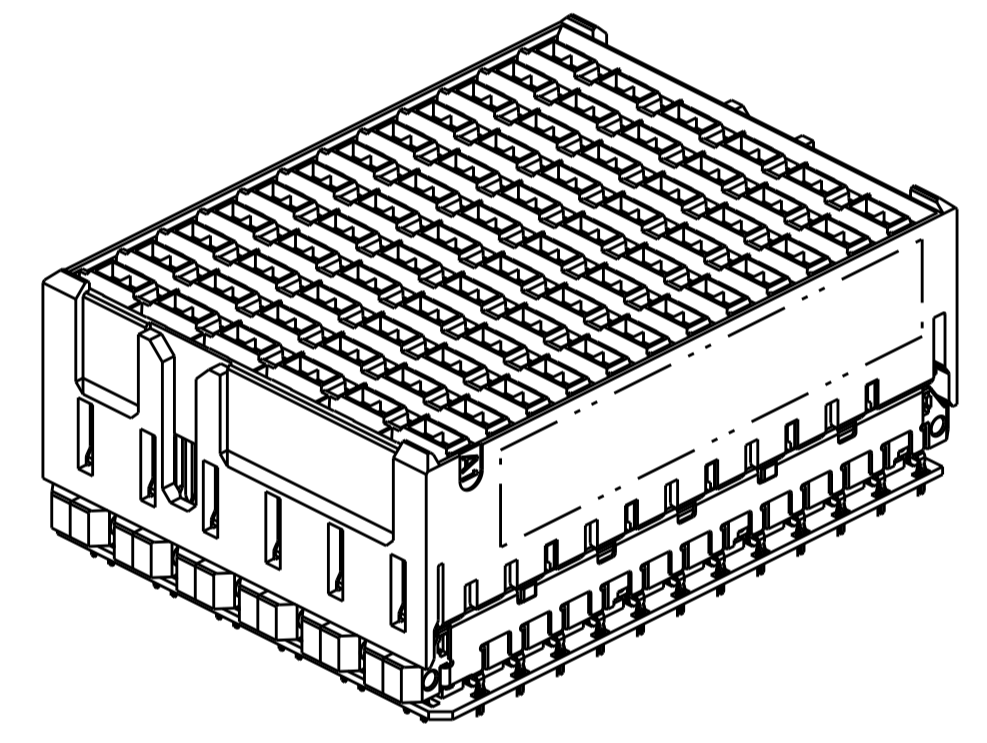


REVISIONS				
P.	LTN	DESCRIPTION	DATE	OWN APVD
A		REVISED PER ECO-16-016761	24NOV2016	AP RP
A1		ECO-17-005634	20APR2017	MH DS
A2		ECO-17-010749	24JUL2017	MH DS
B		REVISED PER ECO-18-005518	12APR2018	AP RP



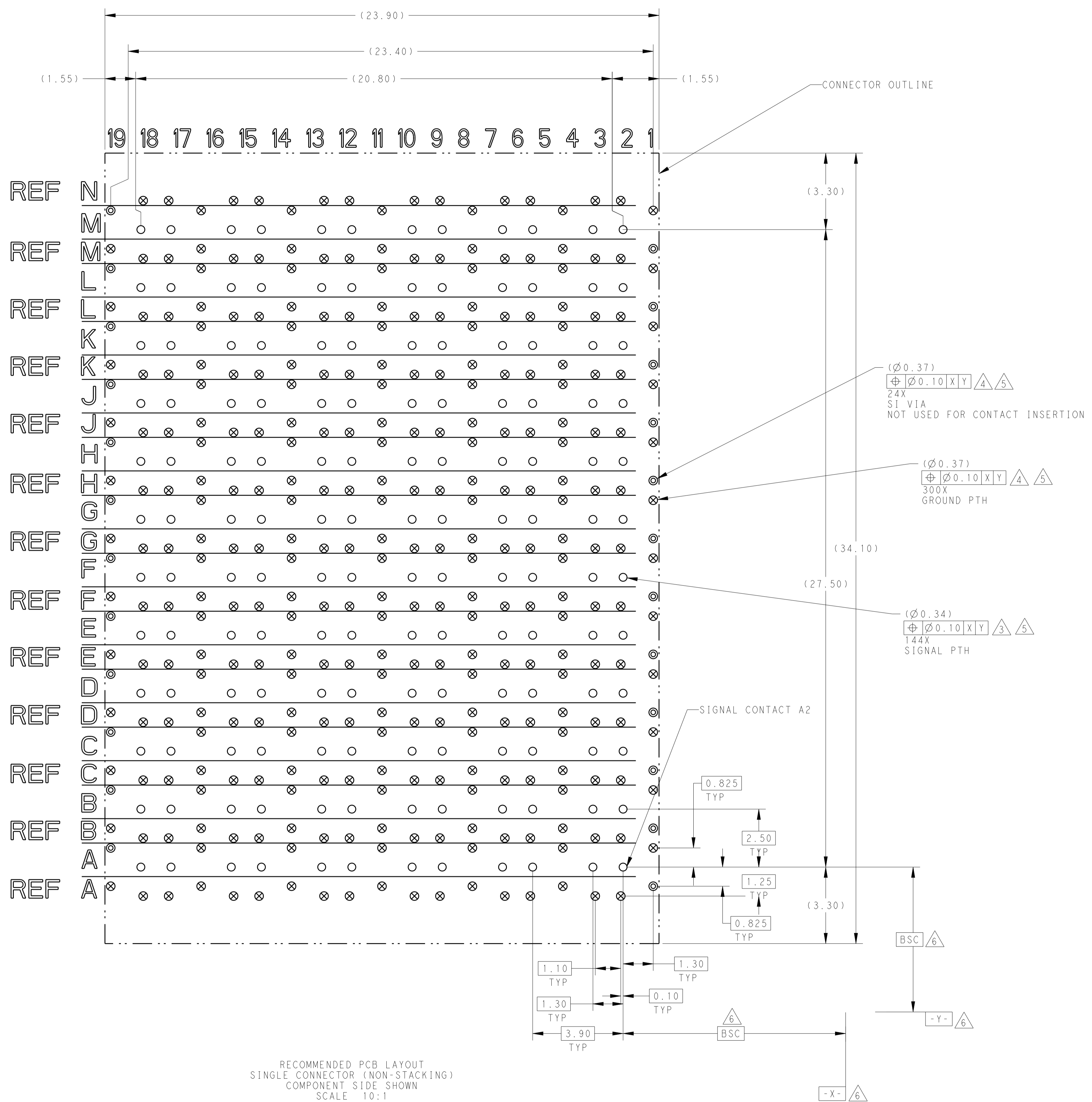
- 1 MATERIAL:
CONTACTS AND SHIELDS - COPPER ALLOY
HOUSINGS AND TAIL ORGANIZER - THERMOPLASTIC, UL 94V-0, BLACK
- 2 FINISH:
- CONFORMS TO THE REQUIREMENTS OF TE PRODUCT SPECIFICATION 108-32112 BASED ON TELCORDIA GR-1217-CORE FOR SYSTEM QUALITY LEVEL III, APPLICATIONS IN CONTROLLED ENVIRONMENTS (CENTRAL OFFICE).
- COMPLIANT PIN AREA: 0.5µm MIN MATTE TIN.
- 3 SIGNAL PLATED THRU HOLE REQUIREMENTS:
FINISHED HOLE = $\varnothing 0.34 \pm 0.05$
HOLE SIZE PRIOR TO PLATING = $\varnothing 0.420 \pm 0.025$
COPPER THICKNESS = 0.025 MIN
IMMERSION TIN IF APPLICABLE = (0.00095)
- 4 GROUND AND SI VIA PLATED THRU HOLE REQUIREMENTS:
FINISHED HOLE = $\varnothing 0.37 \pm 0.05$
HOLE SIZE PRIOR TO PLATING = $\varnothing 0.450 \pm 0.025$
COPPER THICKNESS = 0.025 MIN
IMMERSION TIN IF APPLICABLE = (0.00095)
- 5 PTH DIMENSIONS APPLY TO THE TOP 1.25mm OF THE PCB THICKNESS FROM THE CONNECTOR MOUNTING SIDE.
- 6 DATUMS AND BASIC DIMENSIONS ESTABLISHED BY CUSTOMER
- 7 CONNECTOR MARKED WITH PART NUMBER, DATE CODE, AND "100 OHM" IN APPROXIMATE AREA SHOWN, ON EITHER SIDE OF HOUSING.



2187626-1
PART NUMBER

THIS DRAWING IS A CONTROLLED DOCUMENT.		OWN: N. EVANS 09FEB2015		12 PAIR, 6 COLUMN, 100 OHM, PAIR-IN-ROW, STRADA WHISPER VERTICAL RECEPTACLE	
DIMENSIONS:		CHK: N. EVANS 09FEB2015		NAME: S. FLICKINGER	SIZE: A1
TOLERANCES UNLESS OTHERWISE SPECIFIED:		APVD: S. FLICKINGER 09FEB2015	PRODUCT SPEC: 108-32112	CAGE CODE: 114-32029	DRAWING NO: C=2187626
MATERIAL:		FINISH:	APPLICATION SPEC: 114-32029	WEIGHT:	CUSTOMER DRAWING
0 PLC ± 1 PLC ± 2 PLC ± 3 PLC ± 4 PLC ± ANGLES ±		SCALE: 6:1 SHEET 1 OF 2 REV B			

REVISIONS				
P.	LTN	DESCRIPTION	DATE	APVD
-	-	SEE SHEET 1	-	-



RECOMMENDED PCB LAYOUT
 SINGLE CONNECTOR (NON-STACKING)
 COMPONENT SIDE SHOWN
 SCALE 10:1

○ = SIGNAL
 ⊗ = GROUND
 ⊙ = SIGNAL INTEGRITY VIA TO GROUND

THIS DRAWING IS A CONTROLLED DOCUMENT.		OWN: N. EVANS 09FEB2015	TE Connectivity												
DIMENSIONS: mm		CHK: N. EVANS 09FEB2015													
TOLERANCES UNLESS OTHERWISE SPECIFIED:		APVD: S. FLICKINGER 09FEB2015	NAME: 12 PAIR, 6 COLUMN, 100 OHM, PAIR-IN-ROW, STRADA WHISPER VERTICAL RECEPTACLE												
<table border="1"> <tr><td>0 PLC</td><td>±</td></tr> <tr><td>1 PLC</td><td>±</td></tr> <tr><td>2 PLC</td><td>±</td></tr> <tr><td>3 PLC</td><td>±</td></tr> <tr><td>4 PLC</td><td>±</td></tr> <tr><td>ANGLES</td><td>±</td></tr> </table>		0 PLC	±	1 PLC	±	2 PLC	±	3 PLC	±	4 PLC	±	ANGLES	±	PRODUCT SPEC: 108-32112	RESTRICTED TO: -
0 PLC	±														
1 PLC	±														
2 PLC	±														
3 PLC	±														
4 PLC	±														
ANGLES	±														
MATERIAL: -		APPLICATION SPEC: 114-32029	SIZE: A1												
FINISH: -		WEIGHT: -	CAGE CODE: C=2187626												
CUSTOMER DRAWING		SCALE: 1:1	SHEET: 2 OF 2												