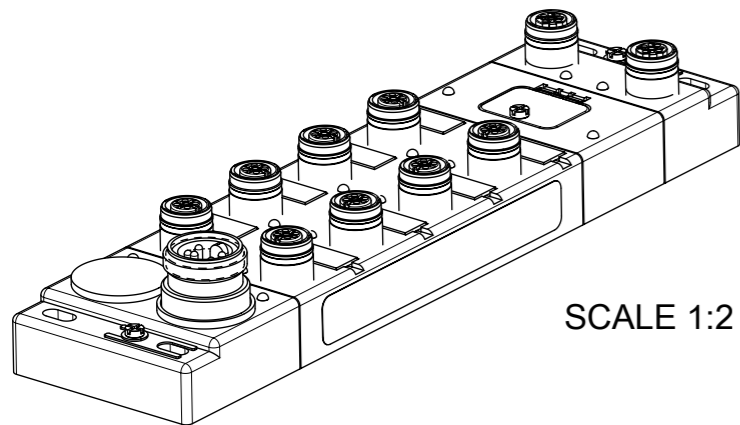


FIXING HOLES
SUITABLE FOR M5
SCREWS

FIXING HOLES
SUITABLE FOR M5
SCREWS



SCALE 1:2

SYMBOLS		THIS DRAWING CONTAINS INFORMATION THAT IS PROPRIETARY TO MOLEX ELECTRONIC TECHNOLOGIES, LLC AND SHOULD NOT BE USED WITHOUT WRITTEN PERMISSION	
DIMENSION UNITS	SCALE	CURRENT REV DESC:	
$\nabla = 0$	mm	molex IP67 I/O MODULES FOR MOTOR DRIVE ROLLERS PRODUCT CUSTOMER DRAWING	
$\nabla = 0$	GENERAL TOLERANCES (UNLESS SPECIFIED)		
$\nabla = 0$	ANGULAR TOL \pm		
$\nabla = 0$	4 PLACES \pm		
$\nabla = 0$	3 PLACES \pm		
$\nabla = 0$	2 PLACES \pm	EC NO: 177447	2018/02/10
$\nabla = 0$	1 PLACE \pm	DRWN: SSM	2018/05/31
$\nabla = 0$	0 PLACES \pm	CHK'D: EDVESTU	2018/05/31
$\square = 0$	DRAFT WHERE APPLICABLE MUST REMAIN WITHIN DIMENSIONS	APPR: EDVESTU	2018/05/31
$\nabla = 0$	THIRD ANGLE PROJECTION	INITIAL REVISION:	
		DRWN: SSM	2018/02/10
		APPR: EDVESTU	2018/05/31
		DRAWING	SERIES
		A3-SIZE	112072
		MATERIAL NUMBER	CUSTOMER
		1120725507	GENERAL MARKET
		DOC TYPE	DOC PART
		PSD	000
		REVISION	A
		SHEET NUMBER	1 OF 4

