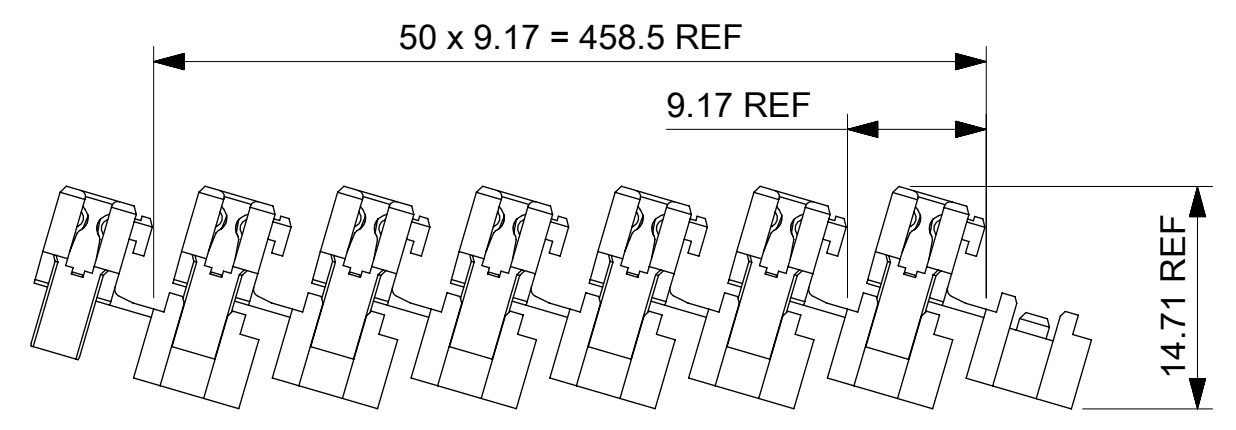
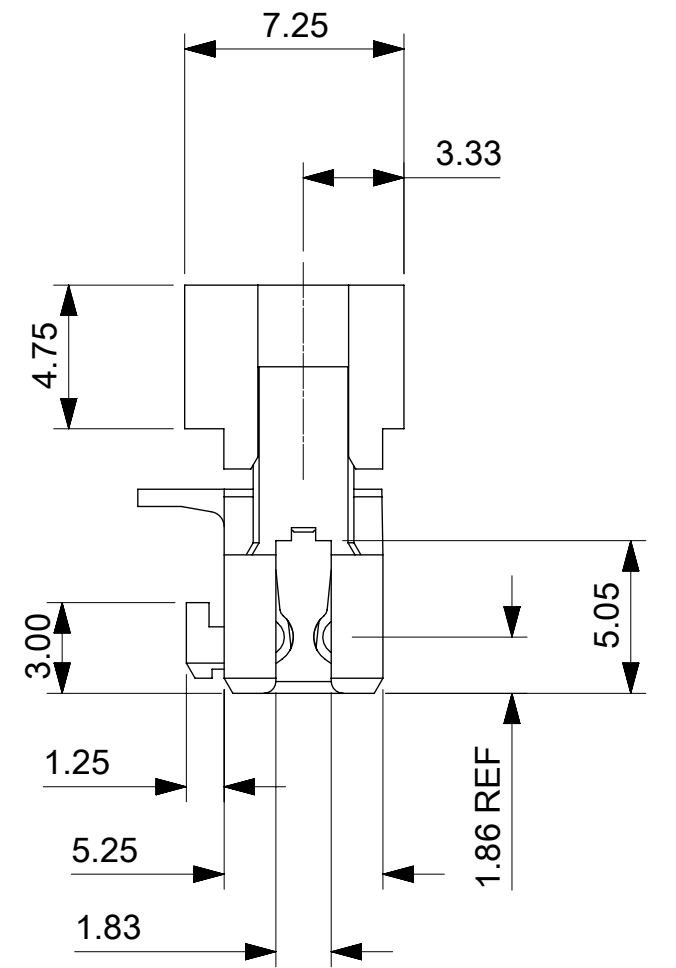
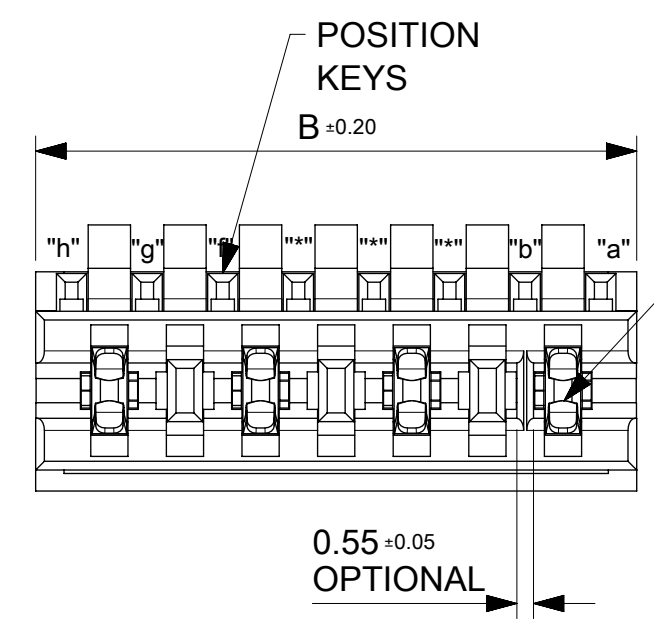
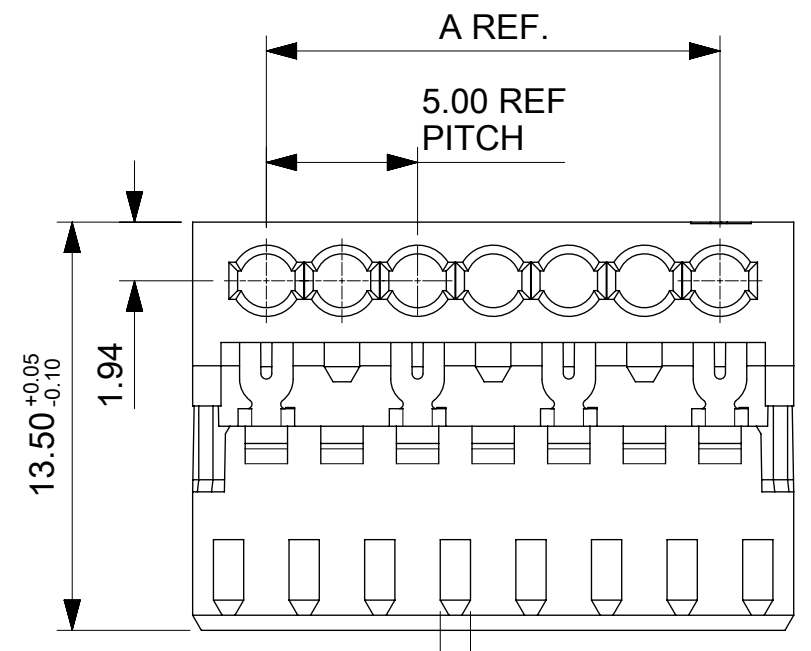
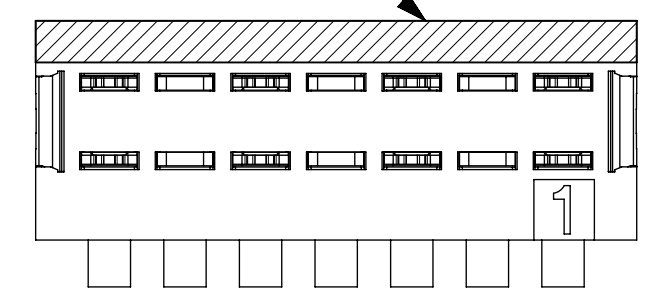


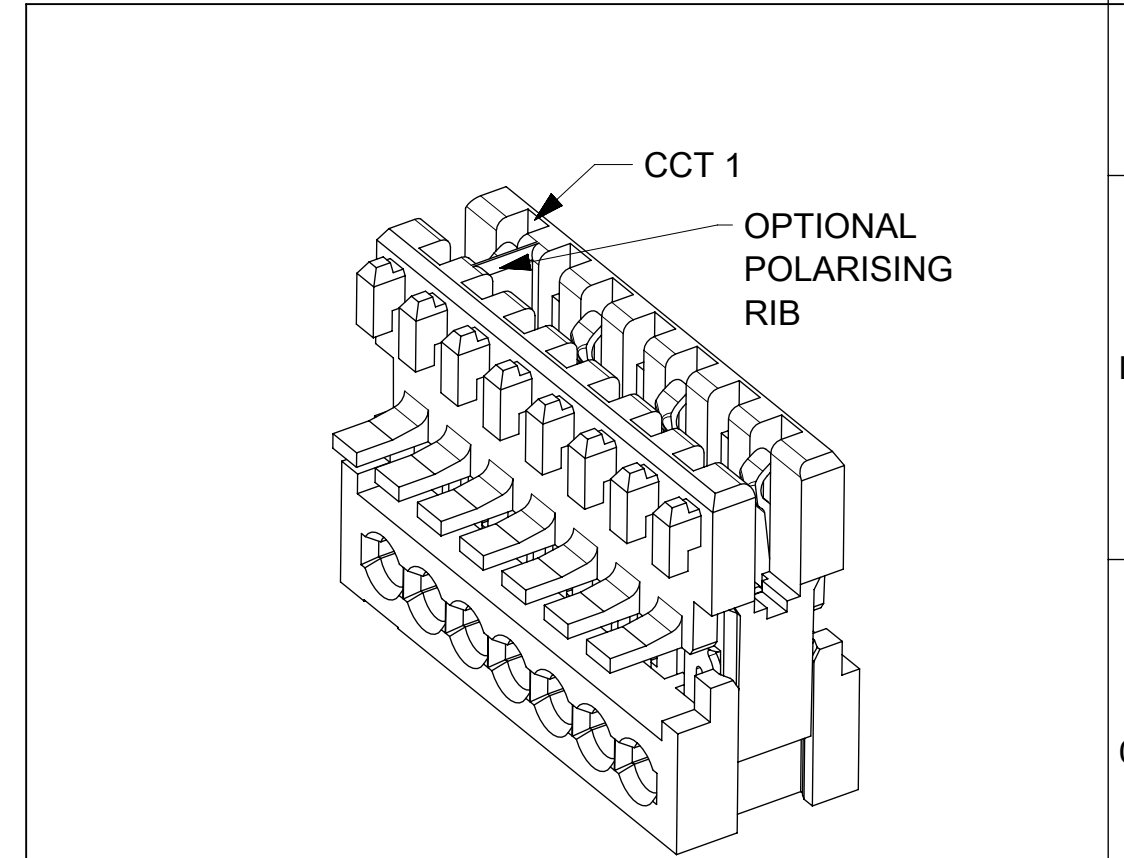
4000012662

POSITION OF COLOUR STRIPE (see note 3)

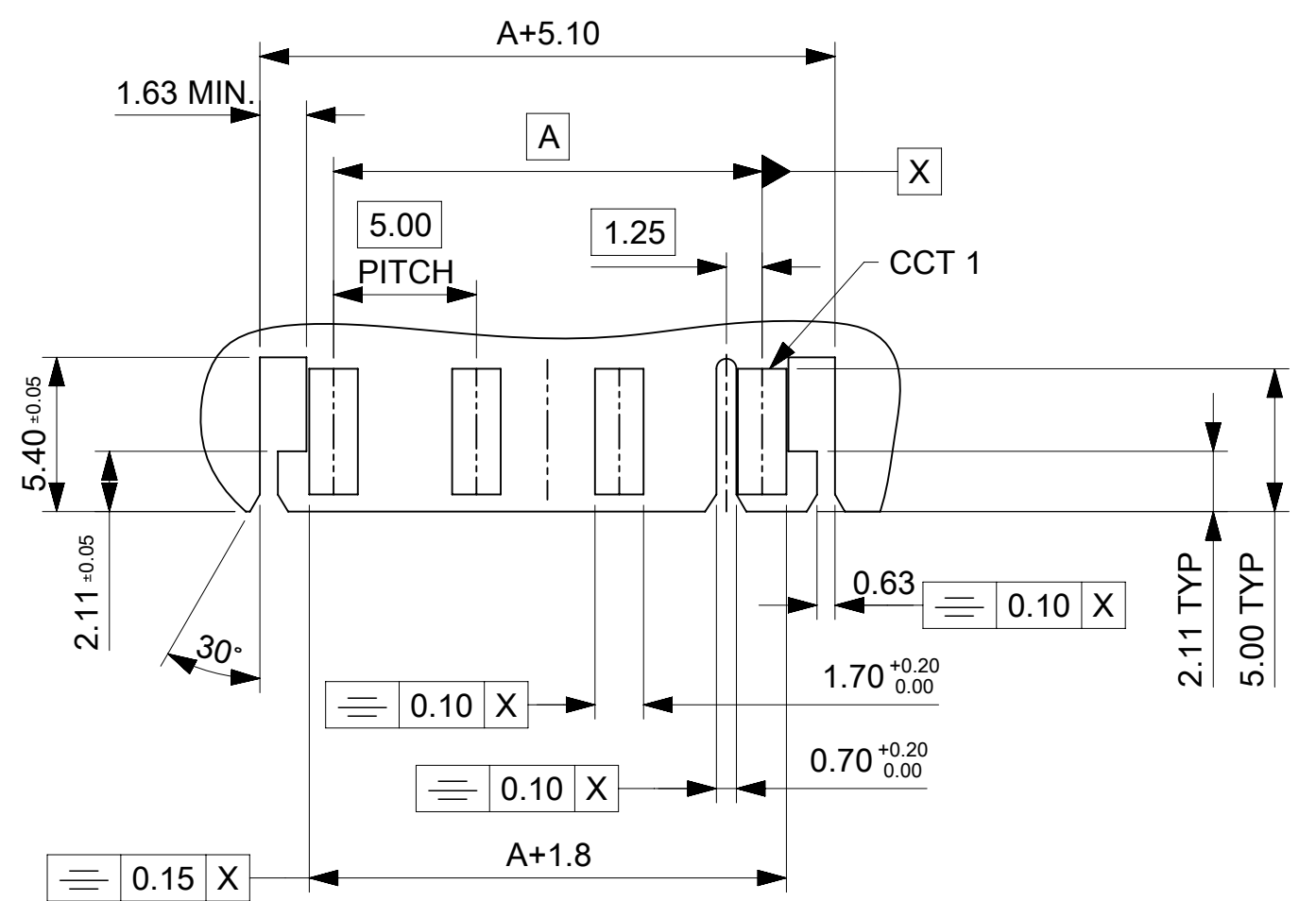


SHIPPING ARRANGEMENT SCALE 2:1

| CCT | A | B |
|-----|----|--------|
| 2 | 5 | 9.875 |
| 3 | 10 | 14.875 |
| 4 | 15 | 19.875 |
| 5 | 20 | 24.875 |
| 6 | 25 | 29.875 |
| 7 | 30 | 34.875 |
| 8 | 35 | 39.875 |
| 9 | 40 | 44.875 |
| 10 | 45 | 49.875 |



OPEN END WALLS OPTION.

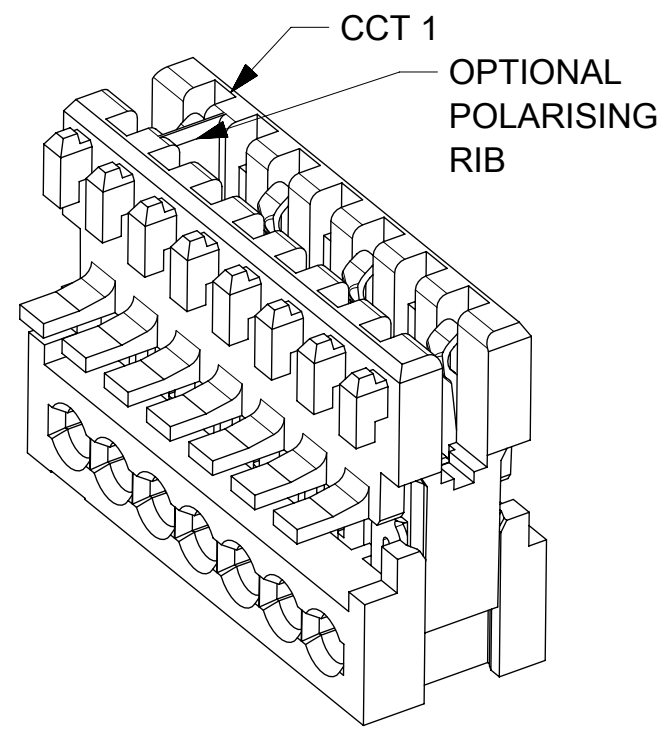


- PCB LAYOUT FOR 4CCT (5mm) CONNECTOR (WITH OPTIONAL POSITIONAL RIB SLOT BETWEEN CCT 1 & 2)
- RECOMMENDED PCB THICKNESS 1.5±0.14

- NOTES:
- REFER TO PRODUCT SPECIFICATION: PS-99020-0040.
 - MATERIAL: HOUSING - POLYAMIDE 6 (PA6) UL94-V2, COLOUR: NATURAL.
TERMINAL: PHOSPHOR BRONZE 0.30 REF. THICK - PLATING HOT TIN DIP.
 - COLOUR STRIPE IS OPTIONAL. AVAILABLE IN THE FOLLOWING COLOURS: RED, GREEN, BLUE, ORANGE, BLACK, YELLOW, BROWN AND VIOLET.
(BLACK SIGNIFIES CUSTOMER SPECIFIC CONFIGURATION).
 - REFER TO PACKAGING SPEC (PK-90871-001)
 - REFER TO APPLICATION SPEC (990330008 AS)
 - REFER TO WORK INSTRUCTION (WI1643)

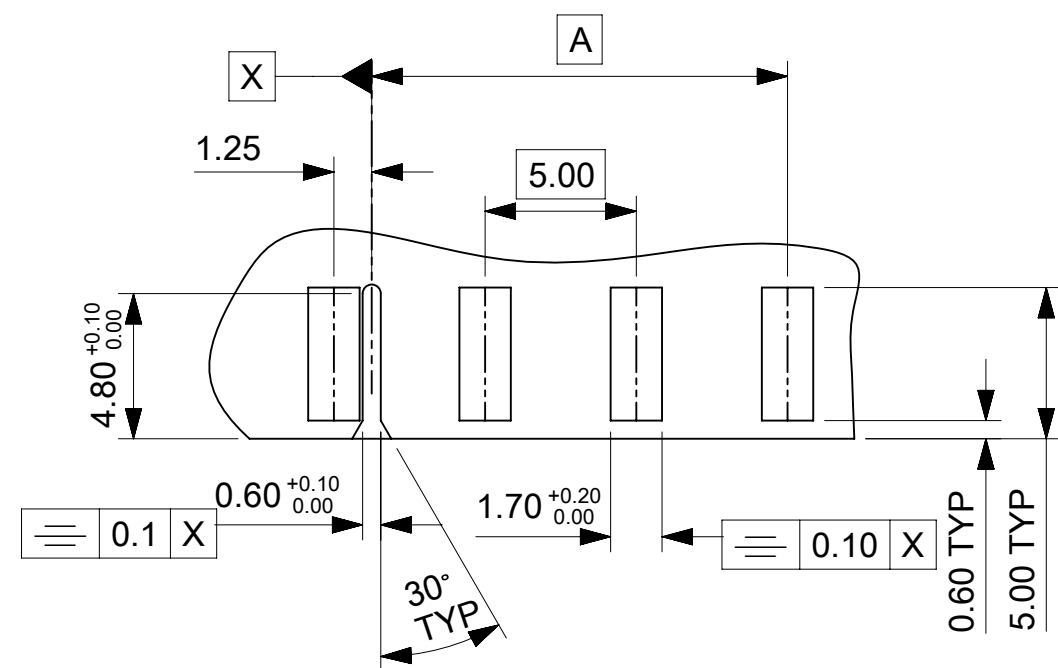
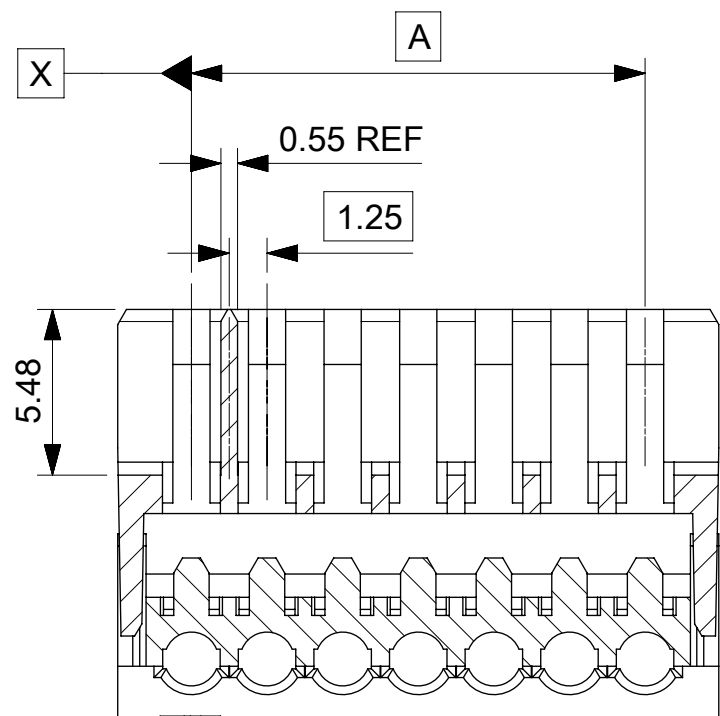
| | | | | | | | | | | | | | |
|---|--|------------------------|--|---|--|----------------------|--|--------------------------------|--|------------|--|------------|--|
| THIS DRAWING CONTAINS INFORMATION THAT IS PROPRIETARY TO MOLEX ELECTRONIC TECHNOLOGIES, LLC AND SHOULD NOT BE USED WITHOUT WRITTEN PERMISSION | | | | | | | | | | | | | |
| DIMENSION UNITS: mm | | SCALE: 20:1 | | CURRENT REV DESC: | | | | | | | | | |
| GENERAL TOLERANCES (UNLESS SPECIFIED) | | | | <p>molex</p> <p>APPLI-MATE 2.5 FEMALE G.W.T. 750 VERSION 5MM PITCH</p> <p>PRODUCT CUSTOMER DRAWING</p> | | | | | | | | | |
| ANGULAR TOL ± 0.5° | | | | | | | | | | | | | |
| 4 PLACES ± | | EC NO: 675456 | | | | | | | | 2021/08/25 | | 2021/08/26 | |
| 3 PLACES ± 0.05 | | DRWN: MBN02 | | | | | | | | 2021/08/26 | | 2021/09/28 | |
| 2 PLACES ± 0.1 | | CHK'D: MBN02 | | | | | | | | 2021/08/26 | | 2021/09/28 | |
| 1 PLACE ± 0.2 | | APPR: SDEVITT | | INITIAL REVISION: | | DOCUMENT NUMBER | | DOC TYPE DOC PART REVISION | | | | | |
| 0 PLACES ± | | DRWN: CFISHER01 | | 2016/01/19 | | 930510001 | | PSD 000 E1 | | | | | |
| DRAFT WHERE APPLICABLE MUST REMAIN WITHIN DIMENSIONS | | THIRD ANGLE PROJECTION | | DRAWING: A2-SIZE | | SERIES: 93051 | | MATERIAL NUMBER: SEE TABLE | | | | | |
| | | | | CUSTOMER: GENERAL MARKET | | SHEET NUMBER: 1 OF 9 | | | | | | | |

| | | | | |
|-----------------|----|--------------|------------|----------|
| DOCUMENT STATUS | P1 | RELEASE DATE | 2021/09/28 | 05:26:24 |
|-----------------|----|--------------|------------|----------|

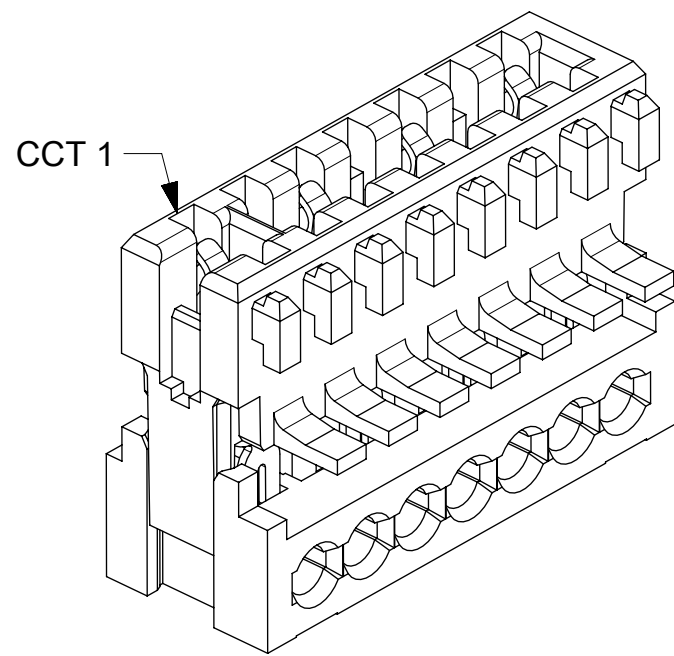


OPEN END WALL OPTION

| FIRST END WALL | LAST END WALL |
|----------------|---------------|
| OPEN | OPEN |

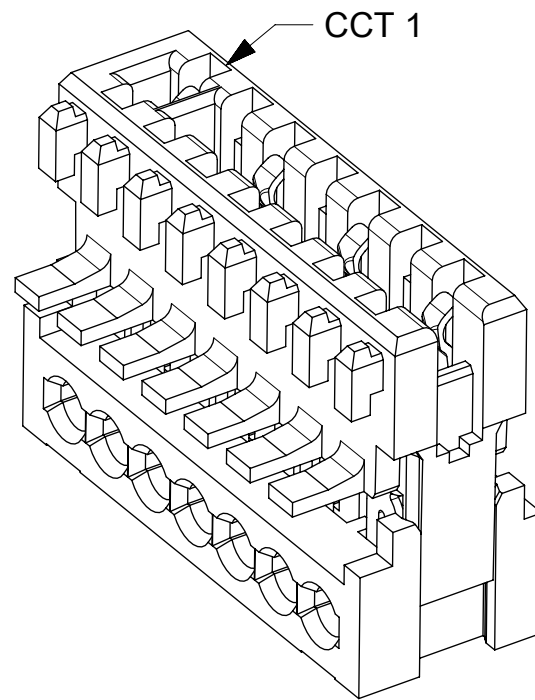
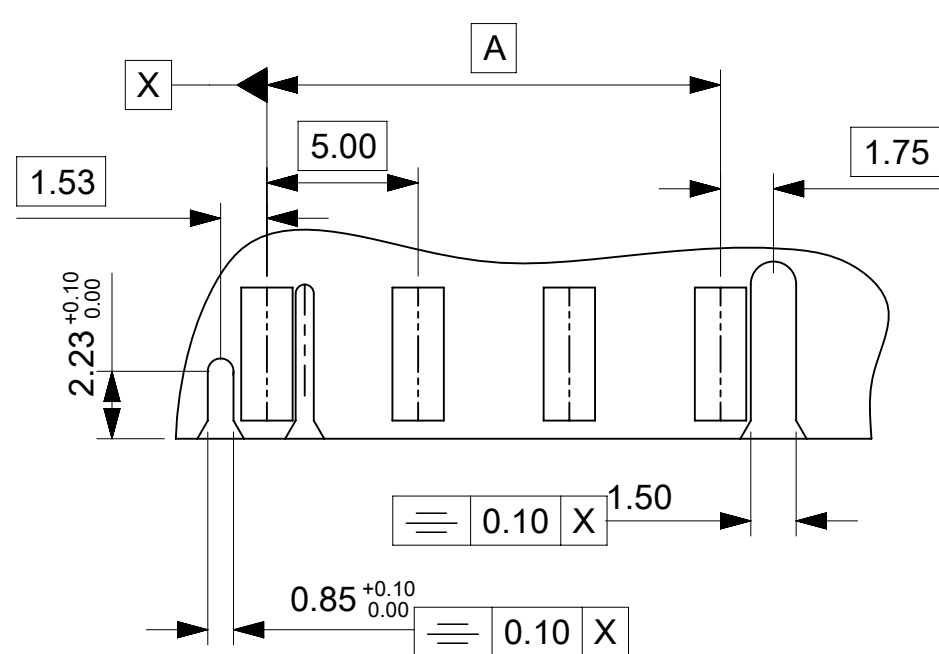
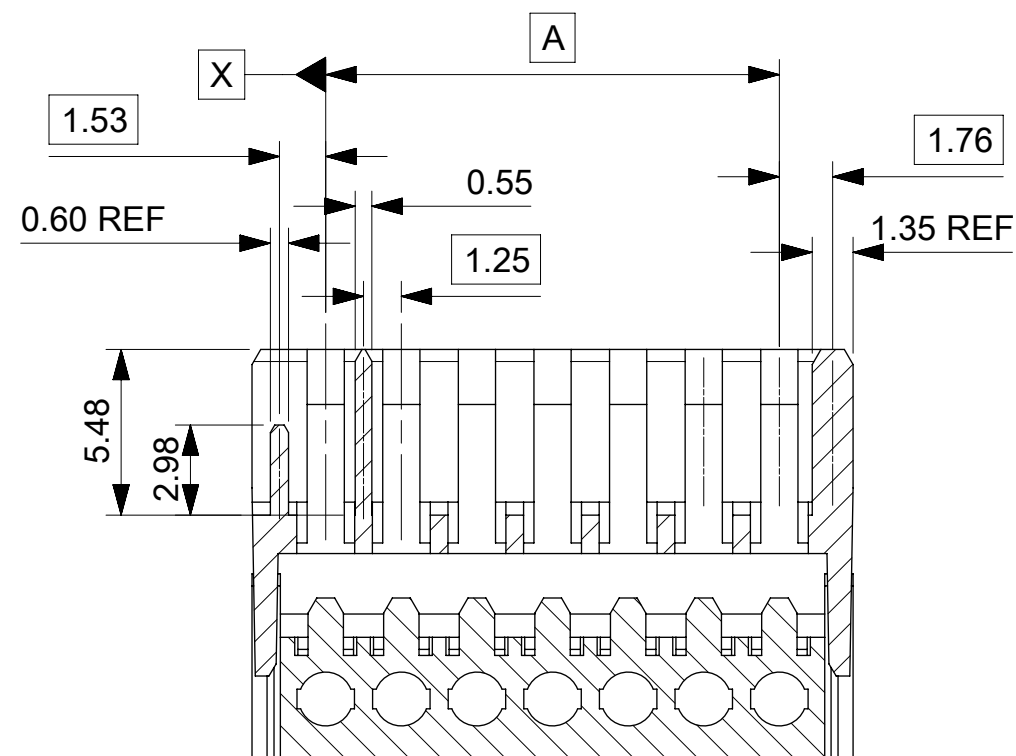


- PCB LAYOUT CCTCONNECTOR
(WITH OPTIONAL POSITIONAL RIB SLOT BETWEEN
CCT 1 & 2)
- RECOMMENDED PCB THICKNESS 1.5 ± 0.14



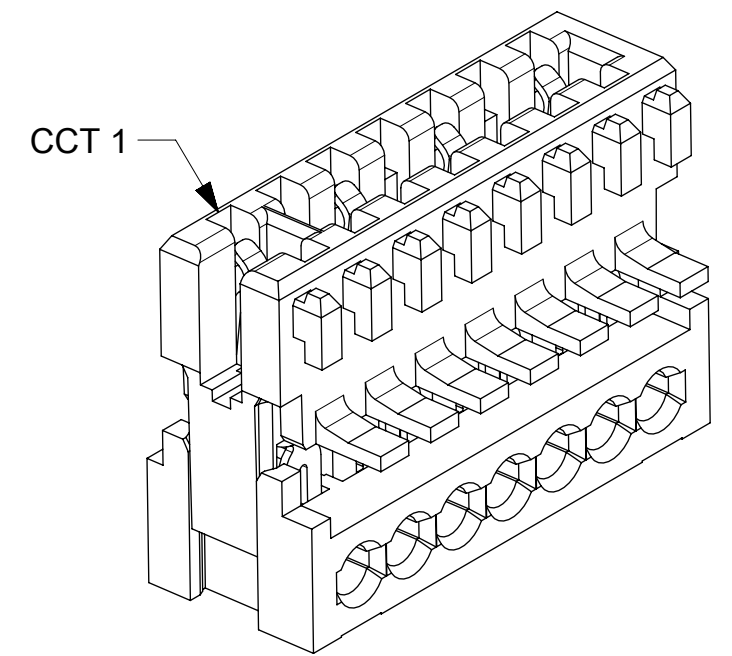
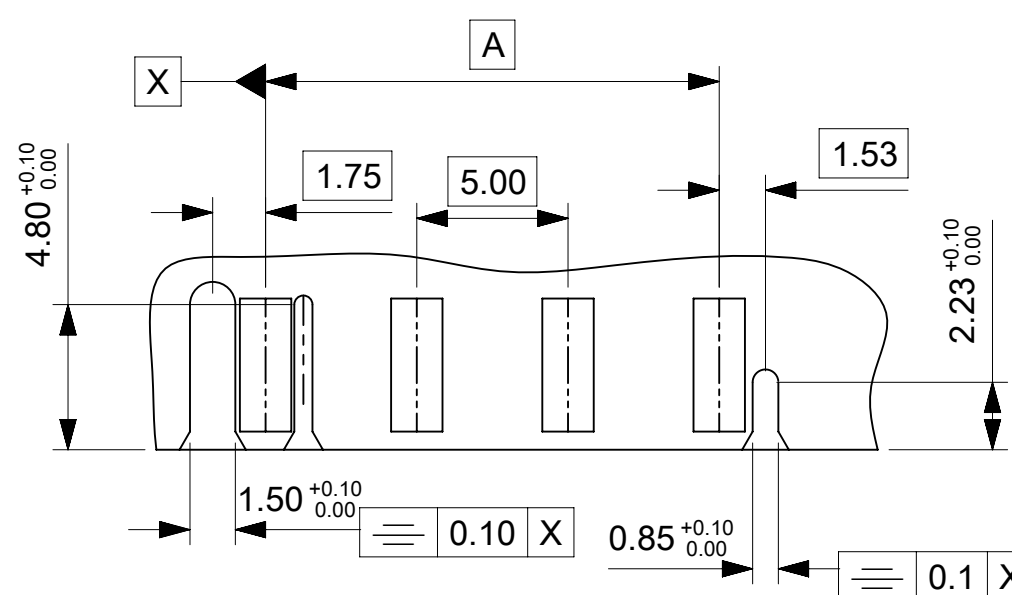
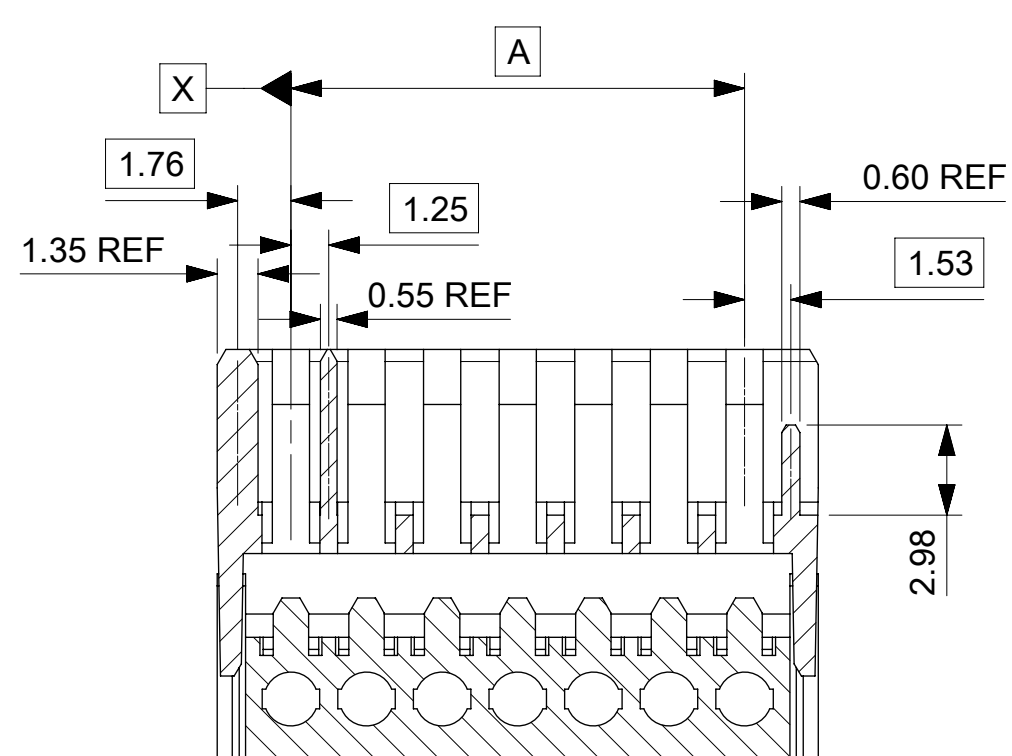
END WALL OPTION A

| FIRST END WALL | LAST END WALL |
|----------------|---------------|
| HALF | CLOSED |



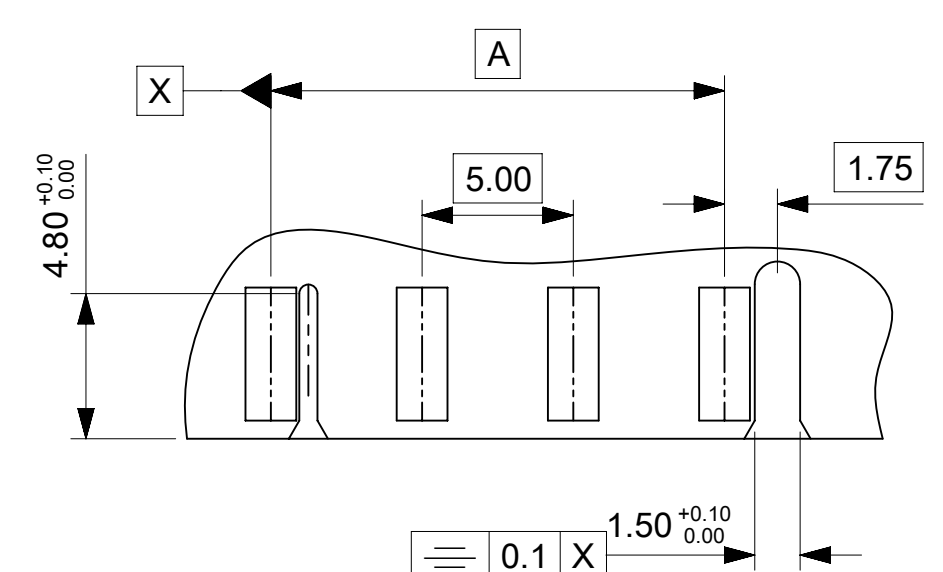
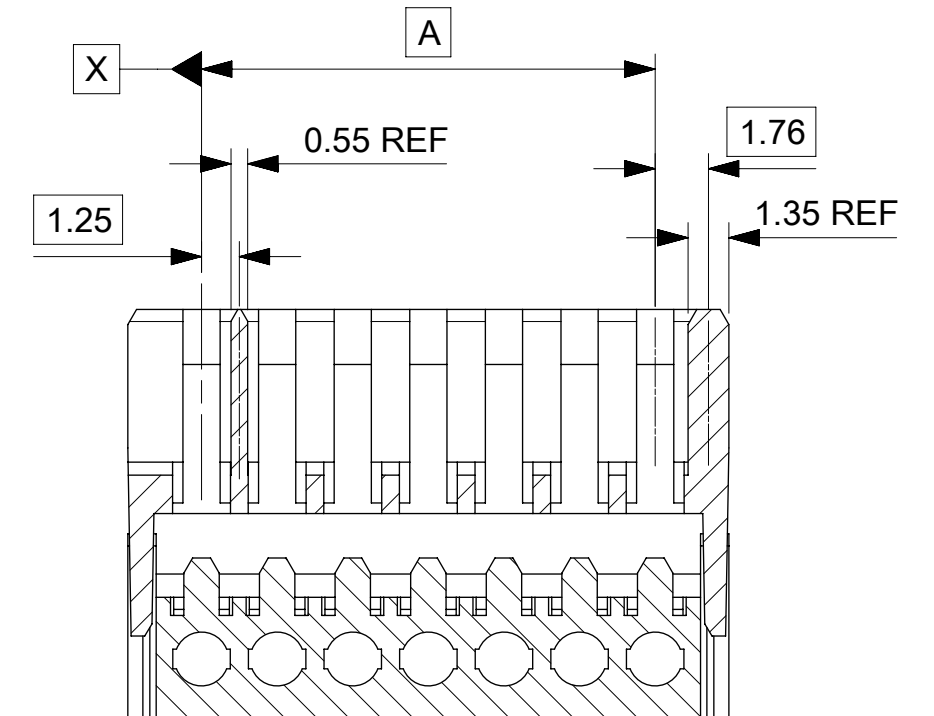
END WALL OPTION B

| FIRST END WALL | LAST END WALL |
|----------------|---------------|
| CLOSED | HALF |



END WALL OPTION C

| FIRST END WALL | LAST END WALL |
|----------------|---------------|
| OPEN | CLOSED |



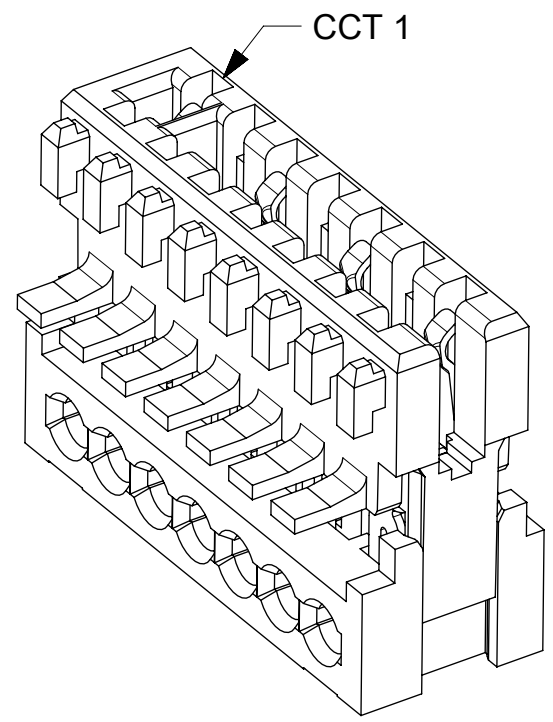
THIS DRAWING CONTAINS INFORMATION THAT IS PROPRIETARY TO MOLEX ELECTRONIC TECHNOLOGIES, LLC AND SHOULD NOT BE USED WITHOUT WRITTEN PERMISSION

| | | | |
|--|----------|------------------------|----------------|
| DIMENSION UNITS | SCALE | CURRENT REV DESC: | |
| mm | 1:1 | | |
| GENERAL TOLERANCES (UNLESS SPECIFIED) | | | |
| ANGULAR TOL | ± 0.5° | EC NO: 675456 | |
| 4 PLACES | ± | DRWN: MBN02 | 2021/08/25 |
| 3 PLACES | ± 0.05 | CHK'D: MBN02 | 2021/08/26 |
| 2 PLACES | ± 0.1 | APPR: SDEVITT | 2021/09/28 |
| 1 PLACE | ± 0.2 | INITIAL REVISION: | |
| 0 PLACES | ± | DRWN: CFISHER01 | 2016/01/19 |
| | | APPR: MSHANAHAN | 2016/02/09 |
| DRAFT WHERE APPLICABLE MUST REMAIN WITHIN DIMENSIONS | | THIRD ANGLE PROJECTION | DRAWING |
| | | | A2-SIZE |
| | | SERIES | 93051 |
| DOCUMENT NUMBER | | CUSTOMER | GENERAL MARKET |
| 930510001 | | | |
| DOC TYPE | DOC PART | REVISION | |
| PSD | 000 | E1 | |
| MATERIAL NUMBER | | SHEET NUMBER | |
| SEE TABLE | | 2 OF 9 | |

molex

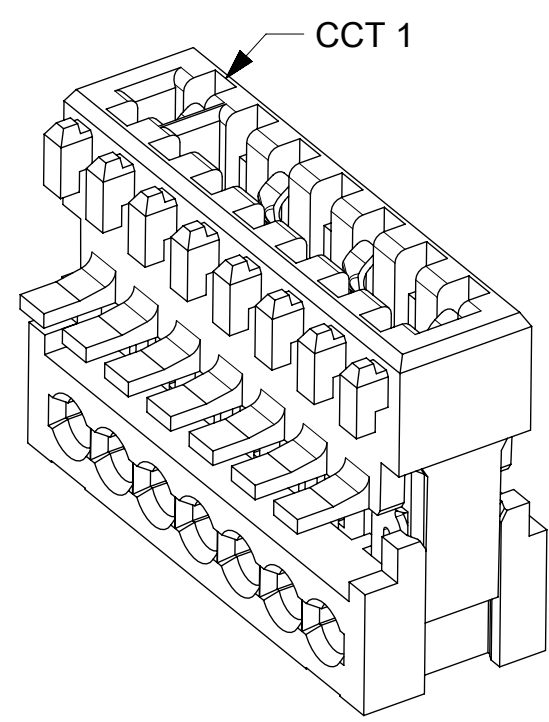
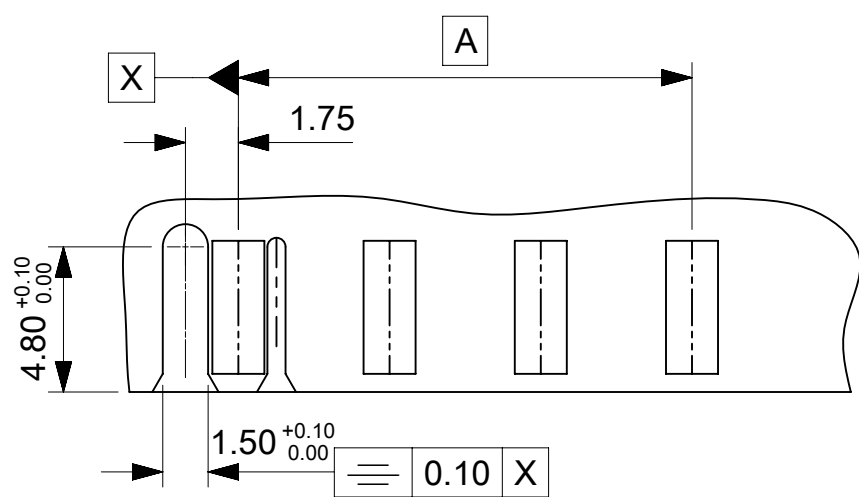
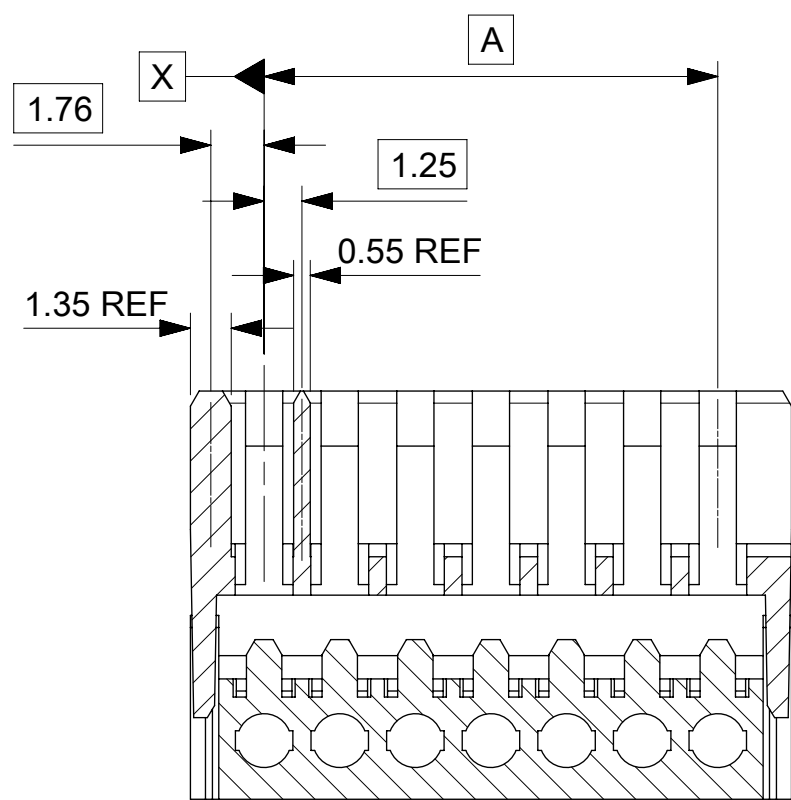
APPLI-MATE 2.5 FEMALE
G.W.T. 750 VERSION 5MM PITCH

PRODUCT CUSTOMER DRAWING



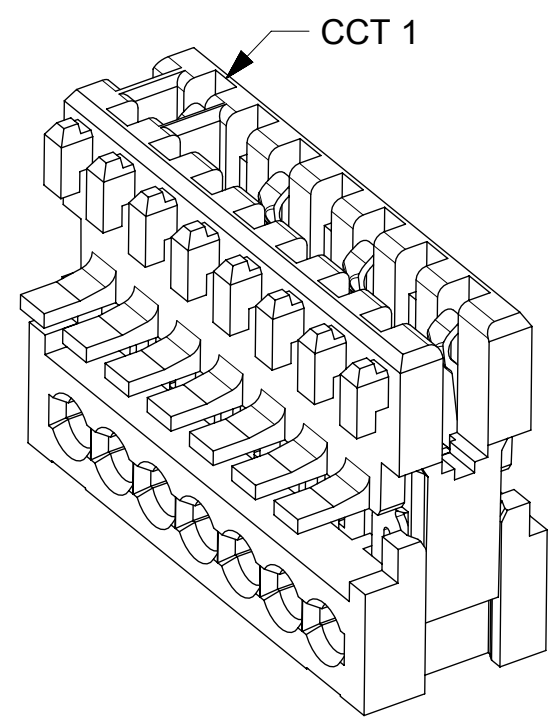
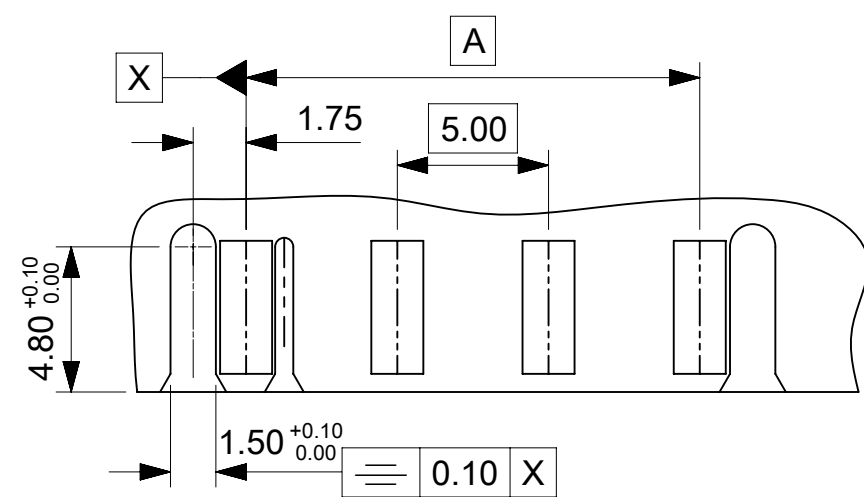
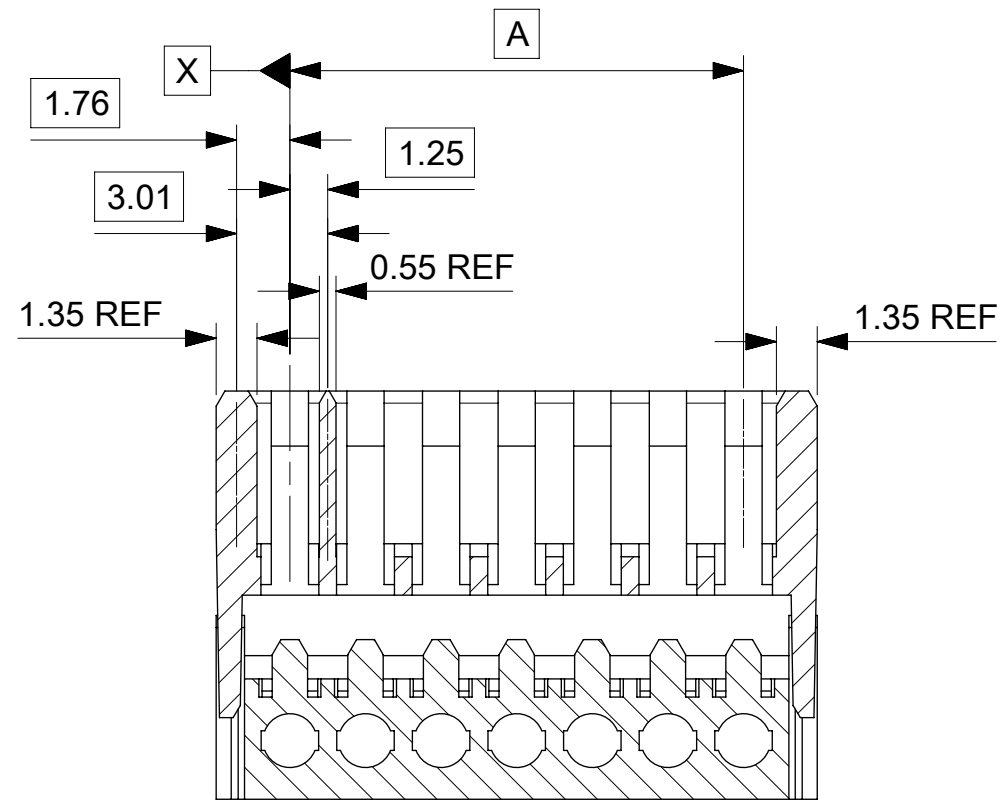
END WALL OPTION D

| FIRST END WALL | LAST END WALL |
|----------------|---------------|
| CLOSED | OPEN |



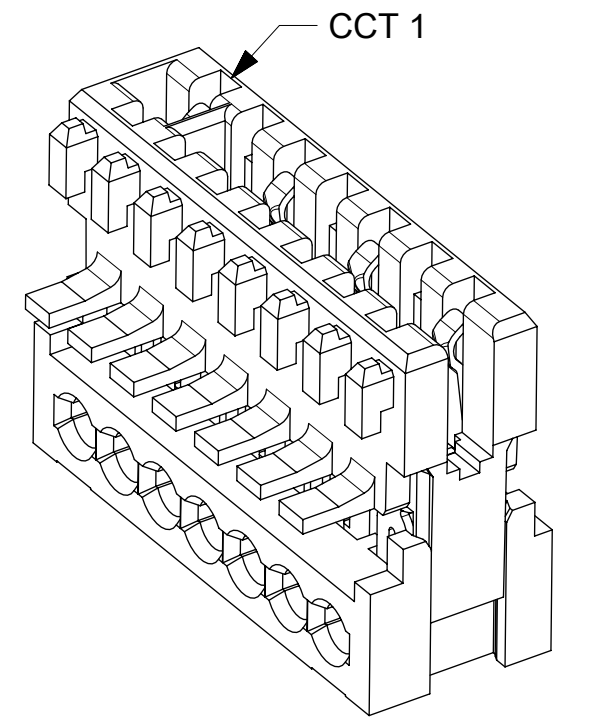
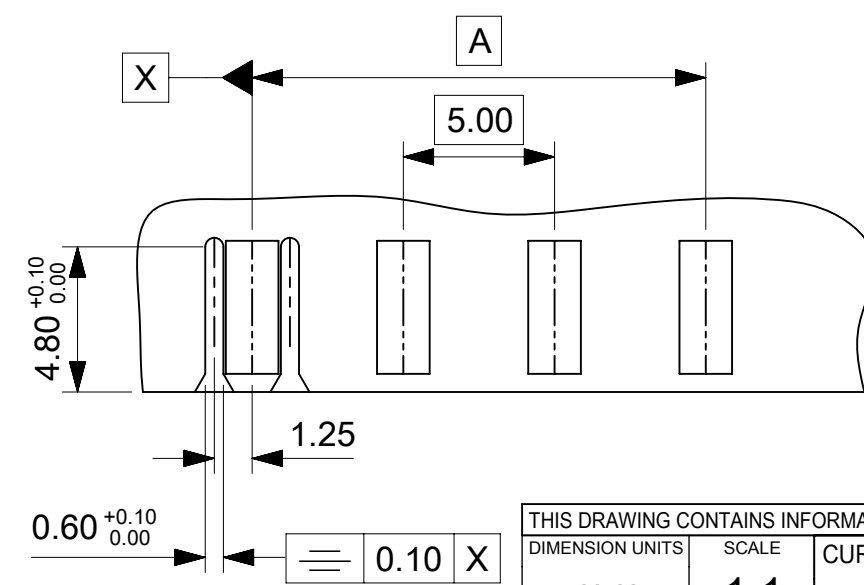
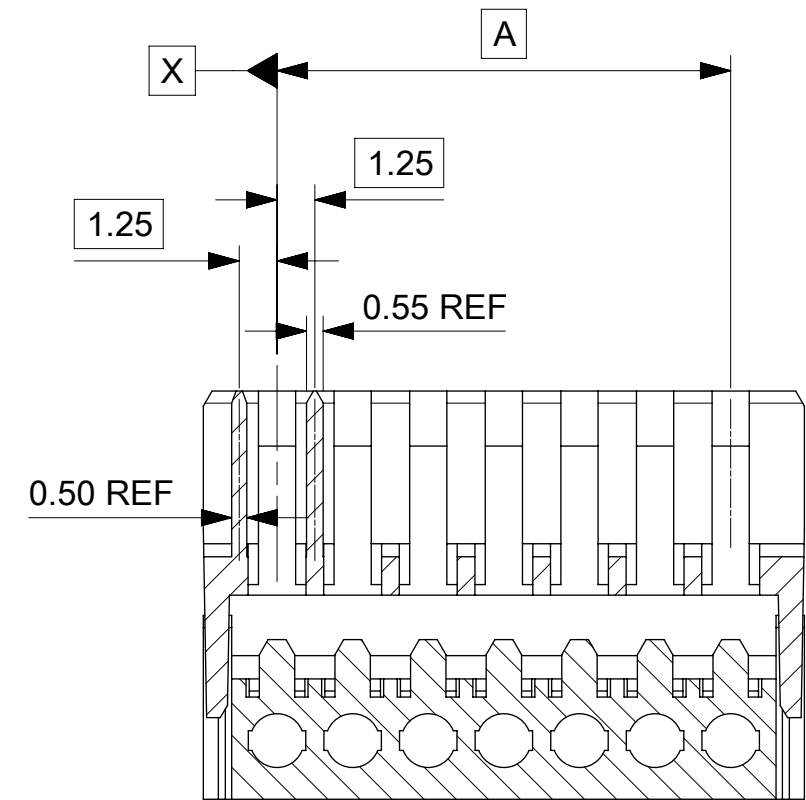
END WALL OPTION E

| FIRST END WALL | LAST END WALL |
|----------------|---------------|
| CLOSED | CLOSED |



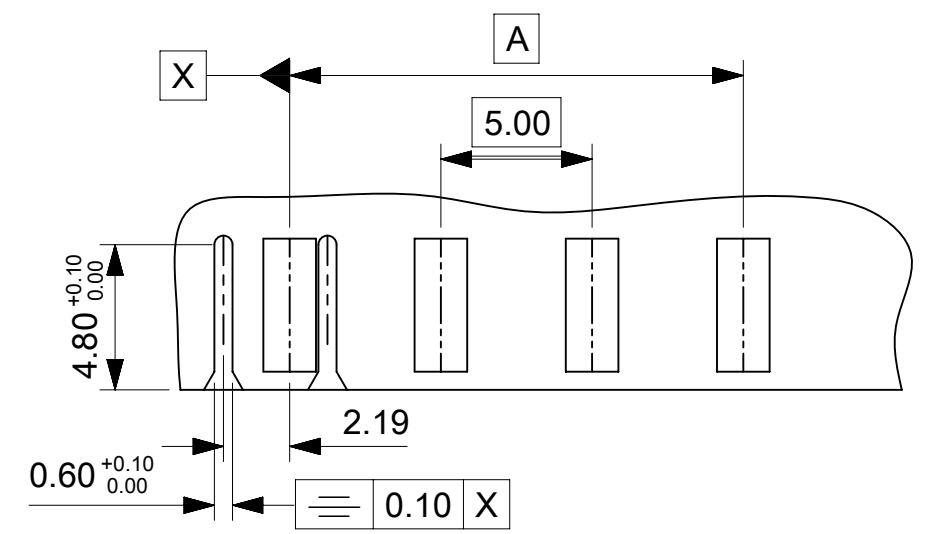
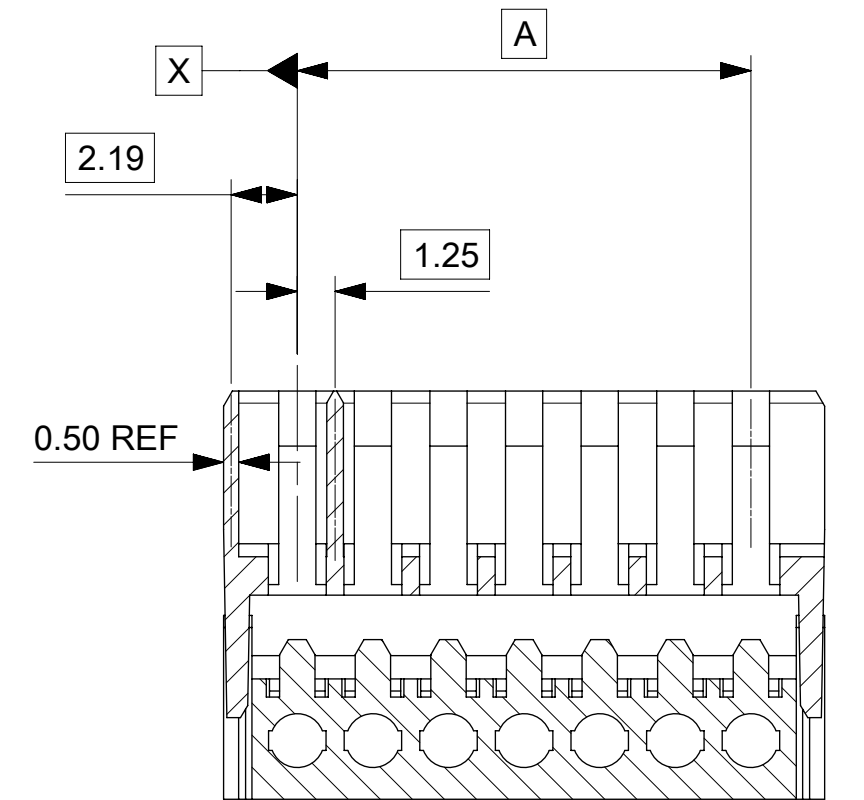
END WALL OPTION F

| FIRST END WALL | LAST END WALL |
|----------------|---------------|
| NARROW | OPEN |



END WALL OPTION G

| FIRST END WALL | LAST END WALL |
|----------------|---------------|
| NARROW FLUSH | OPEN |



THIS DRAWING CONTAINS INFORMATION THAT IS PROPRIETARY TO MOLEX ELECTRONIC TECHNOLOGIES, LLC AND SHOULD NOT BE USED WITHOUT WRITTEN PERMISSION

| | | | | |
|--|--------|------------------------|--------------|---------------------|
| DIMENSION UNITS | SCALE | CURRENT REV DESC: | | |
| mm | 1:1 | | | |
| GENERAL TOLERANCES (UNLESS SPECIFIED) | | | | |
| ANGULAR TOL | ± 0.5° | EC NO: | 675456 | |
| 4 PLACES | ± | DRWN: | MBN02 | 2021/08/25 |
| 3 PLACES | ± 0.05 | CHK'D: | MBN02 | 2021/08/26 |
| 2 PLACES | ± 0.1 | APPR: | SDEVITT | 2021/09/28 |
| 1 PLACE | ± 0.2 | INITIAL REVISION: | | |
| 0 PLACES | ± | DRWN: | CFISHER01 | 2016/01/19 |
| | | APPR: | MSHANAHAN | 2016/02/09 |
| DRAFT WHERE APPLICABLE MUST REMAIN WITHIN DIMENSIONS | | THIRD ANGLE PROJECTION | DRAWING | SERIES |
| | | | A2-SIZE | 93051 |
| DOCUMENT STATUS | | P1 | RELEASE DATE | 2021/09/28 05:26:24 |
| MATERIAL NUMBER | | SEE TABLE | CUSTOMER | GENERAL MARKET |
| DOC TYPE | | PSD | DOC PART | 000 |
| REVISION | | E1 | | |
| SHEET NUMBER | | 3 OF 9 | | |

molex

APPLI-MATE 2.5 FEMALE
G.W.T. 750 VERSION 5MM PITCH

PRODUCT CUSTOMER DRAWING

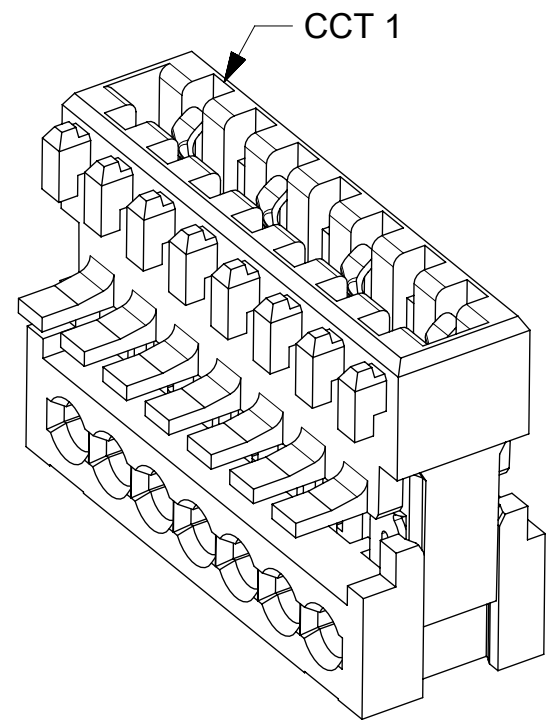
DOCUMENT NUMBER DOC TYPE DOC PART REVISION

930510001

PSD 000 E1

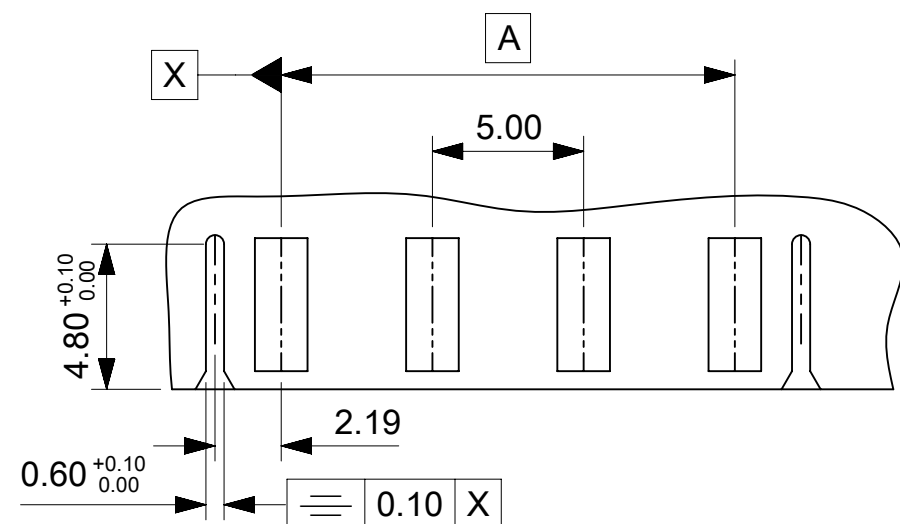
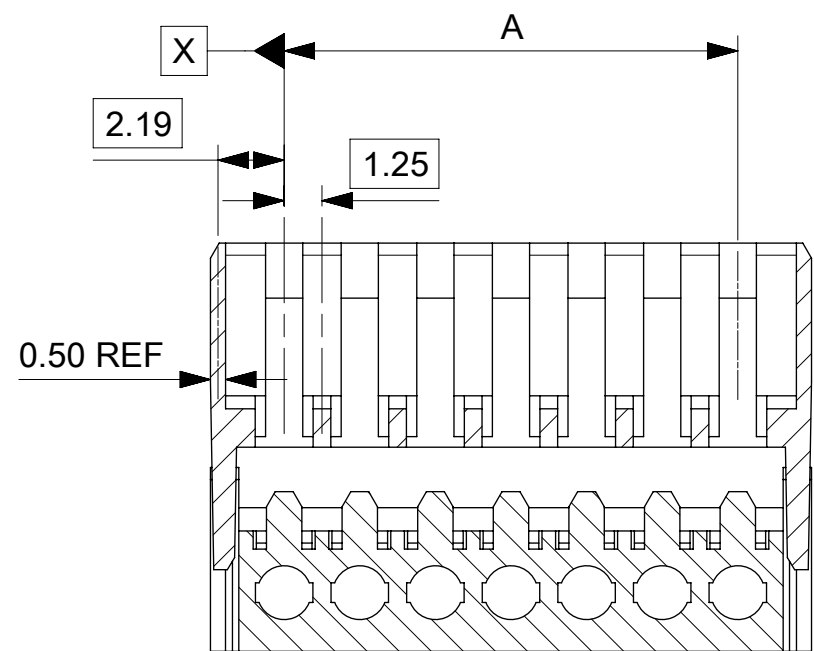
MATERIAL NUMBER CUSTOMER SHEET NUMBER

SEE TABLE GENERAL MARKET 3 OF 9



END WALL OPTION H

| | |
|----------------|---------------|
| FIRST END WALL | LAST END WALL |
| NARROW FLUSH | NARROW FLUSH |



THIS DRAWING CONTAINS INFORMATION THAT IS PROPRIETARY TO MOLEX ELECTRONIC TECHNOLOGIES, LLC AND SHOULD NOT BE USED WITHOUT WRITTEN PERMISSION

| | | | | | | | |
|--|--------|------------------------|------------|---|----------------|----------|--------|
| DIMENSION UNITS | SCALE | CURRENT REV DESC: | | molex | | | |
| mm | 1:1 | | | | | | |
| GENERAL TOLERANCES (UNLESS SPECIFIED) | | | | APPLI-MATE 2.5 FEMALE G.W.T. 750 VERSION 5MM PITCH | | | |
| ANGULAR TOL | ± 0.5° | | | PRODUCT CUSTOMER DRAWING | | | |
| 4 PLACES | ± | EC NO: 675456 | | DOCUMENT NUMBER | | | |
| 3 PLACES | ± 0.05 | DRWN: MBN02 | 2021/08/25 | 930510001 | | | |
| 2 PLACES | ± 0.1 | CHK'D: MBN02 | 2021/08/26 | DOC TYPE | DOC PART | REVISION | |
| 1 PLACE | ± 0.2 | APPR: SDEVITT | 2021/09/28 | PSD | 000 | E1 | |
| 0 PLACES | ± | INITIAL REVISION: | | SHEET NUMBER | | | |
| DRAFT WHERE APPLICABLE MUST REMAIN WITHIN DIMENSIONS | | DRWN: CFISHER01 | 2016/01/19 | MATERIAL NUMBER | | CUSTOMER | |
| | | APPR: MSHANAHAN | 2016/02/09 | SEE TABLE | GENERAL MARKET | | 4 OF 9 |
| | | THIRD ANGLE PROJECTION | DRAWING | SERIES | SHEET NUMBER | | |
| | | | A2-SIZE | 93051 | 4 OF 9 | | |

| | | | | |
|-----------------|----|--------------|------------|----------|
| DOCUMENT STATUS | P1 | RELEASE DATE | 2021/09/28 | 05:26:24 |
|-----------------|----|--------------|------------|----------|

| 2 CIRCUIT | | | | | | | |
|-------------|--------------|-----------------------|---------------|---------------|--------------|------------------------|---------------|
| PART NUMBER | HOUSING USED | REMOVED POSITION KEYS | CONFIGURATION | FIRST ENDWALL | LAST ENDWALL | POLARIZING RIB BETWEEN | COLOUR STRIPE |
| 93051-0001 | 93049-0003 | NONE | | OPEN | OPEN | NONE | RED |
| 93051-0002 | 93049-0003 | NONE | | OPEN | OPEN | NONE | NONE |
| 93051-0003 | 93049-0003 | a | | OPEN | OPEN | NONE | NONE |
| 93051-0004 | 93049-0003 | b | | OPEN | OPEN | NONE | BLUE |
| 93051-0005 | 93049-0003 | c | | OPEN | OPEN | NONE | NONE |
| 93051-0006 | 93049-0003 | c | | OPEN | OPEN | NONE | BLACK |
| 93051-0007 | 93049-0003 | b d | | OPEN | OPEN | NONE | BLUE |
| 93051-0008 | 93049-0003 | b c | | OPEN | OPEN | NONE | BLUE |
| 93051-0012 | 93049-0003 | a b | | OPEN | OPEN | NONE | NONE |
| 93051-0013 | 93049-0003 | b d | | OPEN | OPEN | NONE | NONE |
| 93051-0014 | 93049-0003 | b | | OPEN | OPEN | NONE | NONE |
| 93051-0015 | 93049-0003 | b c | | OPEN | OPEN | NONE | NONE |
| 93051-0017 | 93049-0003 | a d | | OPEN | OPEN | NONE | NONE |
| 93051-0018 | 93049-0003 | a c | | OPEN | OPEN | NONE | NONE |
| 93051-0019 | 93049-0103 | a d | | OPEN | OPEN | BETWEEN CCT 1&2 | NONE |
| 93051-0020 | 93049-0003 | d | | OPEN | OPEN | NONE | BLUE |
| 93051-0021 | 93049-0003 | c d | | OPEN | OPEN | NONE | RED |
| 93051-0024 | 93049-0003 | a d | | OPEN | OPEN | NONE | BLUE |
| 93051-0025 | 93049-0003 | a b | | OPEN | OPEN | NONE | BLUE |
| 93051-0026 | 93049-0043 | c | | OPEN | CLOSED | NONE | NONE |
| 93051-0027 | 93049-0003 | a c d | | OPEN | OPEN | NONE | NONE |
| 93051-0028 | 93049-0003 | d | | OPEN | OPEN | NONE | NONE |
| 93051-0029 | 93049-0003 | ALL | | OPEN | OPEN | NONE | NONE |
| 93051-0030 | 93049-0003 | c d | | OPEN | OPEN | NONE | NONE |
| 93051-0031 | 93049-0003 | ALL | | OPEN | OPEN | NONE | BLACK |
| 93051-0032 | 93049-0003 | a b c | | OPEN | OPEN | NONE | BLUE |
| 93051-0033 | 93049-0043 | a c | | OPEN | CLOSED | NONE | NONE |
| 93051-0034 | 93049-0003 | a c d | | OPEN | OPEN | NONE | VIOLET |
| 93051-0035 | 93049-0003 | c | | OPEN | OPEN | NONE | BLUE |
| 93051-0036 | 93049-0003 | a | | OPEN | OPEN | NONE | BLACK |

| 2 CIRCUIT | | | | | | | |
|-------------|--------------|-----------------------|---------------|---------------|--------------|------------------------|---------------|
| PART NUMBER | HOUSING USED | REMOVED POSITION KEYS | CONFIGURATION | FIRST ENDWALL | LAST ENDWALL | POLARIZING RIB BETWEEN | COLOUR STRIPE |
| 93051-0037 | 93049-0003 | d | | OPEN | OPEN | NONE | YELLOW |
| 93051-0038 | 93049-0003 | b d | | OPEN | OPEN | NONE | BROWN |
| 93051-0039 | 93049-0003 | b | | OPEN | OPEN | NONE | GREEN |
| 93051-0040 | 93049-0003 | c d | | OPEN | OPEN | NONE | BLUE |
| 93051-0041 | 93049-0003 | a b d | | OPEN | OPEN | NONE | NONE |
| 93051-0042 | 93049-0003 | a c | | OPEN | OPEN | NONE | GREEN |
| 93051-0044 | 93049-0003 | b d | | OPEN | OPEN | NONE | RED |
| 93051-0045 | 93049-0003 | NONE | | OPEN | OPEN | NONE | BLUE |
| 93051-0046 | 93049-0003 | b c d | | OPEN | OPEN | NONE | NONE |
| 93051-0047 | 93049-0163 | NONE | | CLOSED | OPEN | BETWEEN CCT 1&2 | NONE |
| 93051-0048 | 93049-0223 | NONE | | CLOSED | CLOSED | BETWEEN CCT 2&3 | NONE |
| 93051-0049 | 93049-0003 | ALL | | OPEN | OPEN | NONE | BLUE |
| 93051-0050 | 93049-0203 | NONE | | OPEN | OPEN | BETWEEN CCT 2&3 | NONE |
| 93051-0051 | 93049-0103 | b | | OPEN | OPEN | BETWEEN CCT 1&2 | NONE |
| 93051-0052 | 93049-0103 | a | | OPEN | OPEN | BETWEEN CCT 1&2 | NONE |
| 93051-0053 | 93049-0003 | NONE | | OPEN | OPEN | NONE | GREEN |
| 93051-0054 | 93049-0003 | NONE | | OPEN | OPEN | NONE | BROWN |
| 93051-0055 | 93049-0003 | d | | OPEN | OPEN | NONE | BLACK |
| 93051-0056 | 93049-0003 | a c | | OPEN | OPEN | NONE | RED |
| 93051-0057 | 93049-0003 | NONE | | OPEN | OPEN | NONE | ORANGE |
| 93051-0058 | 93049-0203 | a | | OPEN | OPEN | BETWEEN CCT 2&3 | RED |
| 93051-0059 | 93049-0003 | NONE | | OPEN | OPEN | NONE | BLACK |

2CCT CONTINUED ON NEXT SHEET

NOTES

- + DENOTES TERMINAL VOIDED POSITION
⊕ DENOTES TERMINAL LOADED POSITION
| DENOTES POLARIZING RIB POSITION
- MOLEX HOUSING NO. FOR REFERENCE ONLY

| | | | | | | | | | |
|---|--|------------------------|--|--|--|----------|--|----------------|--|
| THIS DRAWING CONTAINS INFORMATION THAT IS PROPRIETARY TO MOLEX ELECTRONIC TECHNOLOGIES, LLC AND SHOULD NOT BE USED WITHOUT WRITTEN PERMISSION | | | | | | | | | |
| DIMENSION UNITS | | SCALE | | CURRENT REV DESC: | | | | | |
| mm | | 1:1 | | | | | | | |
| GENERAL TOLERANCES (UNLESS SPECIFIED) | | | | <p>EC NO: 675456</p> <p>DRWN: MBN02 2021/08/25</p> <p>CHK'D: MBN02 2021/08/26</p> <p>APPR: SDEVITT 2021/09/28</p> <p>INITIAL REVISION:</p> <p>DRWN: CFISHER01 2016/01/19</p> <p>APPR: MSHANAHAN 2016/02/09</p> | | | | | |
| ANGULAR TOL | | ± 0.5° | | | | | | | |
| 4 PLACES | | ± | | | | | | | |
| 3 PLACES | | ± 0.05 | | | | | | | |
| 2 PLACES | | ± 0.1 | | <p>PRODUCT CUSTOMER DRAWING</p> <p>DOCUMENT NUMBER: 930510001</p> <p>DOC TYPE: PSD</p> <p>DOC PART: 000</p> <p>REVISION: E1</p> | | | | | |
| 1 PLACE | | ± 0.2 | | | | | | | |
| 0 PLACES | | ± | | MATERIAL NUMBER | | CUSTOMER | | SHEET NUMBER | |
| DRAFT WHERE APPLICABLE MUST REMAIN WITHIN DIMENSIONS | | THIRD ANGLE PROJECTION | | DRAWING | | SERIES | | SEE TABLE | |
| | | | | A2-SIZE | | 93051 | | GENERAL MARKET | |
| | | | | | | | | 5 OF 9 | |



APPLI-MATE 2.5 FEMALE
G.W.T. 750 VERSION 5MM PITCH

PRODUCT CUSTOMER DRAWING

930510001

PSD 000 E1

2 CIRCUIT (CONT)

| PART NUMBER | HOUSING USED | REMOVED POSITION KEYS | CONFIGURATION | FIRST ENDWALL | LAST ENDWALL | POLARIZING RIB BETWEEN | COLOUR STRIPE |
|-------------|--------------|-----------------------|---------------|---------------|--------------|------------------------|---------------|
| 93051-0060 | 93049-0003 | b c | | OPEN | OPEN | NONE | BLACK |
| 93051-0061 | 93049-0143 | NONE | | OPEN | CLOSED | BETWEEN CCT 1&2 | BLUE |
| 93051-0062 | 93049-0163 | NONE | | CLOSED | OPEN | BETWEEN CCT 1&2 | RED |
| 93051-0063 | 93049-0263 | NONE | | CLOSED | OPEN | BETWEEN CCT 2&3 | RED |
| 93051-0064 | 93049-0023 | NONE | | CLOSED | CLOSED | NONE | NONE |
| 93051-0065 | 93049-0103 | NONE | | OPEN | OPEN | BETWEEN CCT 1&2 | NONE |
| 93051-0066 | 93049-0003 | a b c | | OPEN | OPEN | NONE | BLACK |
| 93051-0067 | 93049-0003 | a b | | OPEN | OPEN | NONE | RED |
| 93051-0068 | 93049-0003 | a b c | | OPEN | OPEN | NONE | NONE |
| 93051-0069 | 93049-0003 | c | | OPEN | OPEN | NONE | RED |
| 93051-0070 | 93049-0003 | a b c | | OPEN | OPEN | NONE | BROWN |
| 93051-0071 | 93049-0003 | b c d | | OPEN | OPEN | NONE | BLACK |
| 93051-0072 | 93049-0003 | b | | OPEN | OPEN | NONE | RED |
| 93051-0073 | 93049-0003 | NONE | | OPEN | OPEN | NONE | PURPLE |
| 93051-0074 | 93049-0003 | a c | | OPEN | OPEN | NONE | YELLOW |
| 93051-0075 | 93049-0003 | NONE | | OPEN | OPEN | NONE | YELLOW |
| 93051-0076 | 93049-0203 | a d | | OPEN | OPEN | BETWEEN CCT 2&3 | NONE |
| 93051-0077 | 93049-0003 | NONE | | OPEN | OPEN | NONE | YELLOW |
| 93051-0078 | 93049-0063 | NONE | | CLOSED | OPEN | NONE | NONE |
| 93051-0079 | 93049-0103 | d | | OPEN | OPEN | BETWEEN CCT 1&2 | NONE |
| 93051-0080 | 93049-0103 | b d | | OPEN | OPEN | BETWEEN CCT 1&2 | RED |
| 93051-0081 | 93049-0023 | d | | CLOSED | CLOSED | NONE | NONE |
| 93051-0082 | 93049-0023 | b c | | CLOSED | CLOSED | NONE | NONE |

3 CIRCUIT

| PART NUMBER | HOUSING USED | REMOVED POSITION KEYS | CONFIGURATION | FIRST ENDWALL | LAST ENDWALL | POLARIZING RIB BETWEEN | COLOUR STRIPE |
|-------------|--------------|-----------------------|---------------|---------------|--------------|------------------------|---------------|
| 93051-1001 | 93049-0005 | NONE | | OPEN | OPEN | NONE | NONE |
| 93051-1002 | 93049-0005 | c d f | | OPEN | OPEN | NONE | NONE |
| 93051-1003 | 93049-0005 | a d e | | OPEN | OPEN | NONE | NONE |
| 93051-1004 | 93049-0005 | d e f | | OPEN | OPEN | NONE | NONE |
| 93051-1005 | 93049-0005 | b c d | | OPEN | OPEN | NONE | NONE |
| 93051-1006 | 93049-0005 | a b d | | OPEN | OPEN | NONE | NONE |
| 93051-1007 | 93049-0005 | a d e f | | OPEN | OPEN | NONE | NONE |
| 93051-1008 | 93049-0005 | b c e | | OPEN | OPEN | NONE | NONE |
| 93051-1009 | 93049-0005 | a c d | | OPEN | OPEN | NONE | NONE |
| 93051-1010 | 93049-0005 | b d e | | OPEN | OPEN | NONE | BLUE |
| 93051-1011 | 93049-0005 | b d e | | OPEN | OPEN | NONE | NONE |
| 93051-1012 | 93049-0005 | b c e | | OPEN | OPEN | NONE | NONE |
| 93051-1014 | 93049-0005 | e f | | OPEN | OPEN | NONE | NONE |
| 93051-1015 | 93049-0005 | b d | | OPEN | OPEN | NONE | NONE |
| 93051-1016 | 93049-0005 | f | | OPEN | OPEN | NONE | NONE |
| 93051-1017 | 93049-0005 | a f | | OPEN | OPEN | NONE | NONE |
| 93051-1018 | 93049-0005 | c d e | | OPEN | OPEN | NONE | NONE |
| 93051-1019 | 93049-0005 | NONE | | OPEN | OPEN | NONE | BLUE |
| 93051-1020 | 93049-0005 | a b d e f | | OPEN | OPEN | NONE | NONE |
| 93051-1021 | 93049-0005 | a b c f | | OPEN | OPEN | NONE | NONE |
| 93051-1022 | 93049-0005 | NONE | | OPEN | OPEN | NONE | GREEN |
| 93051-1023 | 93049-0005 | b c d e | | OPEN | OPEN | NONE | NONE |
| 93051-1024 | 93049-0005 | a d f | | OPEN | OPEN | NONE | RED |
| 93051-1025 | 93049-0005 | NONE | | OPEN | OPEN | NONE | RED |

3CCT CONTINUED ON NEXT SHEET

| | | | | | | | | | | | | | |
|---|--|------------------------|--|---|--|----------------|--|-----------------|--|---------------|--|------------|--|
| THIS DRAWING CONTAINS INFORMATION THAT IS PROPRIETARY TO MOLEX ELECTRONIC TECHNOLOGIES, LLC AND SHOULD NOT BE USED WITHOUT WRITTEN PERMISSION | | | | | | | | | | | | | |
| DIMENSION UNITS | | SCALE | | CURRENT REV DESC: | | | | | | | | | |
| mm | | 1:1 | | | | | | | | | | | |
| GENERAL TOLERANCES (UNLESS SPECIFIED) | | | | molex APPLI-MATE 2.5 FEMALE G.W.T. 750 VERSION 5MM PITCH PRODUCT CUSTOMER DRAWING | | | | | | | | | |
| ANGULAR TOL | | ± 0.5° | | | | | | | | EC NO: 675456 | | 2021/08/25 | |
| 4 PLACES | | ± | | | | | | | | DRWN: MBN02 | | 2021/08/26 | |
| 3 PLACES | | ± 0.05 | | | | | | | | CHK'D: MBN02 | | 2021/09/28 | |
| 2 PLACES | | ± 0.1 | | | | | | | | APPR: SDEVITT | | | |
| 1 PLACE | | ± 0.2 | | INITIAL REVISION: | | | | DOCUMENT NUMBER | | | | | |
| 0 PLACES | | ± | | DRWN: CFISHER01 | | 2016/01/19 | | 930510001 | | | | | |
| | | | | APPR: MSHANAHAN | | 2016/02/09 | | PSD 000 E1 | | | | | |
| DRAFT WHERE APPLICABLE MUST REMAIN WITHIN DIMENSIONS | | THIRD ANGLE PROJECTION | | DRAWING | | SERIES | | SHEET NUMBER | | | | | |
| | | | | A2-SIZE | | 93051 | | 6 OF 9 | | | | | |
| MATERIAL NUMBER | | CUSTOMER | | SEE TABLE | | GENERAL MARKET | | | | | | | |

NOTES

- + DENOTES TERMINAL VOIDED POSITION
⊕ DENOTES TERMINAL LOADED POSITION
| DENOTES POLARIZING RIB POSITION
- MOLEX HOUSING NO. FOR REFERENCE ONLY

3 CIRCUIT

| PART NUMBER | HOUSING USED | REMOVED POSITION KEYS | CONFIGURATION | FIRST ENDWALL | LAST ENDWALL | POLARIZING RIB BETWEEN | COLOUR STRIPE |
|-------------|--------------|-----------------------|---------------|---------------|--------------|------------------------|---------------|
| 93051-1027 | 93049-0005 | a c d | | OPEN | OPEN | NONE | RED |
| 93051-1028 | 93049-0005 | NONE | | OPEN | OPEN | NONE | PURPLE |
| 93051-1029 | 93049-0425 | NONE | | CLOSED | CLOSED | BETWEEN CCT 4&5 | NONE |
| 93051-1030 | 93049-0005 | a b c | | OPEN | OPEN | NONE | NONE |
| 93051-1031 | 93049-0005 | a | | OPEN | OPEN | NONE | NONE |
| 93051-1032 | 93049-0005 | c | | OPEN | OPEN | NONE | NONE |
| 93051-1033 | 93049-0005 | d | | OPEN | OPEN | NONE | NONE |
| 93051-1034 | 93049-0005 | b c | | OPEN | OPEN | NONE | NONE |
| 93051-1035 | 93049-0005 | b | | OPEN | OPEN | NONE | NONE |
| 93051-1036 | 93049-0125 | NONE | | CLOSED | CLOSED | BETWEEN CCT 1&2 | NONE |
| 93051-1037 | 93049-0025 | NONE | | CLOSED | CLOSED | NONE | NONE |
| 93051-1038 | 93049-0005 | b c d e | | OPEN | OPEN | NONE | BLUE |
| 93051-1039 | 93049-0243 | NONE | | OPEN | OPEN | BETWEEN CCT 2&3 | NONE |
| 93051-1040 | 93049-0005 | b | | OPEN | OPEN | NONE | NONE |
| 93051-1041 | 93049-0005 | a c | | OPEN | OPEN | NONE | NONE |

4CCT CONTINUED ON NEXT SHEET

NOTES

- + DENOTES TERMINAL VOIDED POSITION
⊕ DENOTES TERMINAL LOADED POSITION
| DENOTES POLARIZING RIB POSITION
- MOLEX HOUSING NO. FOR REFERENCE ONLY

| | | | | | | | | | |
|---|--------|----------------------------|---------|--------|---|----------------|--------|--|--|
| THIS DRAWING CONTAINS INFORMATION THAT IS PROPRIETARY TO MOLEX ELECTRONIC TECHNOLOGIES, LLC AND SHOULD NOT BE USED WITHOUT WRITTEN PERMISSION | | | | | | | | | |
| DIMENSION UNITS | SCALE | CURRENT REV DESC: | | | | | | | |
| mm | 1:1 | | | | | | | | |
| GENERAL TOLERANCES (UNLESS SPECIFIED) | | EC NO: 675456 | | | APPLI-MATE 2.5 FEMALE G.W.T. 750 VERSION 5MM PITCH | | | | |
| ANGULAR TOL | ± 0.5° | DRWN: MBN02 2021/08/25 | | | | | | | |
| 4 PLACES | ± | CHK'D: MBN02 2021/08/26 | | | PRODUCT CUSTOMER DRAWING | | | | |
| 3 PLACES | ± 0.05 | APPR: SDEVITT 2021/09/28 | | | | | | | |
| 2 PLACES | ± 0.1 | INITIAL REVISION: | | | DOCUMENT NUMBER 930510001 | | | | |
| 1 PLACE | ± 0.2 | DRWN: CFISHER01 2016/01/19 | | | | | | | |
| 0 PLACES | ± | APPR: MSHANAHAN 2016/02/09 | | | DOC TYPE: PSD DOC PART: 000 REVISION: E1 | | | | |
| DRAFT WHERE APPLICABLE MUST REMAIN WITHIN DIMENSIONS | | THIRD ANGLE PROJECTION | DRAWING | SERIES | | | | | |
| | | | A2-SIZE | 93051 | SEE TABLE | GENERAL MARKET | 7 OF 9 | | |

| | | | | |
|-----------------|----|--------------|------------|----------|
| DOCUMENT STATUS | P1 | RELEASE DATE | 2021/09/28 | 05:26:24 |
|-----------------|----|--------------|------------|----------|

4 CIRCUIT

| PART NUMBER | HOUSING USED | REMOVED POSITION KEYS | CONFIGURATION | FIRST ENDWALL | LAST ENDWALL | POLARIZING RIB BETWEEN | COLOUR STRIPE |
|-------------|------------------------------|-----------------------|---------------|---------------|--------------|------------------------|---------------|
| 93051-2001 | 93049-0007 | NONE | | OPEN | OPEN | NONE | NONE |
| 93051-2002 | 93049-0007 | ALL | | OPEN | OPEN | NONE | NONE |
| 93051-2003 | 93049-0007 | b c d f | | OPEN | OPEN | NONE | NONE |
| 93051-2004 | 93049-0007 | d e f g | | OPEN | OPEN | NONE | NONE |
| 93051-2005 | 93049-0007 | a b e f h | | OPEN | OPEN | NONE | NONE |
| 93051-2006 | 93049-0007 | d e f g h | | OPEN | OPEN | NONE | NONE |
| 93051-2007 | 93049-0007 | c d | | OPEN | OPEN | NONE | NONE |
| 93051-2008 | 93049-0007 | b c d e | | OPEN | OPEN | NONE | NONE |
| 93051-2009 | 93049-0007 | a b d e g | | OPEN | OPEN | NONE | NONE |
| 93051-2010 | 93049-0007 | b e | | OPEN | OPEN | NONE | NONE |
| 93051-2011 | 93049-0007 | a b d e g | | OPEN | OPEN | NONE | RED |
| 93051-2012 | 93049-0007 | d e f g | | OPEN | OPEN | NONE | NONE |
| 93051-2013 | 93049-0007 | a b e f h | | OPEN | OPEN | NONE | NONE |
| 93051-2014 | VOID-Duplicate of 93051-2003 | | | | | | |
| 93051-2015 | 93049-0007 | NONE | | OPEN | OPEN | NONE | BLUE |
| 93051-2016 | 93049-0007 | a c e g | | OPEN | OPEN | NONE | NONE |
| 93051-2017 | 93049-0007 | a b d f g h | | OPEN | OPEN | NONE | NONE |
| 93051-2018 | 93049-0007 | c d e f g | | OPEN | OPEN | NONE | NONE |
| 93051-2019 | 93049-0007 | f g h | | OPEN | OPEN | NONE | NONE |
| 93051-2020 | 93049-0007 | a c d f g | | OPEN | OPEN | NONE | NONE |
| 93051-2021 | 93049-0007 | a b c d e f | | OPEN | OPEN | NONE | NONE |
| 93051-2022 | 93049-0007 | a d g | | OPEN | OPEN | NONE | BROWN |
| 93051-2023 | 93049-0007 | a b f g h | | OPEN | OPEN | NONE | BROWN |
| 93051-2024 | 93049-0007 | NONE | | OPEN | OPEN | NONE | GREEN |
| 93051-2025 | 93049-0007 | d f h | | OPEN | OPEN | NONE | NONE |
| 93051-2026 | 93049-0007 | c e f g h | | OPEN | OPEN | NONE | NONE |
| 93051-2027 | 93049-0007 | a d g | | OPEN | OPEN | NONE | NONE |
| 93051-2028 | 93049-0007 | a b f g h | | OPEN | OPEN | NONE | NONE |
| 93051-2029 | 93049-0007 | b d e | | OPEN | OPEN | NONE | NONE |
| 93051-2030 | 93049-0007 | a b c d g | | OPEN | OPEN | NONE | NONE |

4 CIRCUIT

| PART NUMBER | HOUSING USED | REMOVED POSITION KEYS | CONFIGURATION | FIRST ENDWALL | LAST ENDWALL | POLARIZING RIB BETWEEN | COLOUR STRIPE |
|-------------|--------------|-----------------------|---------------|---------------|--------------|------------------------|---------------|
| 93051-2031 | 93049-0327 | NONE | | CLOSED | CLOSED | BETWEEN CCT 3&4 | NONE |
| 93051-2032 | 93049-0407 | NONE | | OPEN | OPEN | BETWEEN CCT 4&5 | NONE |
| 93051-2033 | 93049-0307 | NONE | | OPEN | OPEN | BETWEEN CCT 3&4 | NONE |

5 CIRCUIT

| PART NUMBER | HOUSING USED | REMOVED POSITION KEYS | CONFIGURATION | FIRST ENDWALL | LAST ENDWALL | POLARIZING RIB BETWEEN | COLOUR STRIPE |
|-------------|--------------|-----------------------|---------------|---------------|--------------|------------------------|---------------|
| 93051-3001 | 93049-0009 | NONE | | OPEN | OPEN | NONE | NONE |
| 93051-3002 | 93049-0009 | c e f h | | OPEN | OPEN | NONE | NONE |
| 93051-3003 | 93049-0009 | b d f g i | | OPEN | OPEN | NONE | NONE |
| 93051-3004 | 93049-0009 | c e g h | | OPEN | OPEN | NONE | NONE |
| 93051-3005 | 93049-0009 | a c | | OPEN | OPEN | NONE | NONE |
| 93051-3006 | 93049-0009 | NONE | | OPEN | OPEN | NONE | RED |
| 93051-3007 | 93049-0009 | b d f h j | | OPEN | OPEN | NONE | BLACK |
| 93051-3008 | 93049-0009 | NONE | | OPEN | OPEN | NONE | BLACK |
| 93051-3009 | 93049-0009 | b d e f h j | | OPEN | OPEN | NONE | BLACK |
| 93051-3010 | 93049-0009 | b c e g h | | OPEN | OPEN | NONE | NONE |
| 93051-3011 | 93049-0069 | NONE | | CLOSED | OPEN | NONE | NONE |
| 93051-3012 | 93049-0009 | a b | | OPEN | OPEN | NONE | NONE |
| 93051-3013 | 93049-0109 | NONE | | OPEN | OPEN | BETWEEN CCT 1&2 | NONE |
| 93051-3014 | 93049-0009 | b c d e f g i j | | OPEN | OPEN | NONE | NONE |

NOTES

- + DENOTES TERMINAL VOIDED POSITION
⊕ DENOTES TERMINAL LOADED POSITION
| DENOTES POLARIZING RIB POSITION
- MOLEX HOUSING NO. FOR REFERENCE ONLY

| | | | | | | | | | |
|---|--|--------|--|---|--|----------------|--|-----------------|--|
| THIS DRAWING CONTAINS INFORMATION THAT IS PROPRIETARY TO MOLEX ELECTRONIC TECHNOLOGIES, LLC AND SHOULD NOT BE USED WITHOUT WRITTEN PERMISSION | | | | | | | | | |
| DIMENSION UNITS | | SCALE | | CURRENT REV DESC: | | | | | |
| mm | | 1:1 | | | | | | | |
| GENERAL TOLERANCES (UNLESS SPECIFIED) | | | | <p>molex</p> <p>APPLI-MATE 2.5 FEMALE G.W.T. 750 VERSION 5MM PITCH</p> <p>PRODUCT CUSTOMER DRAWING</p> <p>DOCUMENT NUMBER: 930510001 DOC TYPE: PSD DOC PART: 000 REVISION: E1</p> | | | | | |
| ANGULAR TOL | | ± 0.5° | | | | | | | |
| 4 PLACES | | ± | | | | | | | |
| 3 PLACES | | ± 0.05 | | | | | | | |
| 2 PLACES | | ± 0.1 | | | | | | | |
| 1 PLACE | | ± 0.2 | | EC NO: 675456 | | 2021/08/25 | | | |
| 0 PLACES | | ± | | DRWN: MBN02 | | 2021/08/26 | | | |
| DRAFT WHERE APPLICABLE MUST REMAIN WITHIN DIMENSIONS | | | | THIRD ANGLE PROJECTION | | DRAWING | | SERIES | |
| | | | | A2-SIZE | | 93051 | | MATERIAL NUMBER | |
| | | | | SEE TABLE | | GENERAL MARKET | | SHEET NUMBER | |
| | | | | | | | | 8 OF 9 | |

| 6 CIRCUIT | | | | | | | |
|-------------|--------------|-----------------------|---------------|---------------|--------------|------------------------|---------------|
| PART NUMBER | HOUSING USED | REMOVED POSITION KEYS | CONFIGURATION | FIRST ENDWALL | LAST ENDWALL | POLARIZING RIB BETWEEN | COLOUR STRIPE |
| 93051-4001 | 93049-0011 | NONE | | OPEN | OPEN | NONE | NONE |
| 93051-4002 | 93049-0011 | defghi | | OPEN | OPEN | NONE | NONE |
| 93051-4003 | 93049-0011 | cdehij | | OPEN | OPEN | NONE | NONE |
| 93051-4004 | 93049-0011 | abefghkl | | OPEN | OPEN | NONE | NONE |
| 93051-4005 | 93049-0011 | abefhik | | OPEN | OPEN | NONE | NONE |
| 93051-4006 | 93049-0011 | bcfgjk | | OPEN | OPEN | NONE | NONE |
| 93051-4007 | 93049-0011 | defghil | | OPEN | OPEN | NONE | NONE |
| 93051-4008 | 93049-0011 | NONE | | OPEN | OPEN | NONE | BLUE |
| 93051-4009 | 93049-0011 | abcdefijkl | | OPEN | OPEN | NONE | NONE |
| 93051-4010 | 93049-0011 | NONE | | OPEN | OPEN | NONE | GREEN |
| 93051-4011 | 93049-0011 | cdfhij | | OPEN | OPEN | NONE | NONE |
| 93051-4012 | 93049-0011 | abcdgijkl | | OPEN | OPEN | NONE | NONE |
| 93051-4013 | 93049-0011 | NONE | | OPEN | OPEN | NONE | BLACK |
| 93051-4014 | 93049-0011 | bdefhj | | OPEN | OPEN | NONE | BLACK |
| 93051-4015 | 93049-0011 | cdefghl | | OPEN | OPEN | NONE | NONE |
| 93051-4016 | 93049-0011 | cdefhjk | | OPEN | OPEN | NONE | NONE |
| 93051-4017 | 93049-0531 | NONE | | CLOSED | CLOSED | BETWEEN CCT 5&6 | NONE |
| 93051-4018 | 93049-0031 | NONE | | CLOSED | CLOSED | NONE | NONE |

| 7 CIRCUIT | | | | | | | |
|-------------|--------------|-----------------------|---------------|---------------|--------------|------------------------|---------------|
| PART NUMBER | HOUSING USED | REMOVED POSITION KEYS | CONFIGURATION | FIRST ENDWALL | LAST ENDWALL | POLARIZING RIB BETWEEN | COLOUR STRIPE |
| 93051-5001 | 93049-0013 | NONE | | OPEN | OPEN | NONE | NONE |
| 93051-5002 | 93049-0013 | cdghijk | | OPEN | OPEN | NONE | NONE |
| 93051-5003 | 93049-0013 | acdfg | | OPEN | OPEN | NONE | NONE |
| 93051-5004 | 93049-0033 | NONE | | CLOSED | CLOSED | NONE | NONE |
| 93051-5005 | 93049-0013 | NONE | | OPEN | OPEN | NONE | ORANGE |

| 8 CIRCUIT | | | | | | | |
|-------------|--------------|-----------------------|---------------|---------------|--------------|------------------------|---------------|
| PART NUMBER | HOUSING USED | REMOVED POSITION KEYS | CONFIGURATION | FIRST ENDWALL | LAST ENDWALL | POLARIZING RIB BETWEEN | COLOUR STRIPE |
| 93051-5501 | 93049-0015 | NONE | | OPEN | OPEN | NONE | NONE |
| 93051-5502 | 93049-0215 | NONE | | OPEN | OPEN | BETWEEN CCT 2&3 | NONE |

| 9 CIRCUIT | | | | | | | |
|-------------|--------------|-----------------------|---------------|---------------|--------------|------------------------|---------------|
| PART NUMBER | HOUSING USED | REMOVED POSITION KEYS | CONFIGURATION | FIRST ENDWALL | LAST ENDWALL | POLARIZING RIB BETWEEN | COLOUR STRIPE |
| 93051-6001 | 93049-0017 | NONE | | OPEN | OPEN | NONE | NONE |
| 93051-6002 | 93049-0017 | bcddefgij | | OPEN | OPEN | NONE | NONE |

| 10 CIRCUIT | | | | | | | |
|-------------|--------------|-----------------------|---------------|---------------|--------------|------------------------|---------------|
| PART NUMBER | HOUSING USED | REMOVED POSITION KEYS | CONFIGURATION | FIRST ENDWALL | LAST ENDWALL | POLARIZING RIB BETWEEN | COLOUR STRIPE |
| 93051-6501 | 93049-0019 | NONE | | OPEN | OPEN | NONE | NONE |
| 93051-6502 | 93049-9917 | NONE | | OPEN | OPEN | 17 & 18 | NONE (E1) |
| 93051-6503 | 93049-0819 | NONE | | OPEN | OPEN | 8 & 9 | NONE (E1) |

NOTES

- + DENOTES TERMINAL VOIDED POSITION
⊕ DENOTES TERMINAL LOADED POSITION
| DENOTES POLARIZING RIB POSITION
- MOLEX HOUSING NO. FOR REFERENCE ONLY

| | | | | | | | | | |
|---|------------------------|-------------------|--------|-----------------|---|--|--------------|--|--|
| THIS DRAWING CONTAINS INFORMATION THAT IS PROPRIETARY TO MOLEX ELECTRONIC TECHNOLOGIES, LLC AND SHOULD NOT BE USED WITHOUT WRITTEN PERMISSION | | | | | | | | | |
| DIMENSION UNITS | SCALE | CURRENT REV DESC: | | | | | | | |
| mm | 1:1 | | | | | | | | |
| GENERAL TOLERANCES (UNLESS SPECIFIED) | | EC NO: 675456 | | | APPLI-MATE 2.5 FEMALE G.W.T. 750 VERSION 5MM PITCH | | | | |
| ANGULAR TOL | ± 0.5° | DRWN: MBN02 | | | 2021/08/25 | | | | |
| 4 PLACES | ± | CHK'D: MBN02 | | | 2021/08/26 | | | | |
| 3 PLACES | ± 0.05 | APPR: SDEVITT | | | 2021/09/28 | | | | |
| 2 PLACES | ± 0.1 | INITIAL REVISION: | | | DOCUMENT NUMBER | | | | |
| 1 PLACE | ± 0.2 | DRWN: CFISHER01 | | | 930510001 | | | | |
| 0 PLACES | ± | APPR: MSHANAHAN | | | PSD 000 E1 | | | | |
| DRAFT WHERE APPLICABLE MUST REMAIN WITHIN DIMENSIONS | THIRD ANGLE PROJECTION | DRAWING | SERIES | MATERIAL NUMBER | CUSTOMER | | SHEET NUMBER | | |
| | | A2-SIZE | 93051 | SEE TABLE | GENERAL MARKET | | 9 OF 9 | | |