

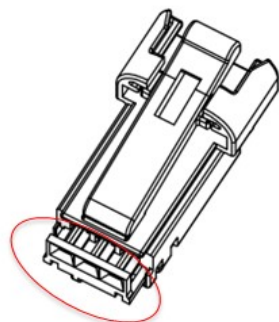


Product Change Notification

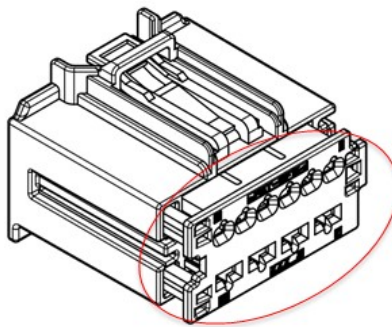
Date Issued :	September 28, 2022	PCN Number :	512568
Reason for Change :	Change Supplier		
Description of Change :	The purpose of this notice is to inform you that Molex will add a second source resin. Molex will take necessary qualification action on new source material to ensure the product meets the same form, fit, and function requires as defined in the current Molex product specification and sales drawing.		
Reason for Short Notice :	Special Request		
Assessment of Change :	Dimension analysis		
Planned Implementation Date :	January 22, 2023		
Sample Availability Date:	December 20, 2022		
Internal Molex Qualification Date :	December 22, 2022		
Last date to request Samples by Customer :	December 01, 2022		
Traceability Code Markings / Date :	Date code		

Before Picture

■ Photo of affected product



HDAC TPA



STAC64 TPA

After Picture

Overview

- 2021 ~ 2022 has caused a global shortage for various grades of resin. This extraordinary event, in conjunction with an already constrained market, has caused immediate and severe disruption in the industry. Due to these supply constraints of PBT marketing, Molex identified the shortage high risk of resin supplying which would create a challenge to fulfill all orders. Therefore, an alternative PBT has been identified for relative product.
- Molex team will take necessary qualification action on new source material to ensure the product meets the same form, fit, and function requires as defined in the current Molex product specification and sales drawing.
- Product Impact: "no impact to fit, form, function".
- Part Number Impact: see attached impacted parts list
- Planned Implementation date.
 - PPAP will be available upon request beginning December 22, 2022. Request for PPAP must occur by December 22, 2022. Submissions must will not occur without request.
 - If PPAP requested, disposition response required within 5 days of submit date or it will be considered approved.
 - If no PPAP requested by December 22, 2022, the PPAP will be considered approved.

RELEASED

You may address inquires regarding this PCN by clicking on the below link
mailto:pcn_coordinator@molex.com?subject=PCN_Notification:512568
or contact your Local Sales Engineer.

Note: While responding, please retain " PCN Notification : **PCN Notification: 512568** " in the e-mail Subject line for faster response.

[Molex, LLC](#)
2222 Wellington Court
Lisle, IL 60532
TEL (800) 786-6539
www.molex.com

PCN No Part List

512568 [0310671010](#)
512568 [0310671011](#)
512568 [0310671012](#)
512568 [0310671040](#)
512568 [0310671041](#)
512568 [0310671042](#)
512568 [0310671070](#)
512568 [0310671071](#)
512568 [0310681010](#)
512568 [0310681011](#)
512568 [0310681012](#)
512568 [0310681040](#)
512568 [0310681070](#)
512568 [0310681071](#)
512568 [0310681072](#)
512568 [0310721010](#)
512568 [0310721011](#)
512568 [0310721012](#)
512568 [0310721040](#)
512568 [0310721041](#)
512568 [0310721070](#)
512568 [0310721071](#)
512568 [0310731010](#)
512568 [0310731011](#)
512568 [0310731012](#)
512568 [0310731040](#)
512568 [0310731041](#)
512568 [0310731042](#)
512568 [0310731070](#)
512568 [0310731071](#)
512568 [0313721000](#)
512568 [0313721100](#)
512568 [0313721200](#)
512568 [0313721600](#)
512568 [0313721700](#)
512568 [0313721800](#)
512568 [0367690705](#)
512568 [0367691139](#)
512568 [0367691841](#)
512568 [0367692211](#)
512568 [0367692212](#)
512568 [0367692214](#)
512568 [0688000402](#)
512568 [0688000998](#)
512568 [0688001001](#)

512568 [0688001148](#)

512568 [0688001239](#)

512568 [0688001683](#)

512568 [0920011822](#)