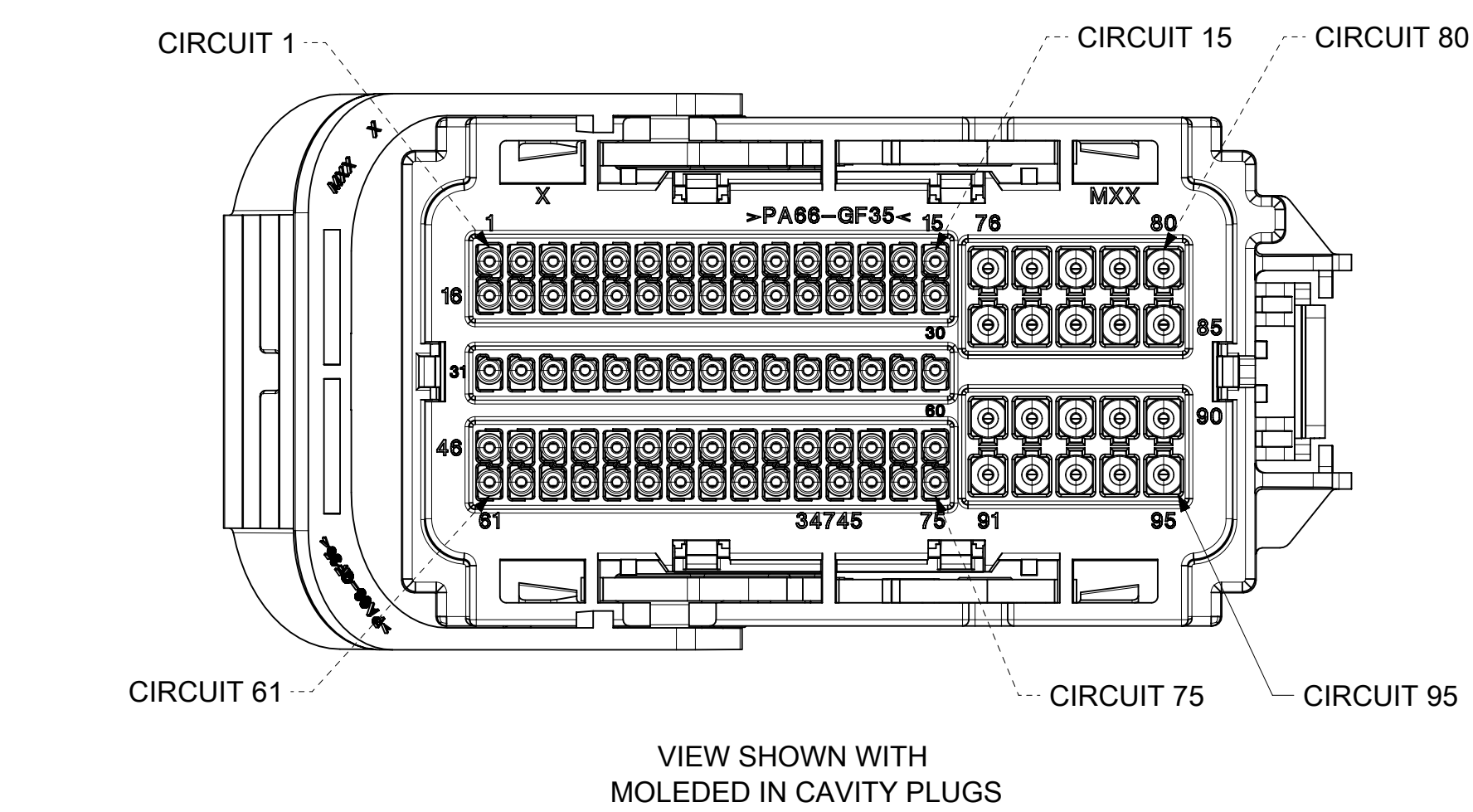
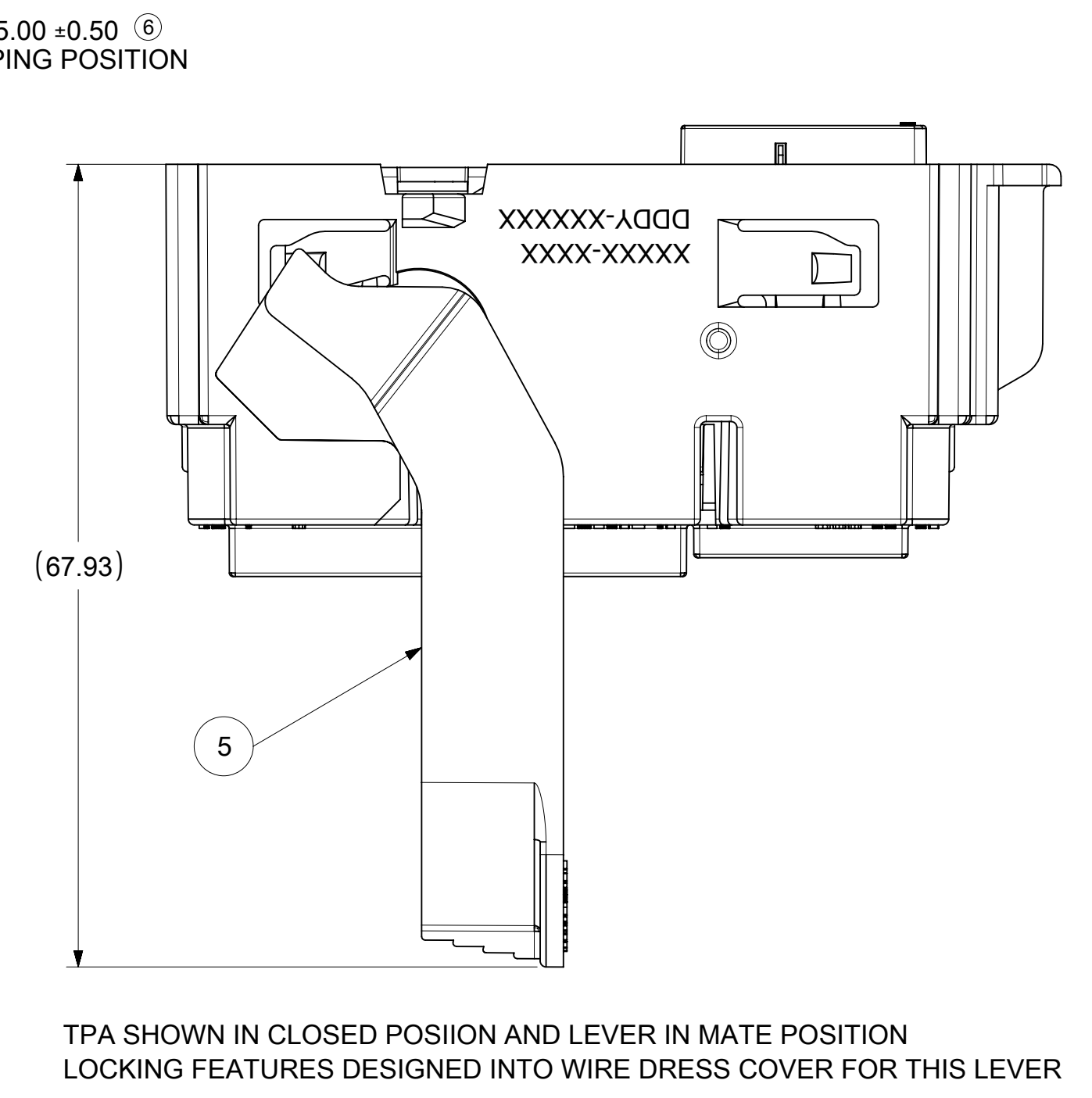
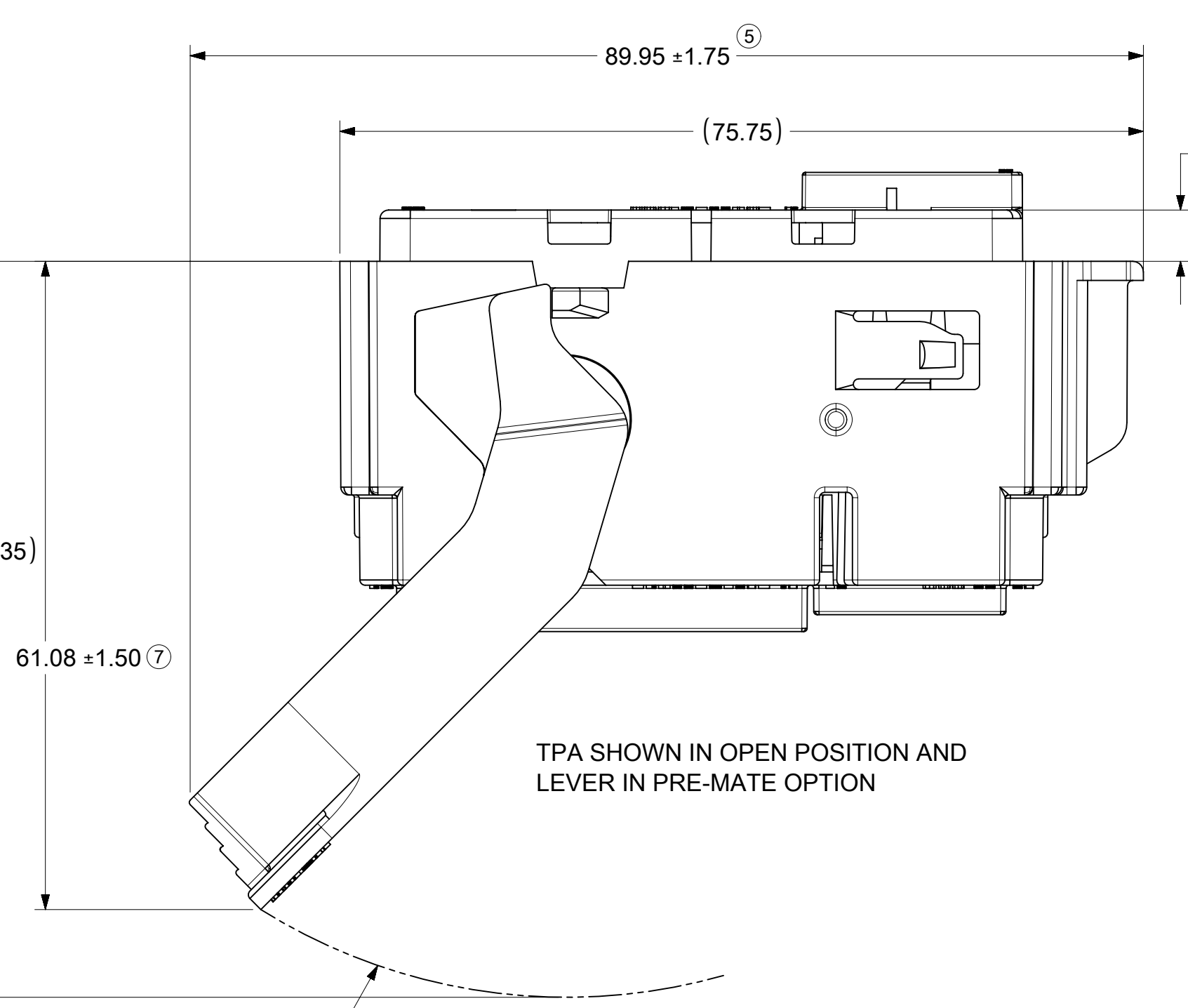
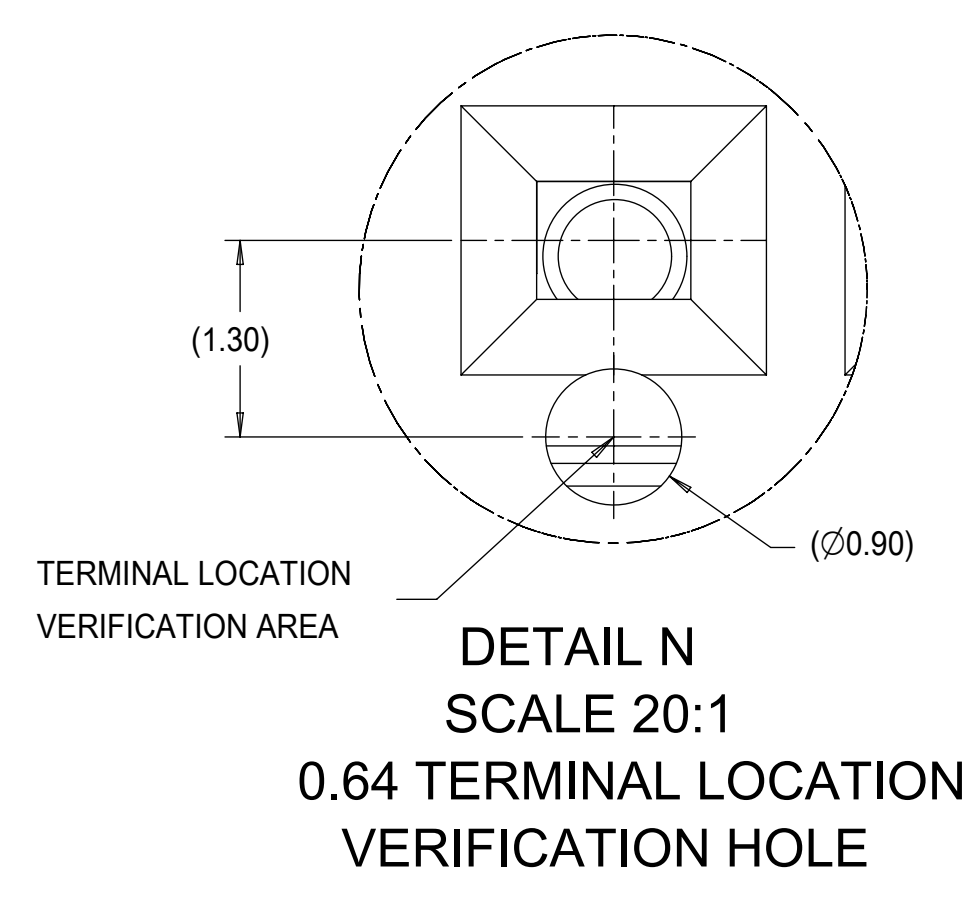
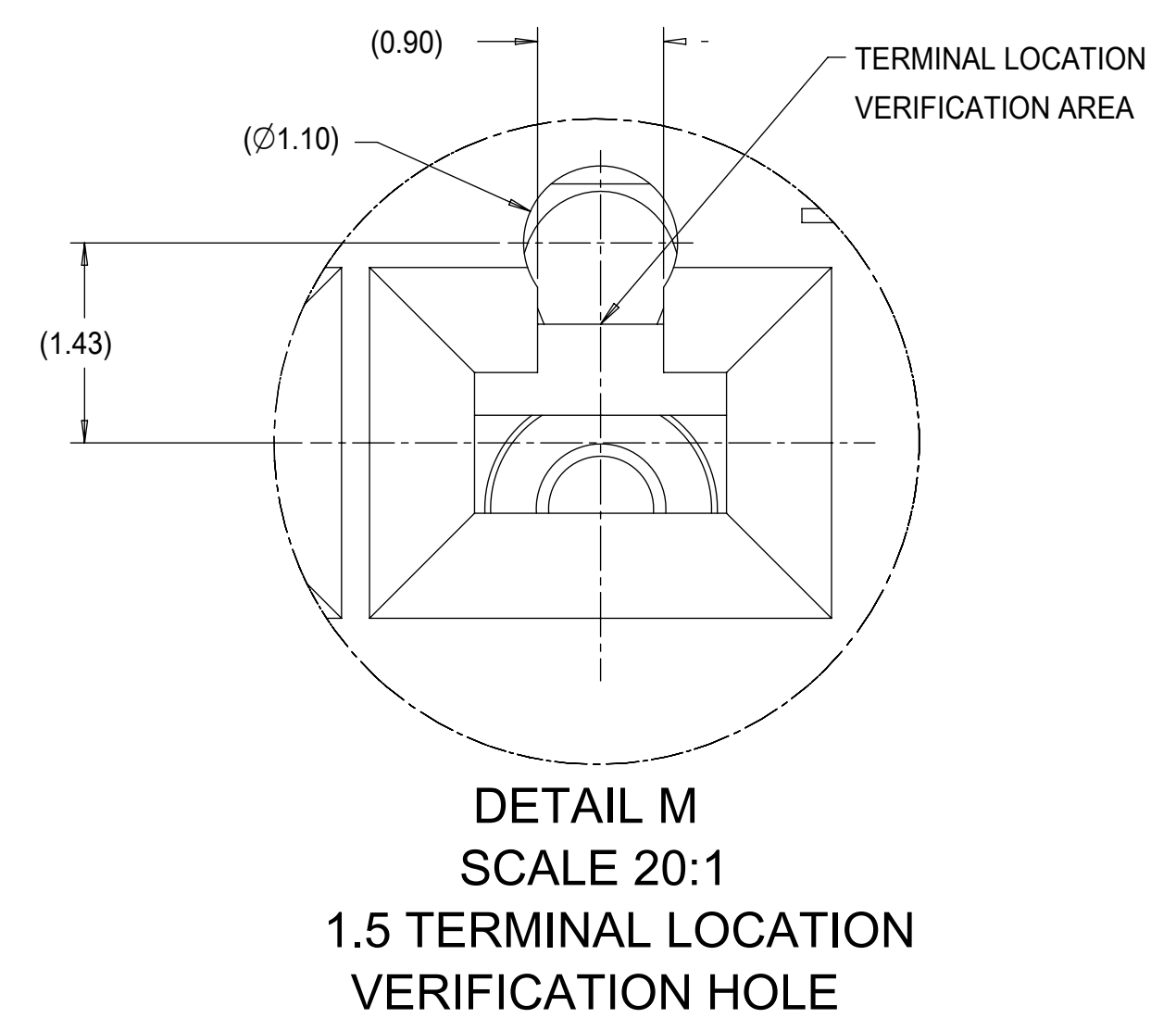
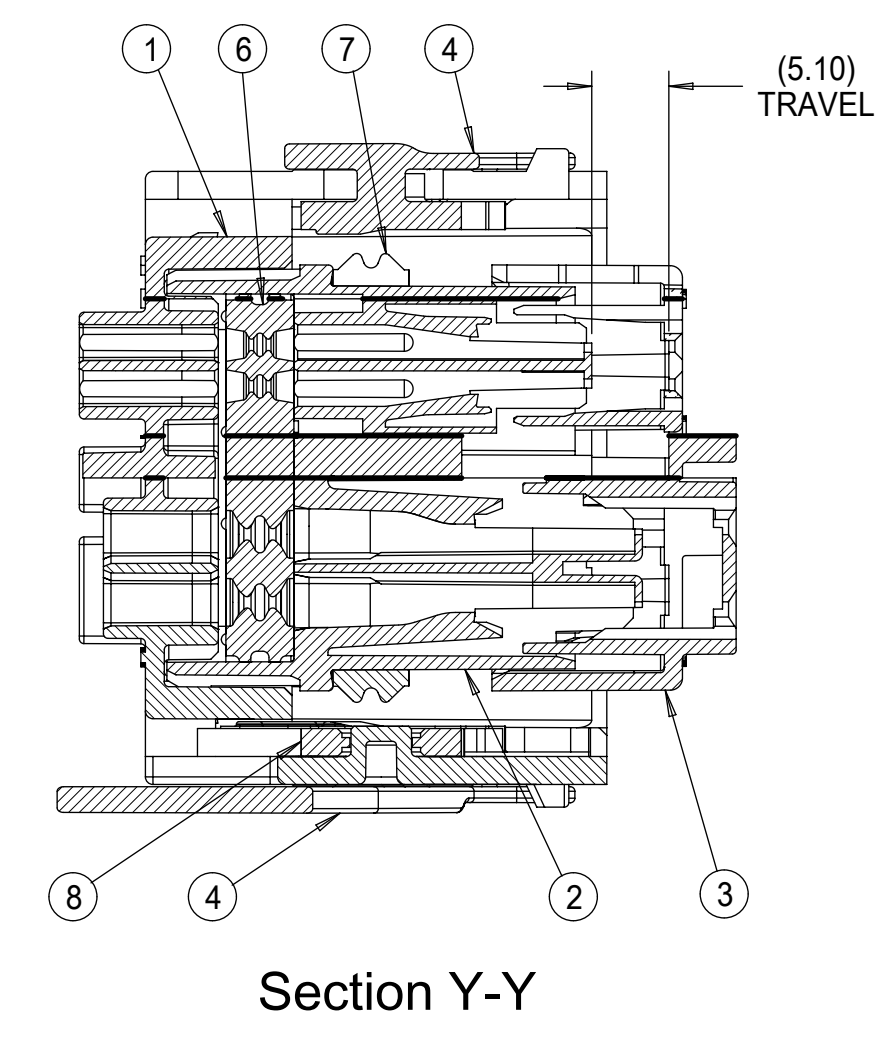
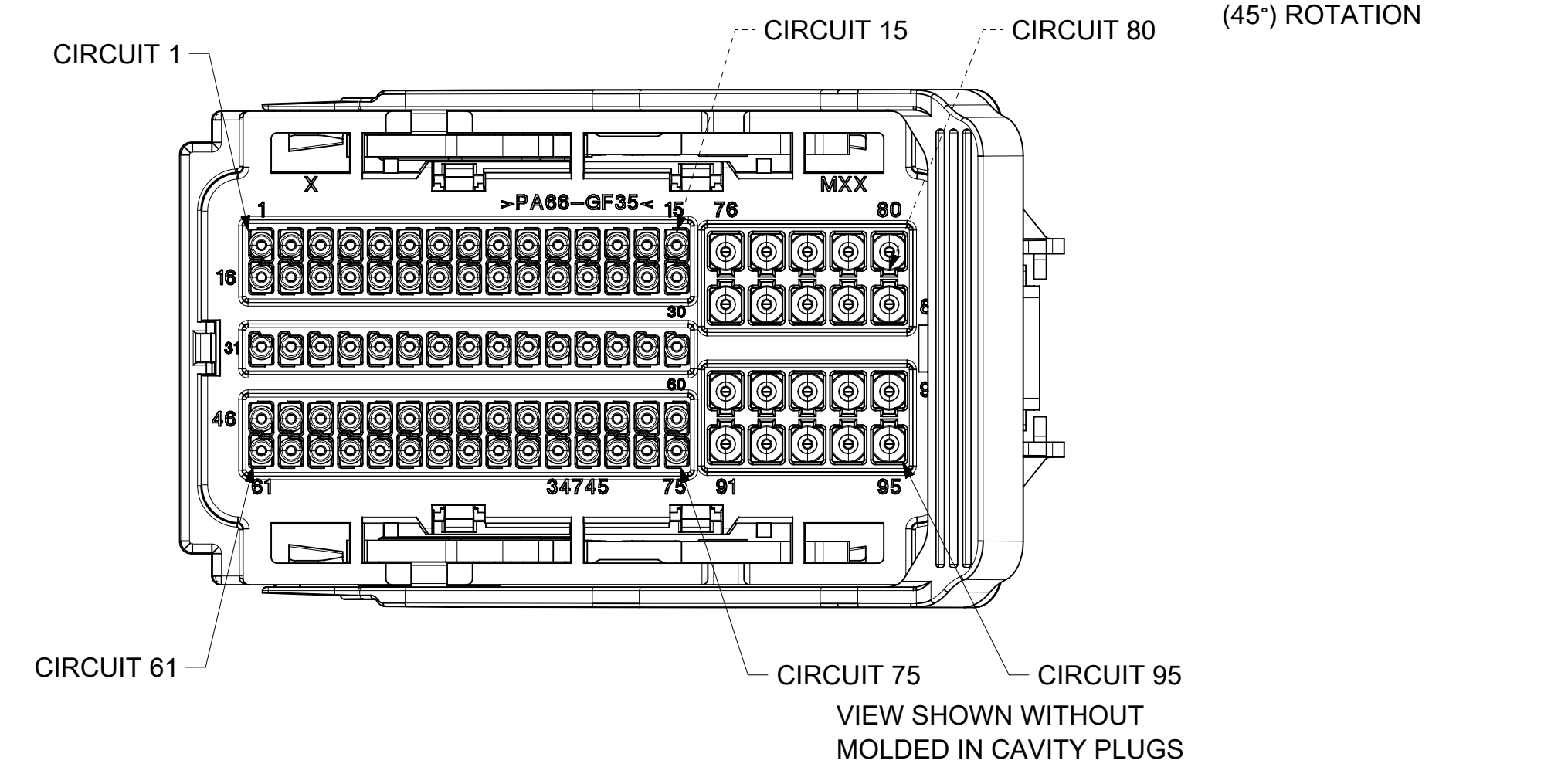


FULL SIZE VIEWS

AROUND-THE-END LEVER OPTION
P/N 34992-0001, KEY 1



OVER-THE-TOP LEVER OPTION
P/N 34992-1001, KEY 1

BILL OF MATERIAL									
QTY.	ITEMS	SUPPLIER PART NUMBER	DESCRIPTION	COLOR	RECYCLING CODE	WEIGHT (EST)			
	1	347450501	OUTER SHROUD HOUSING KEYING OPTION "1"	BLACK	>PA66-GF35<	26.24g			
	1	347450502	OUTER SHROUD HOUSING KEYING OPTION "2"	BLACK	>PA66-GF35<	26.24g			
	1	347450503	OUTER SHROUD HOUSING KEYING OPTION "3"	BLACK	>PA66-GF35<	26.24g			
	1	347450504	OUTER SHROUD HOUSING KEYING OPTION "4"	BLACK	>PA66-GF35<	26.24g			
1	1	347450505	OUTER SHROUD HOUSING KEYING OPTION "5"	BLACK	>PA66-GF35<	26.24g			
1	1	347450300	CAVITY SECTION HOUSING	BLACK	>PA66-GF35<	19.88g			
1	1	349920401	TPA	NATURAL	>PA66-GF35<	7.77g			
1	1	347450801	MATE ASSIST LEVER END LATCH	GRAY	>PA66-GF35<	6.54g			
1	1	347450802	MATE ASSIST LEVER TOP LATCH	GRAY	>PA66-GF35<	6.10g			
1	1	347450600	GROMMET SEAL	GREEN	NA	5.94g			
1	1	347450700	INTERFACIAL SEAL	GREEN	NA	1.47g			
2	2	347450805	LEVER ARM	GRAY	>PA66-GF35<	0.55g			
349929001									
349928001									
349927001									
349926001									
349925001									
349924001									
349923001									
349922001									
349920001									
			MOLEX ASSY PART NUMBER						
			ALL CAVITY PLUGS REMOVED						

- NOTES: UNLESS OTHERWISE SPECIFIED
- PART MUST CONFORM TO USCAR/SAE-2 REV 5 DATED NOV2007. EXCEPTIONS: NONE
 - THE OPERATING ENVIRONMENT CRITERIA FOR THIS CONNECTOR SYSTEM IS USCAR TEMPERATURE CLASS 3, SEALING CLASS S3 AND VIBRATION CLASS V1.
 - ASSEMBLIES WILL ONLY PASS THE HIGH PRESSURE SPRAY REQUIREMENT WITH A WIRE DRESS COVER ATTACHED
 - MAXIMUM LEVER ENGAGEMENT FORCE POPULATED WITH TERMINALS IS NOT TO EXCEED 75N.
 - TERMINAL TPA/PLR IS SHIPPED TO HARNESS MANUFACTURER IN PRE-LOAD POSITION AS SHOWN.
 - ALL PLASTIC PARTS MUST HAVE MATERIAL IDENTIFICATION SYMBOLS CLEARLY MARKED, WHEREVER PACKAGE SIZE PERMITS.
 - ENGINEERING APPROVAL REQUIRED FOR ALL SOURCING AND TOOLING OF THIS PART.
 - FOR ENGINEERING APPROVED SOURCE SEE ENGINEERING RELEASE.
 - ENGINEERING APPROVAL OF SAMPLE FROM SUPPLIER IS REQUIRED PRIOR TO AUTHORIZATION OF PART PRODUCTION.
 - CHANGES IN DESIGN COMPOSITION OR PROCESSING OF THE PART PREVIOUSLY APPROVED FOR PART PRODUCTION REQUIRES PRIOR ENGINEERING APPROVAL.
 - GENERAL TOLERANCE:
LINEAR DIMENSION: ±0.10
ANGULAR DIMENSION: ±3°
 - 0.3 MAXIMUM RADIUS PERMISSIBLE ON EDGES AND FILLETS SHOWN AS SHARP FOR PLASTIC PARTS.
 - PARTS ARE TO BE FREE OF SCRATCHES, DISCOLORATION, SALT RESIDUE, OR OTHER IMPERFECTIONS THAT MAY AFFECT FUNCTION OR FIT OF PART.
 - 25% MAXIMUM REGRIND ALLOWABLE.
 - SEE MOLEX APPLICATION SPEC AS-34992-001 FOR CONNECTOR SERVICE & USAGE INSTRUCTIONS.
 - OPTIONAL WIREDRESS COVERS FOR THE AROUND-THE-END LEVER OPTION: ARE SHIPPED SEPARATELY.
 - WIREDRESS COVER FOR THE OVER-THE-TOP LEVER OPTION IS SHIPPED SEPARATELY.
 - OPTIONAL 0.64 LOOSE PIECE PLUG, 34676-0002 IS SHIPPED SEPARATELY.
 - OPTIONAL 1.5 LOOSE PIECE PLUG, 34345-4001, IS SHIPPED SEPARATELY.
 - MOLEX MX150 TERMINAL REMOVAL TOOL P/N 63813-1500.
 - MOLEX 0.64 TERMINAL REMOVAL TOOL P/N 63813-3501.
 - TPA/PLR MUST BE REMOVED TO SERVICE THE 0.64 TERMINALS.
 - TPA SEATING TOOL P/N 346760200 / 346760201 SEE SHEET 2 FOR ADDITIONAL INFORMATION
 - FOR PINOUT AND DRESS COVER CONFIGURATION CHART SEE DOCUMENT: 349920002-SD

DESCRIPTION	NOMINAL TERMINAL SIZE	COLOR/PLATING	SUPPLIER PART NUMBER	MATERIAL SPECIFICATION NUMBER	APPLICABLE WIRE SIZE
TERMINAL - FEMALE (Ag)	0.64	SILVER	2077131254	COPPER ALLOY/SILVER PLATE	MIL 123A ES-AU5T-1A348-AA REV. A 0.35mm ² (DIA 1.20 - 1.40) 0.50mm ² (DIA 1.40 - 1.70) 0.75mm ² (DIA 1.70 - 1.90)
TERMINAL - FEMALE (Ag)	0.64	SILVER	2077131354	COPPER ALLOY/SILVER PLATE	---
TERMINAL - FEMALE (Sn)	1.50	TIN	330122003	COPPER ALLOY/TIN PLATE	22AWG (DIA 1.50 - 1.65)
TERMINAL - FEMALE (Sn)	1.50	TIN	330122004	COPPER ALLOY/TIN PLATE	0.35mm ² (DIA 1.20 - 1.40) 0.50mm ² (DIA 1.40 - 1.70) 20AWG (DIA 1.70 - 1.85) 0.75mm ² (DIA 1.70 - 1.90) 18AWG (DIA 1.91 - 2.06)
TERMINAL - FEMALE (Sn)	1.50	TIN	330122002	COPPER ALLOY/TIN PLATE	0.80mm ² 16AWG (DIA 2.18 - 2.34) 1.50mm ² (DIA 2.20 - 2.40)
TERMINAL - FEMALE (Sn)	1.50	TIN	330122001	COPPER ALLOY/TIN PLATE	---

THIS DRAWING CONTAINS INFORMATION THAT IS PROPRIETARY TO MOLEX ELECTRONIC TECHNOLOGIES, LLC AND SHOULD NOT BE USED WITHOUT WRITTEN PERMISSION

SYMBOLS

▽ = 0	mm	SCALE 2:1
▽ = 0	GENERAL TOLERANCES (UNLESS SPECIFIED)	
▽ = 0	ANGULAR TOL	±
▽ = 0	4 PLACES	±
▽ = 0	3 PLACES	±
▽ = 0	2 PLACES	±
▽ = 0	1 PLACE	±
▽ = 0	0 PLACES	±
■ = 0	DRAFT WHERE APPLICABLE MUST REMAIN WITHIN DIMENSIONS	

CURRENT REV DESC: NOTE AND TABLE UPDATED

EC NO: 677806

DRWN: NBOHIDAR 2021/09/15

CHK'D: BDICK01 2021/09/28

APPR: BDICK01 2021/09/28

INITIAL REVISION:

DRWN: NBOHIDAR 2018/09/01

APPR: APROFFITT 2018/09/07

THIRD ANGLE PROJECTION

E-SIZE 34992

DOCUMENT NUMBER: 349920001-SD

DOC TYPE: PSD

DOC PART: 000

REVISION: A8

PRODUCT CUSTOMER DRAWING

DOCUMENT NUMBER: 349920001-SD

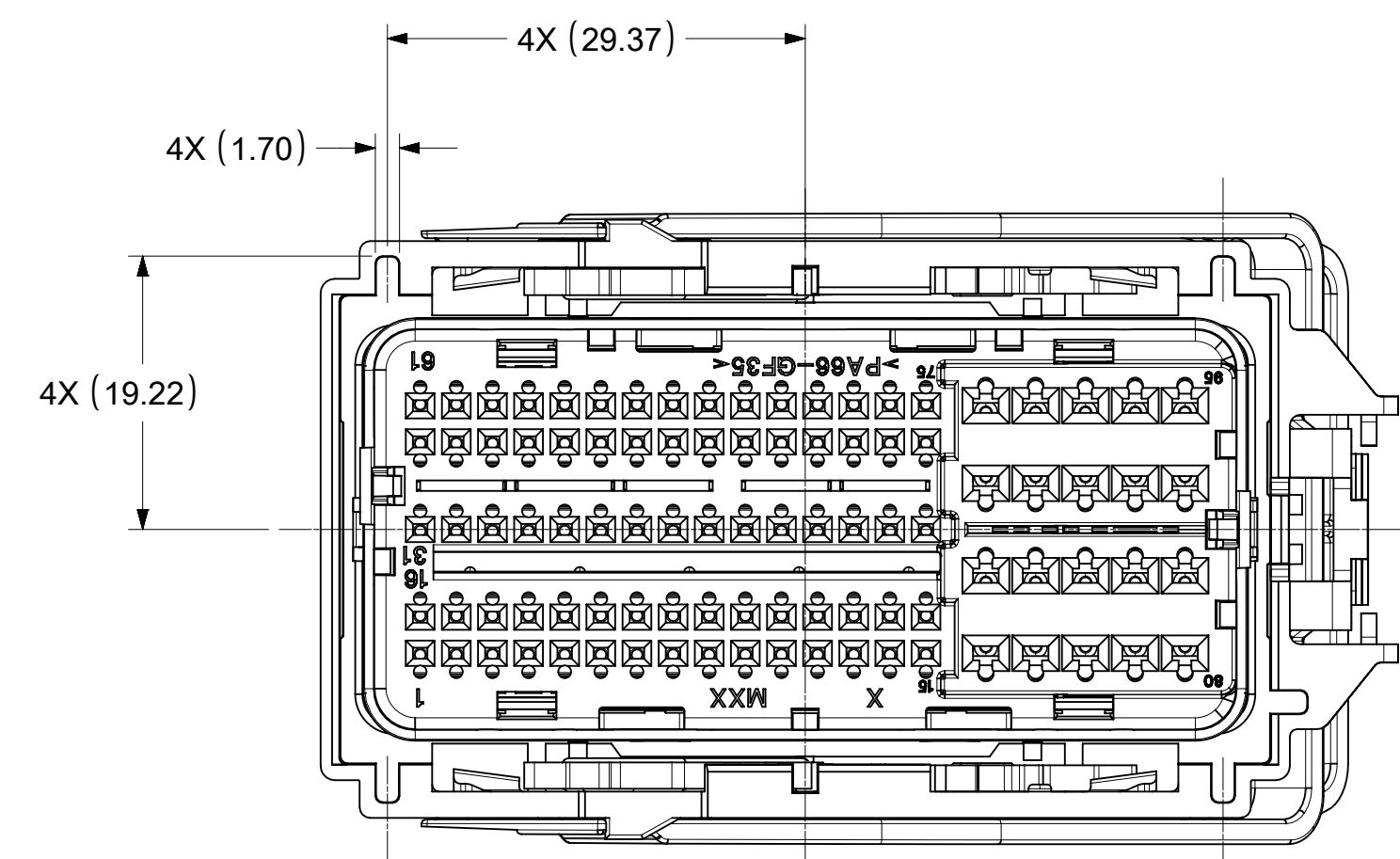
CUSTOMER: GENERAL MARKET

SHEET NUMBER: 1 OF 3

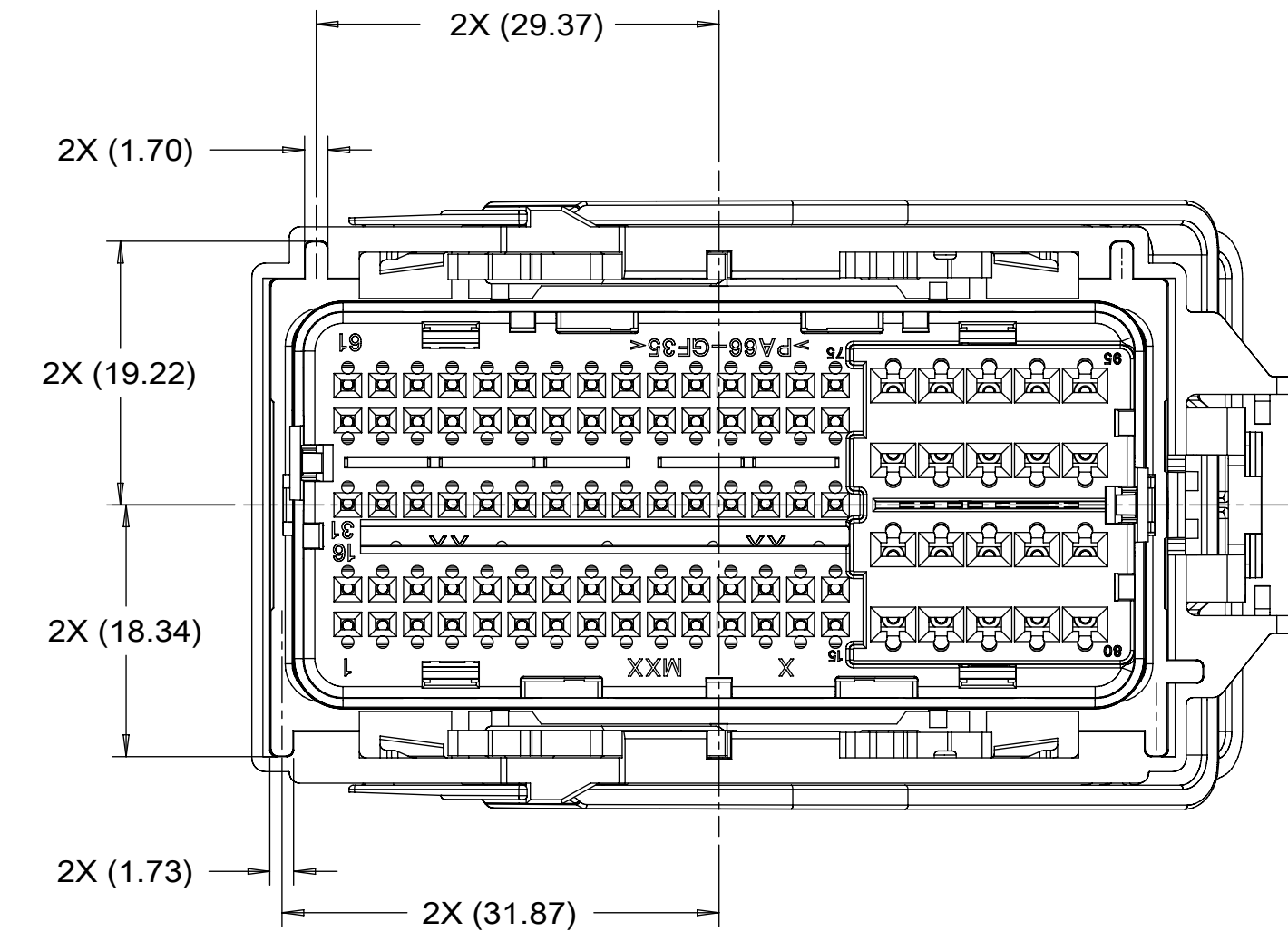
molex

GPEC IV CONNECTOR ASSEMBLY
95 CIRCUIT

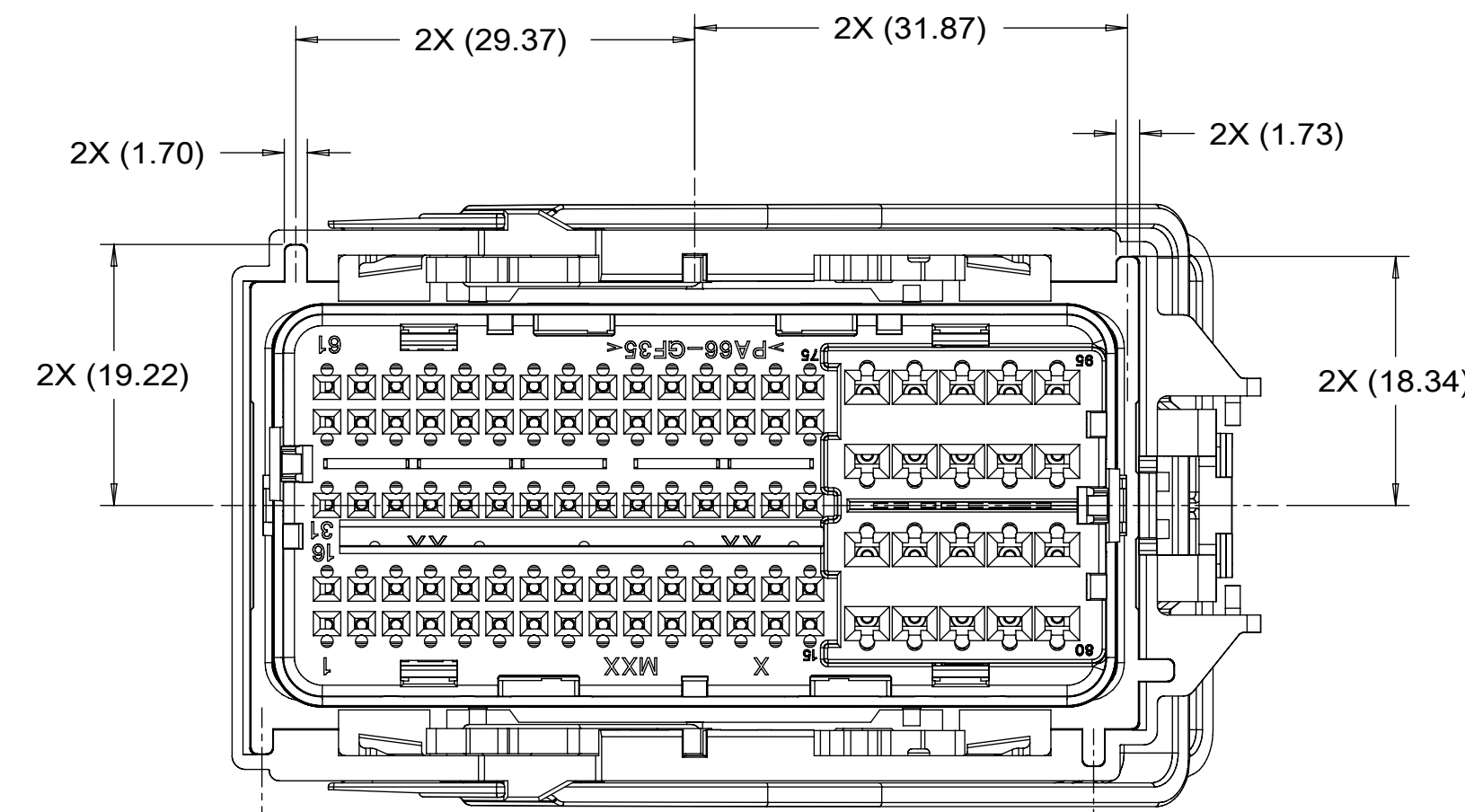
KEYWAY DEFINITION



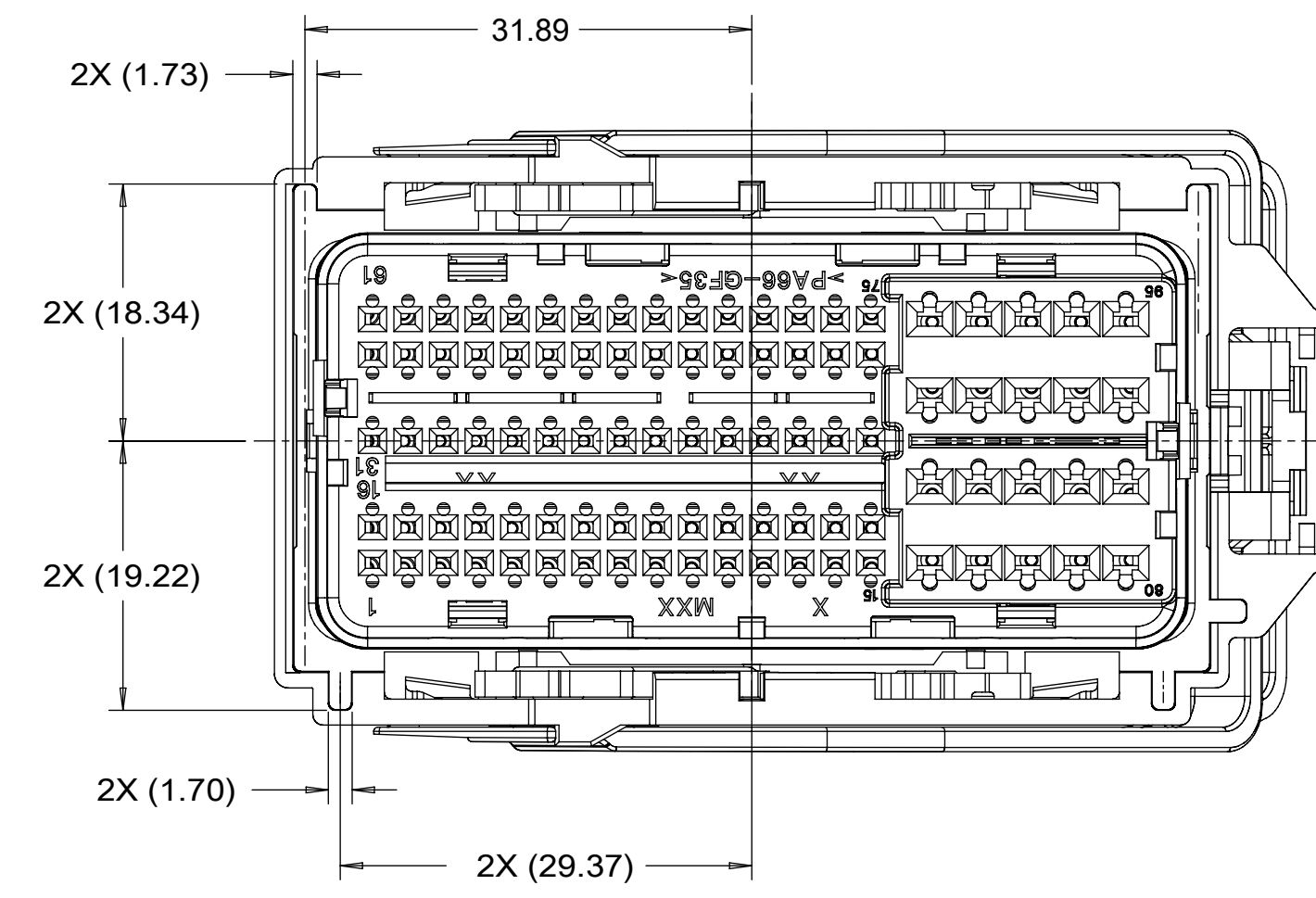
34992-0XXX (END LATCH LEVER)
34992-1XXX (TOP LATCH LEVER)
KEY OPTION 1



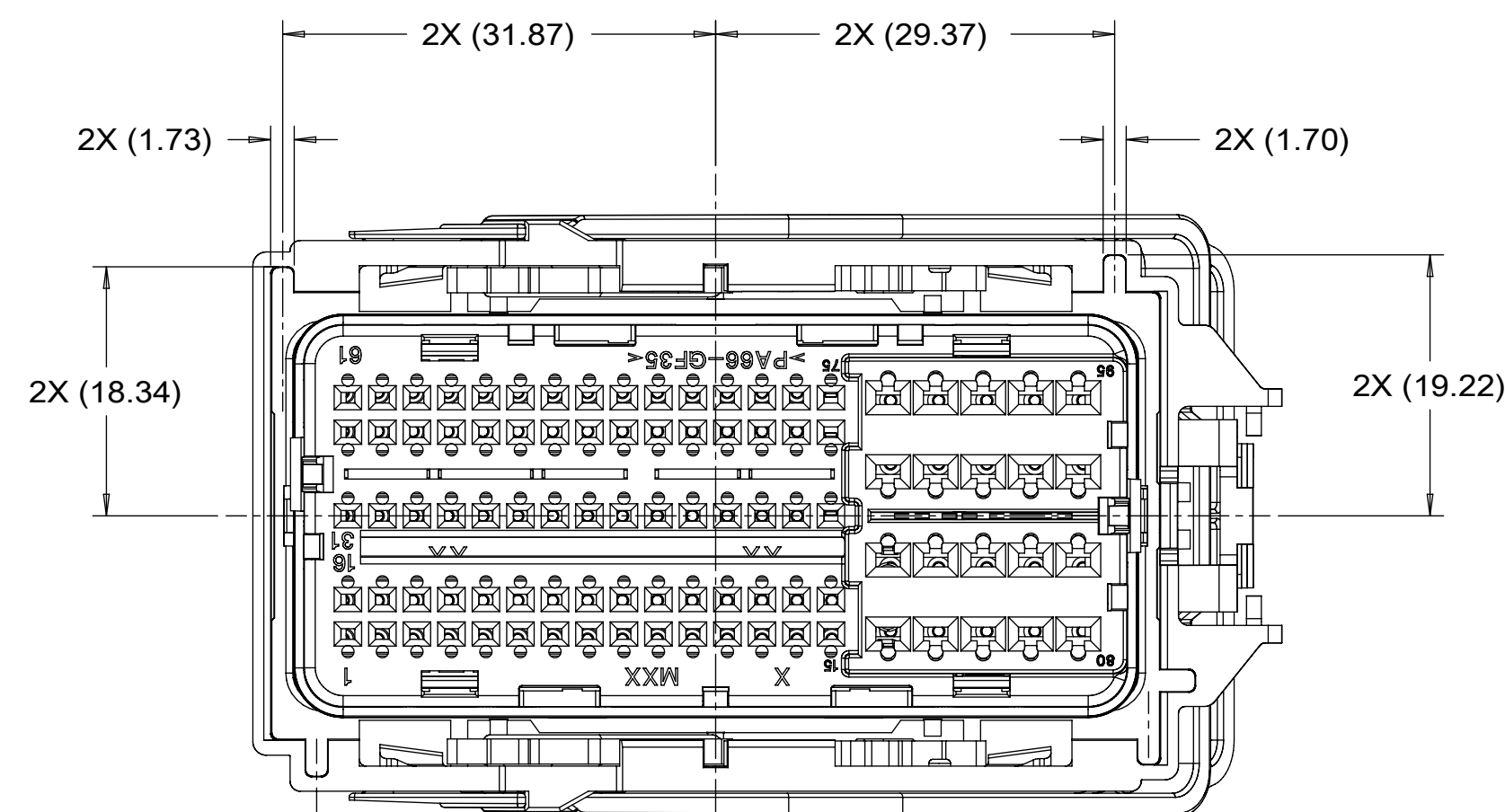
34992-6XXX (END LATCH LEVER)
34992-7XXX (TOP LATCH LEVER)
KEY OPTION 4



34992-2XXX (END LATCH LEVER)
34992-3XXX (TOP LATCH LEVER)
KEY OPTION 2

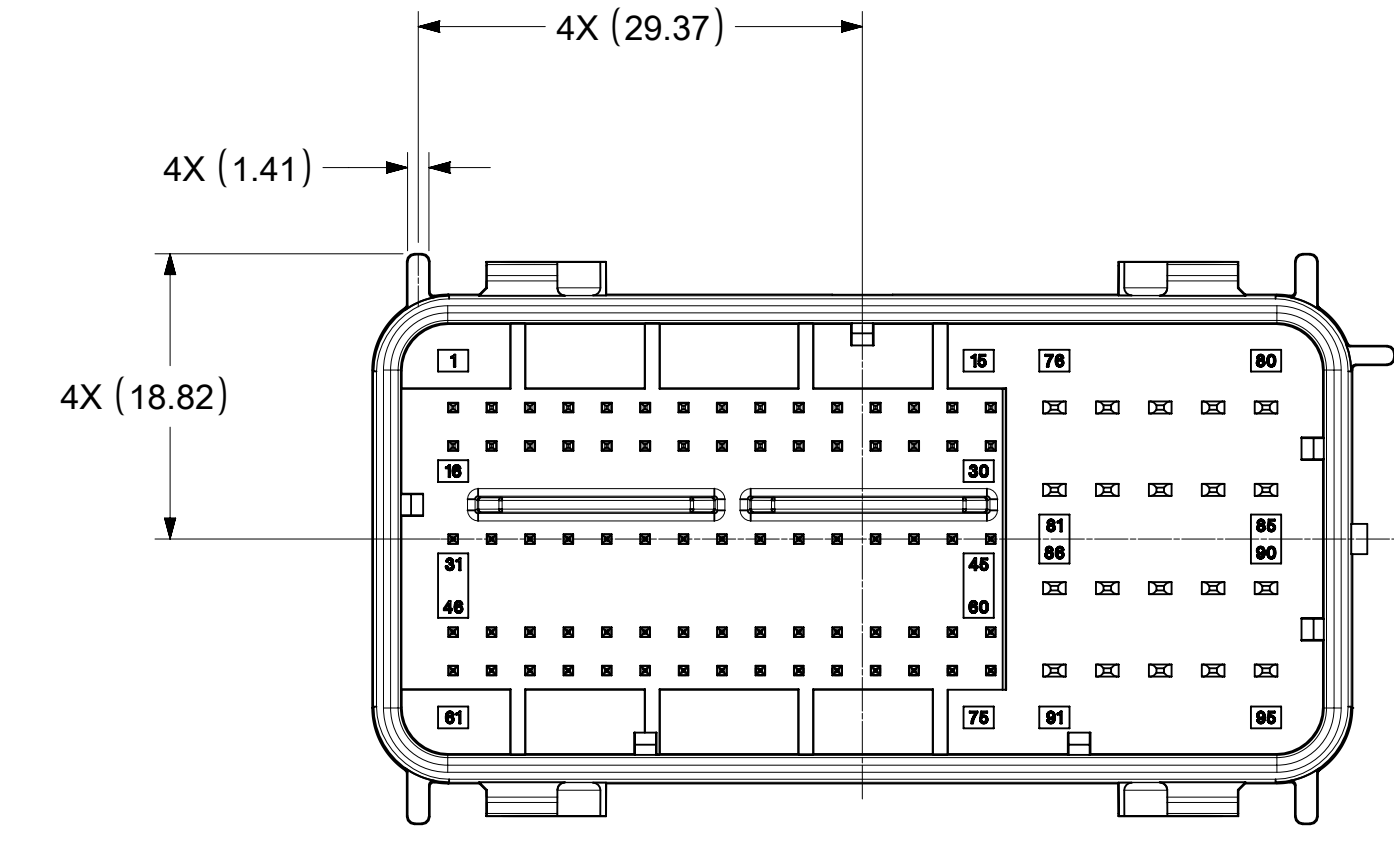


34992-8XXX (END LATCH LEVER)
34992-9XXX (TOP LATCH LEVER)
KEY OPTION 5

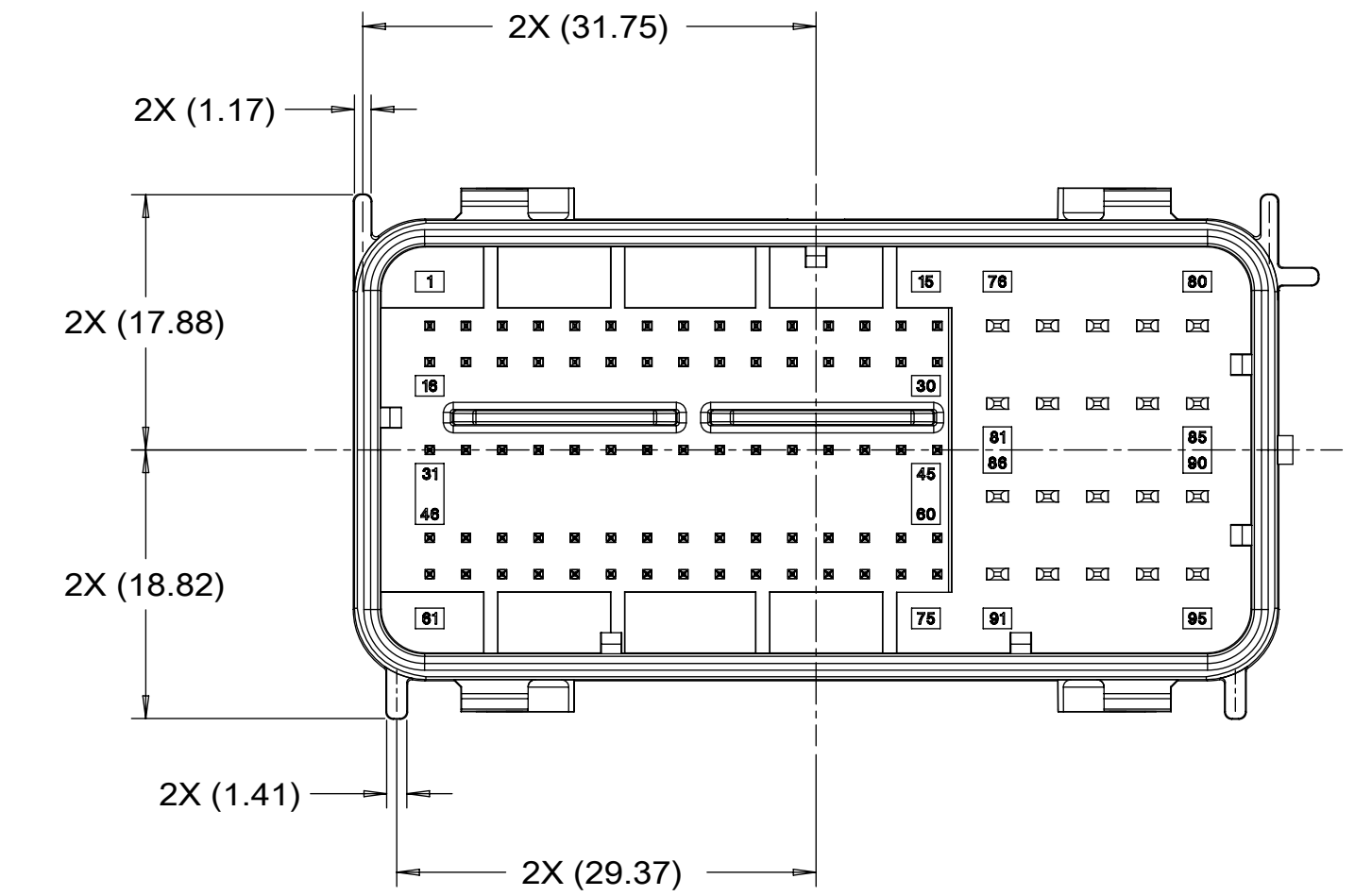


34992-4XXX (END LATCH LEVER)
34992-5XXX (TOP LATCH LEVER)
KEY OPTION 3

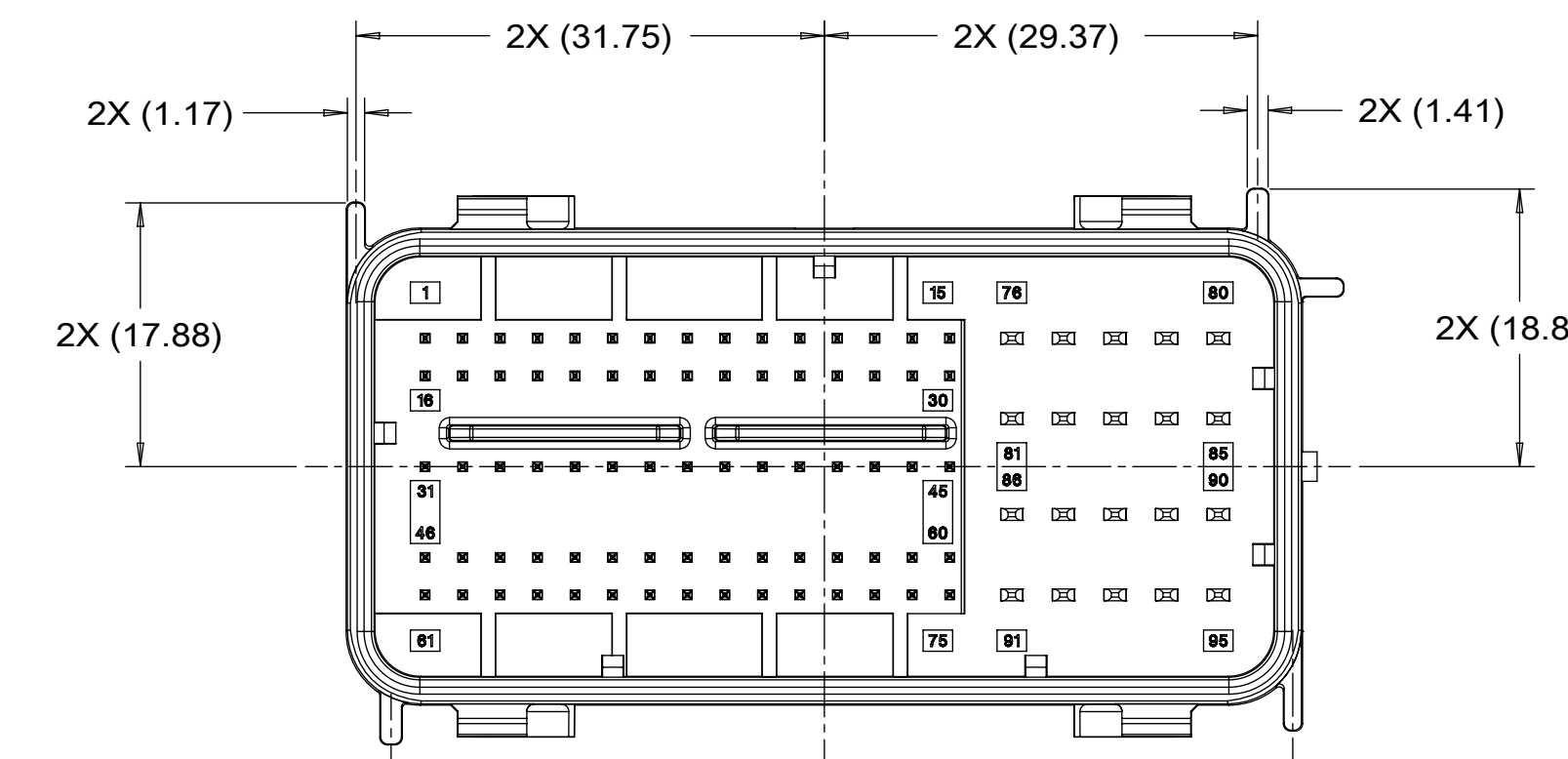
RECOMMENDED MATING INTERFACE



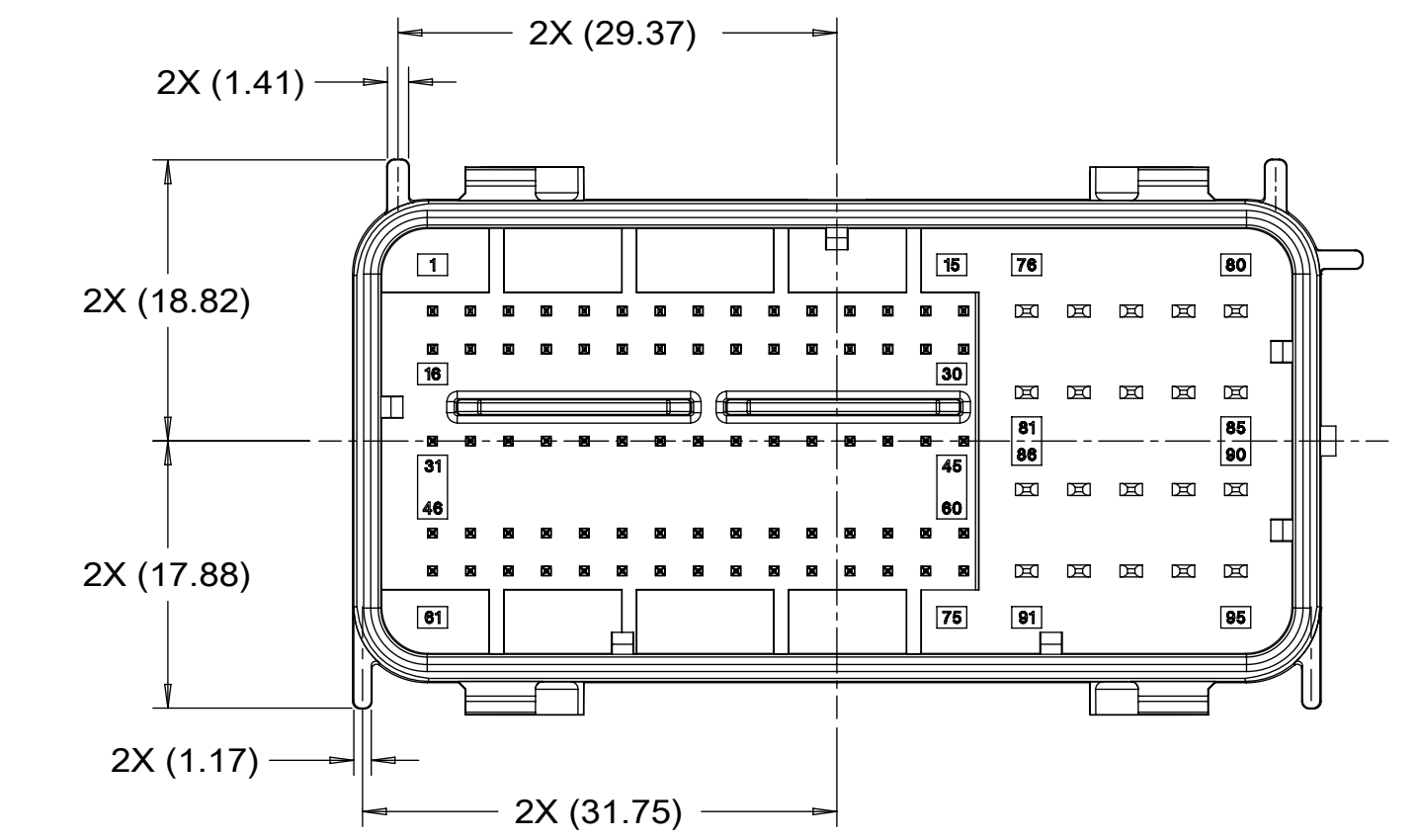
KEY OPTION 1



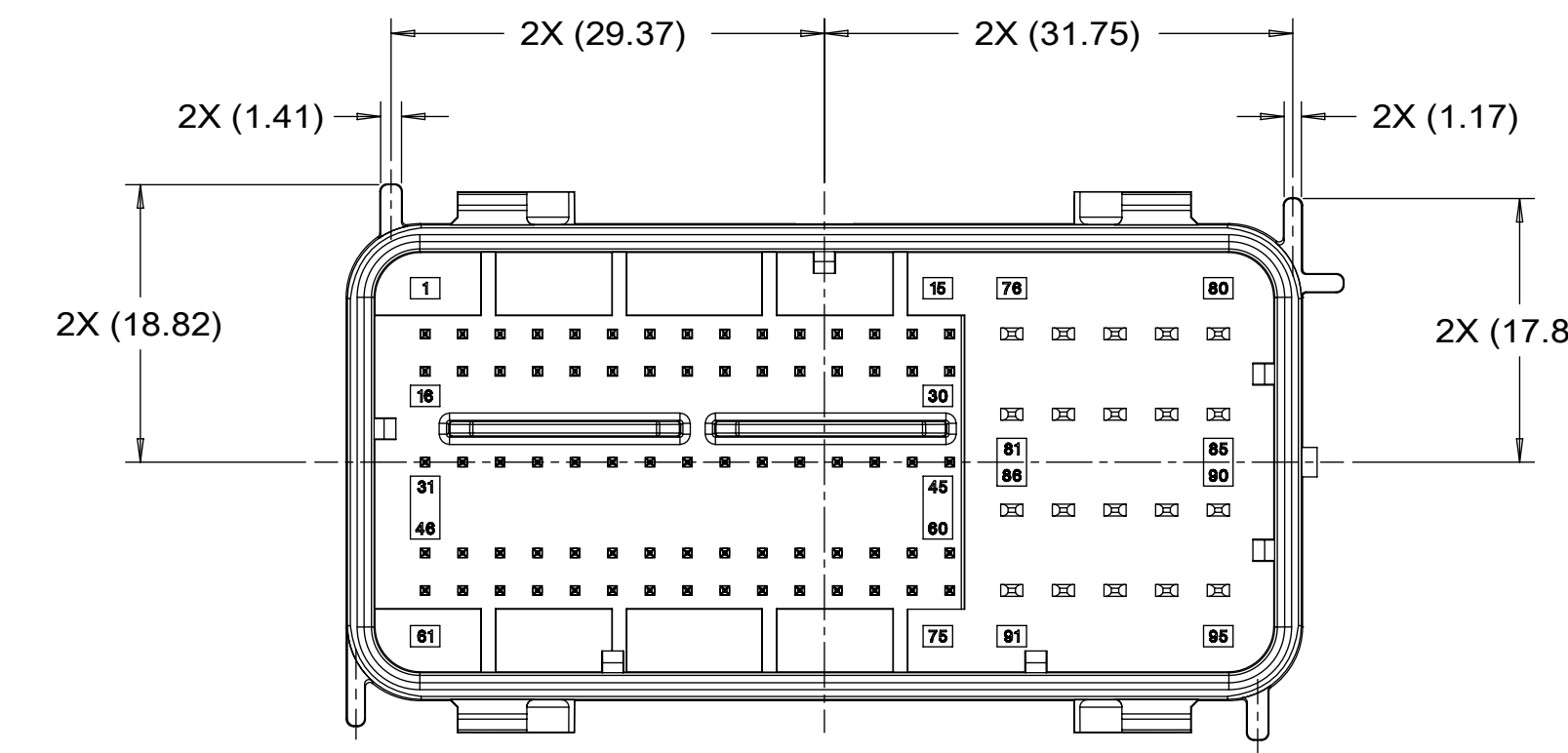
KEY OPTION 4



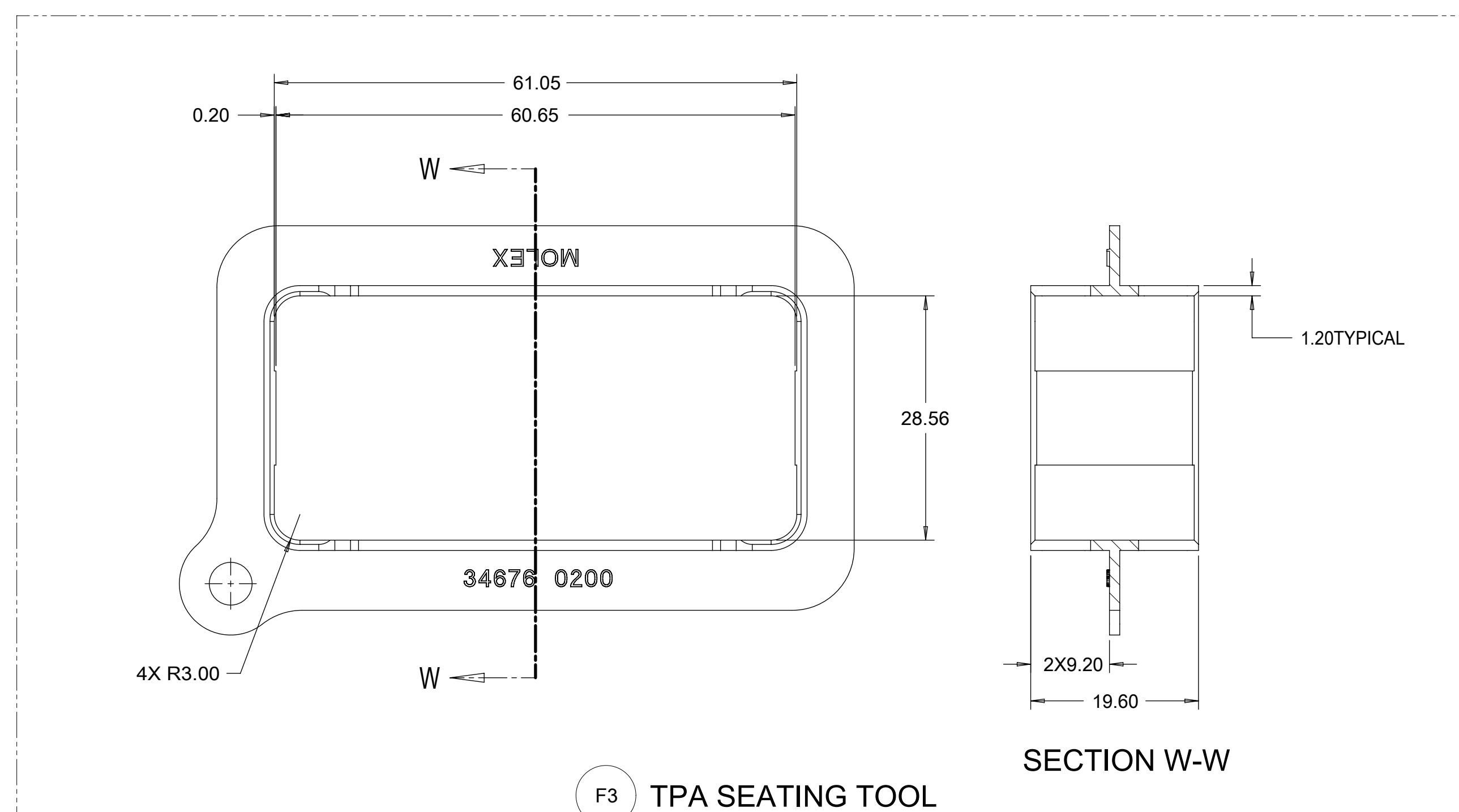
KEY OPTION 2



KEY OPTION 5



KEY OPTION 3



SYMBOLS	THIS DRAWING CONTAINS INFORMATION THAT IS PROPRIETARY TO MOLEX ELECTRONIC TECHNOLOGIES, LLC AND SHOULD NOT BE USED WITHOUT WRITTEN PERMISSION		
	DIMENSION UNITS	SCALE	CURRENT REV DESC: NOTE AND TABLE UPDATED
▽ = 0	mm	2:1	EC NO: 677806 DRWN: NBOHIDAR 2021/09/15 CHK'D: BDICK01 2021/09/28 APPR: BDICK01 2021/09/28
▽ = 0	GENERAL TOLERANCES (UNLESS SPECIFIED)		
▽ = 0	ANGULAR TOL	±	INITIAL REVISION: DRWN: NBOHIDAR 2018/09/01 APPR: APROFFITT 2018/09/07
▽ = 0	4 PLACES	±	
▽ = 0	3 PLACES	±	DOCUMENT NUMBER: 349920001-SD DOC TYPE: PSD DOC PART: 000 REVISION: A8
▽ = 0	2 PLACES	±	
▽ = 0	1 PLACE	±	MATERIAL NUMBER: CHARTED CUSTOMER: GENERAL MARKET SHEET NUMBER: 2 OF 3
▽ = 0	0 PLACES	±	
■ = 0	DRAFT WHERE APPLICABLE MUST REMAIN WITHIN DIMENSIONS		THIRD ANGLE PROJECTION
▽ = 0			E-SIZE 34992

molex

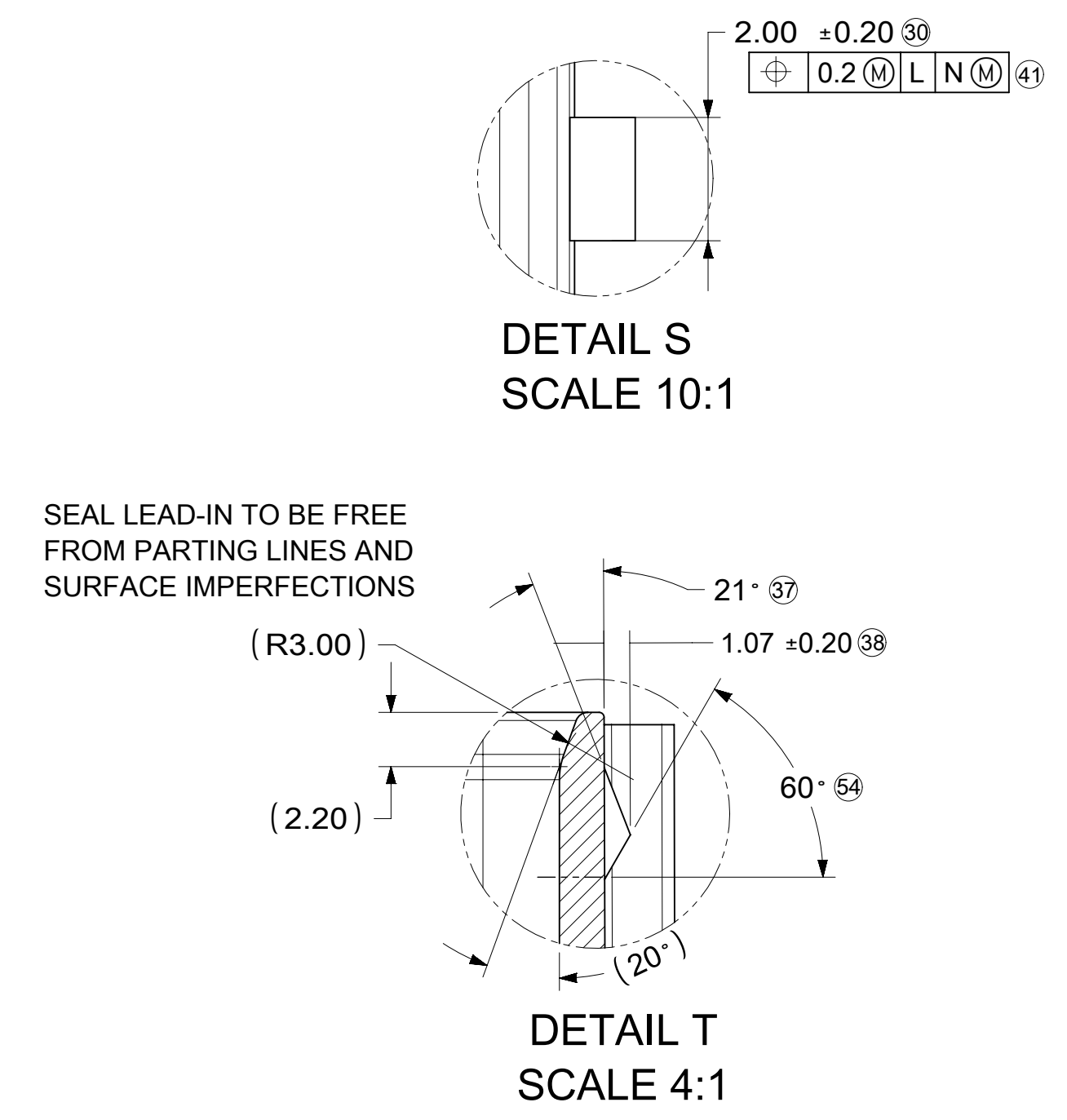
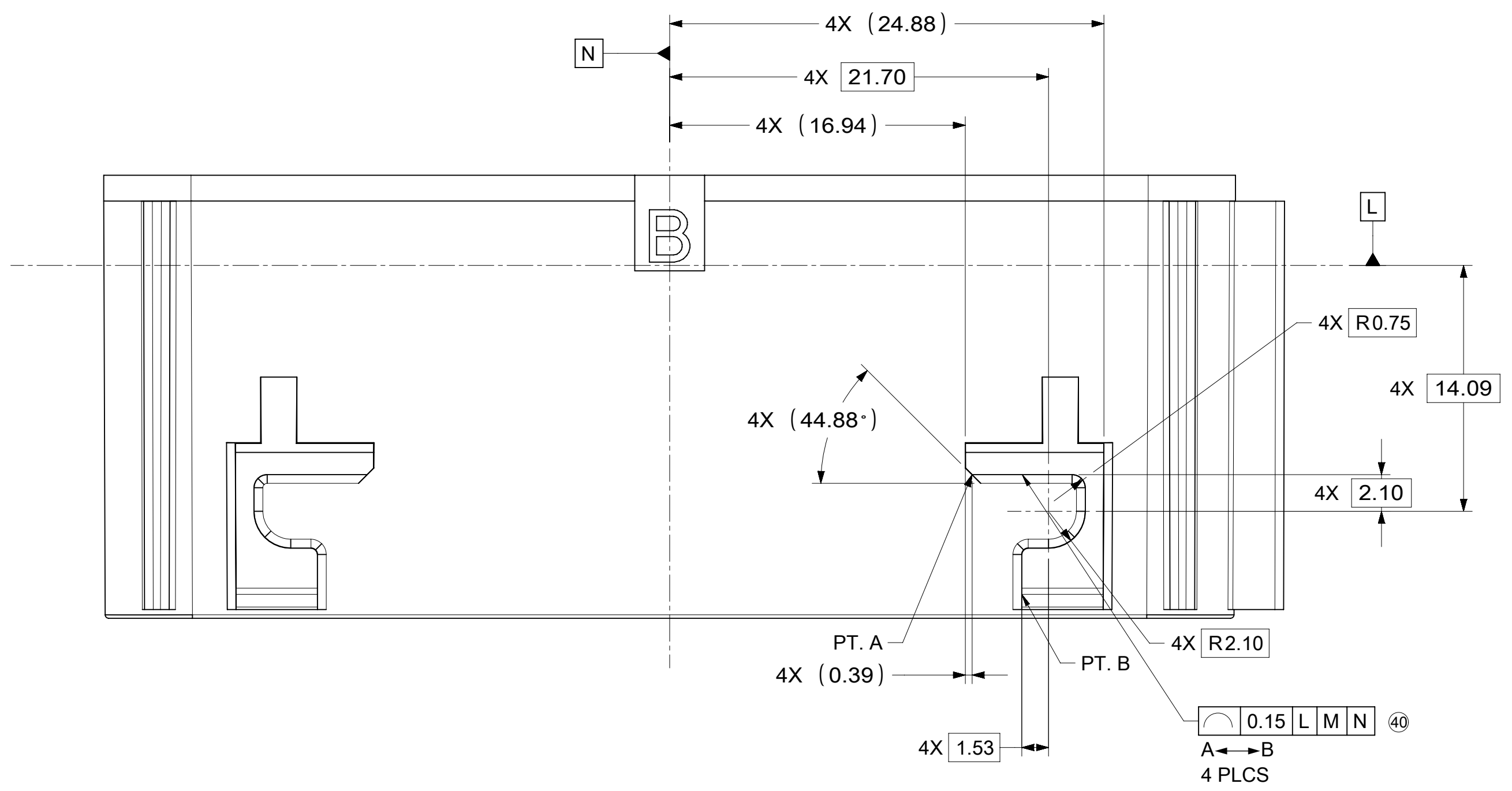
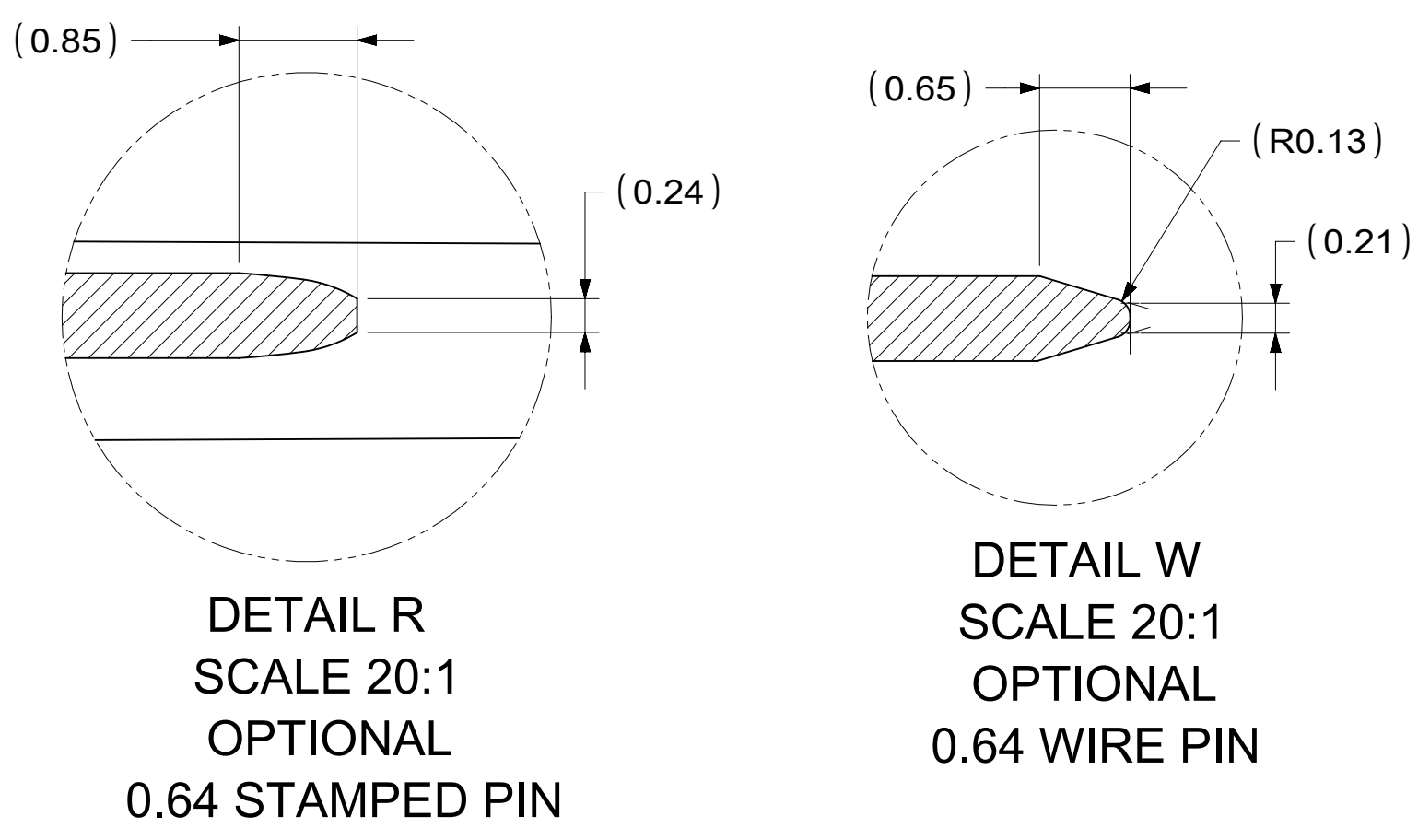
GPEC IV CONNECTOR ASSEMBLY
95 CIRCUIT

PRODUCT CUSTOMER DRAWING

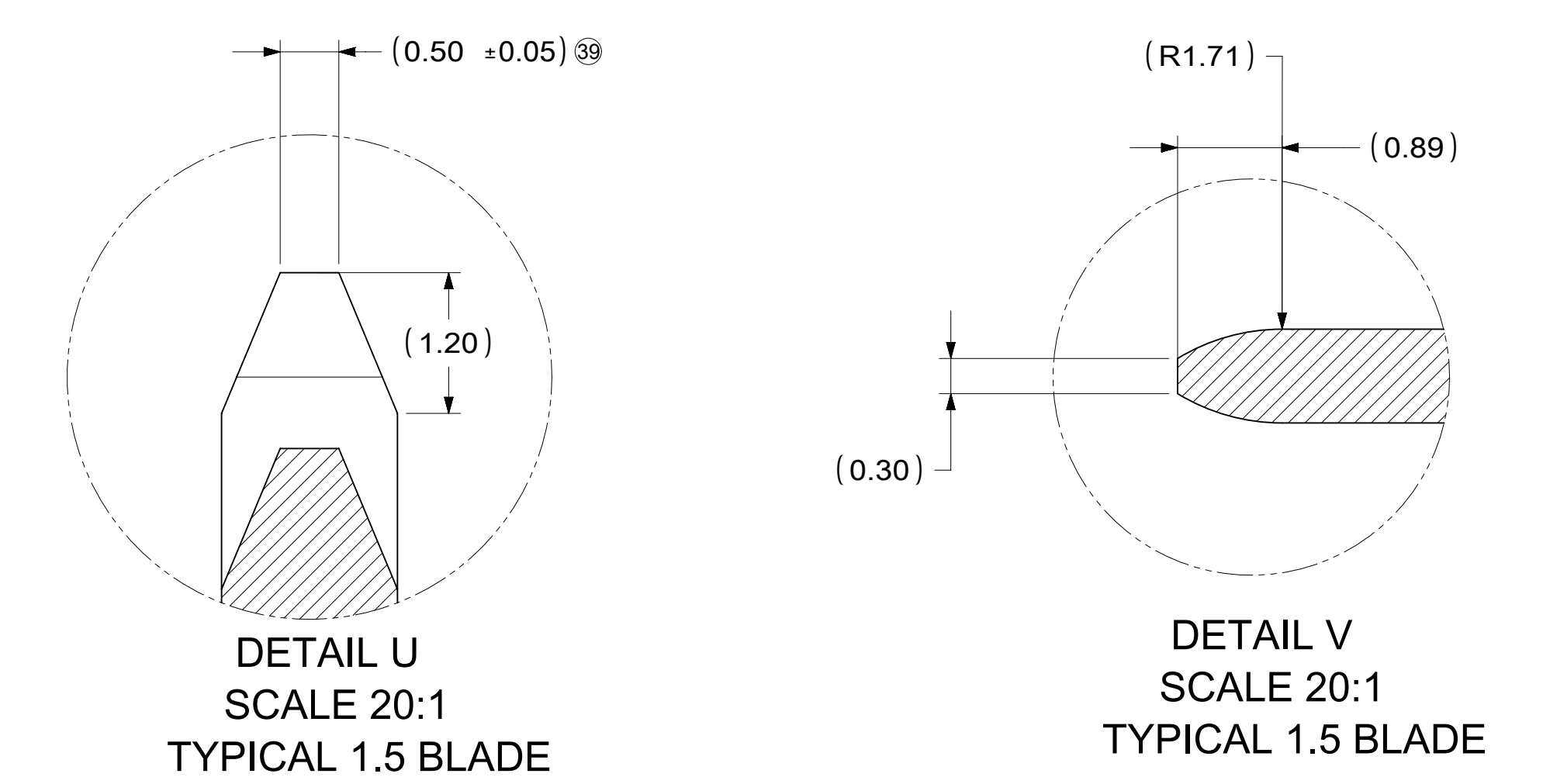
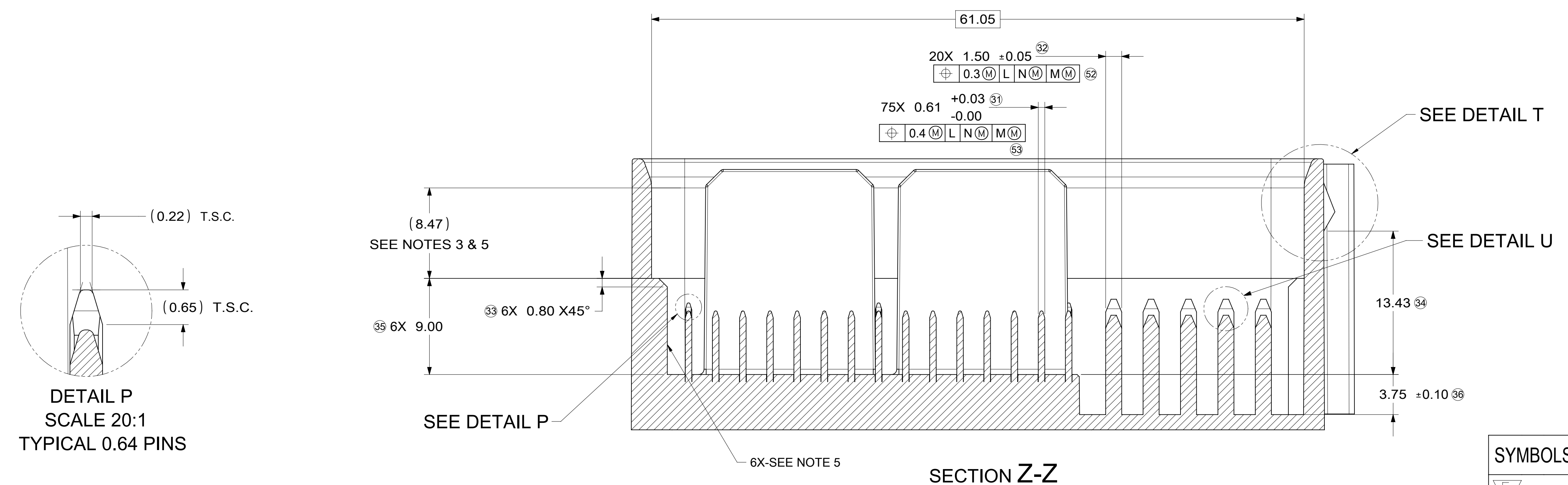
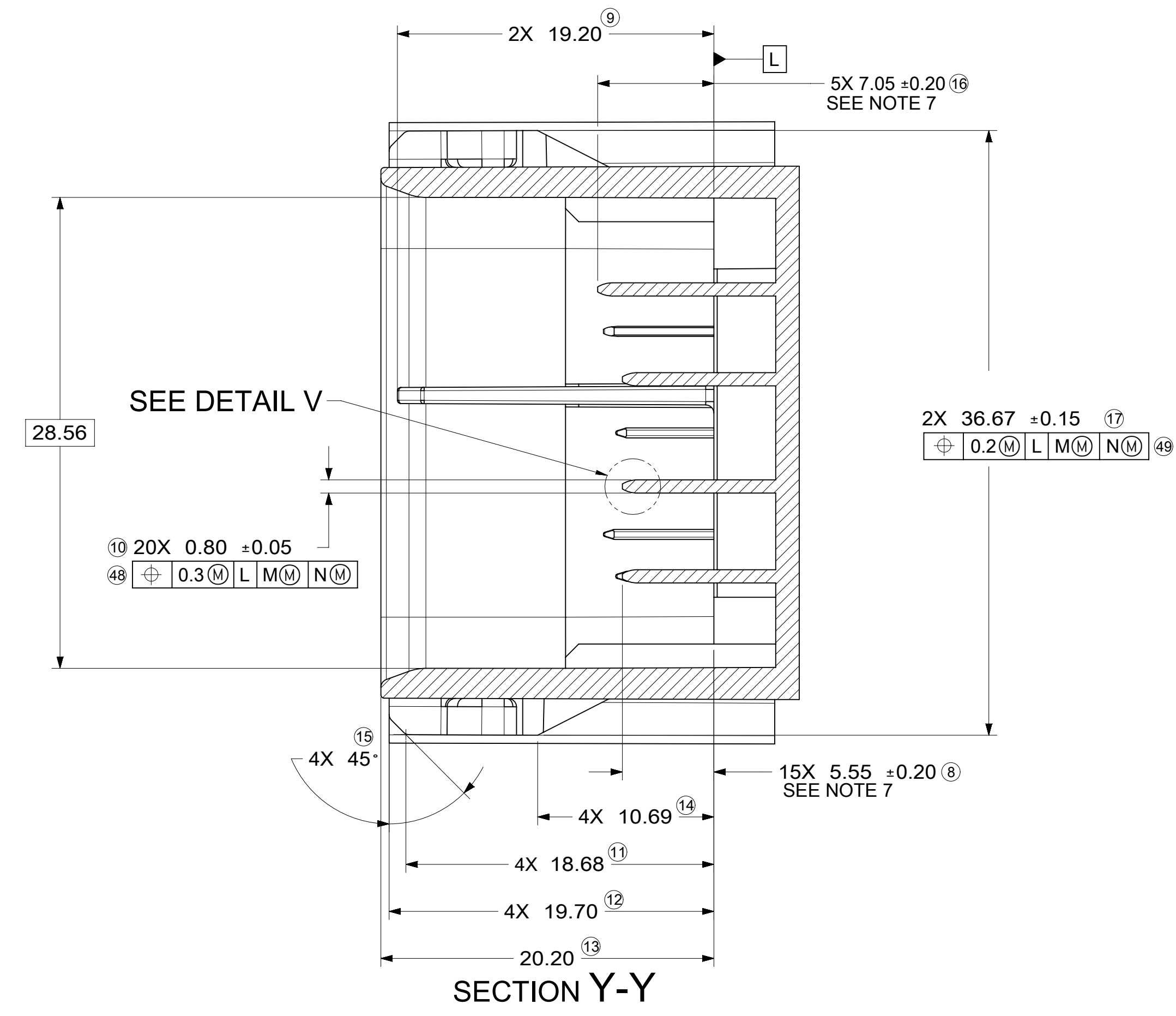
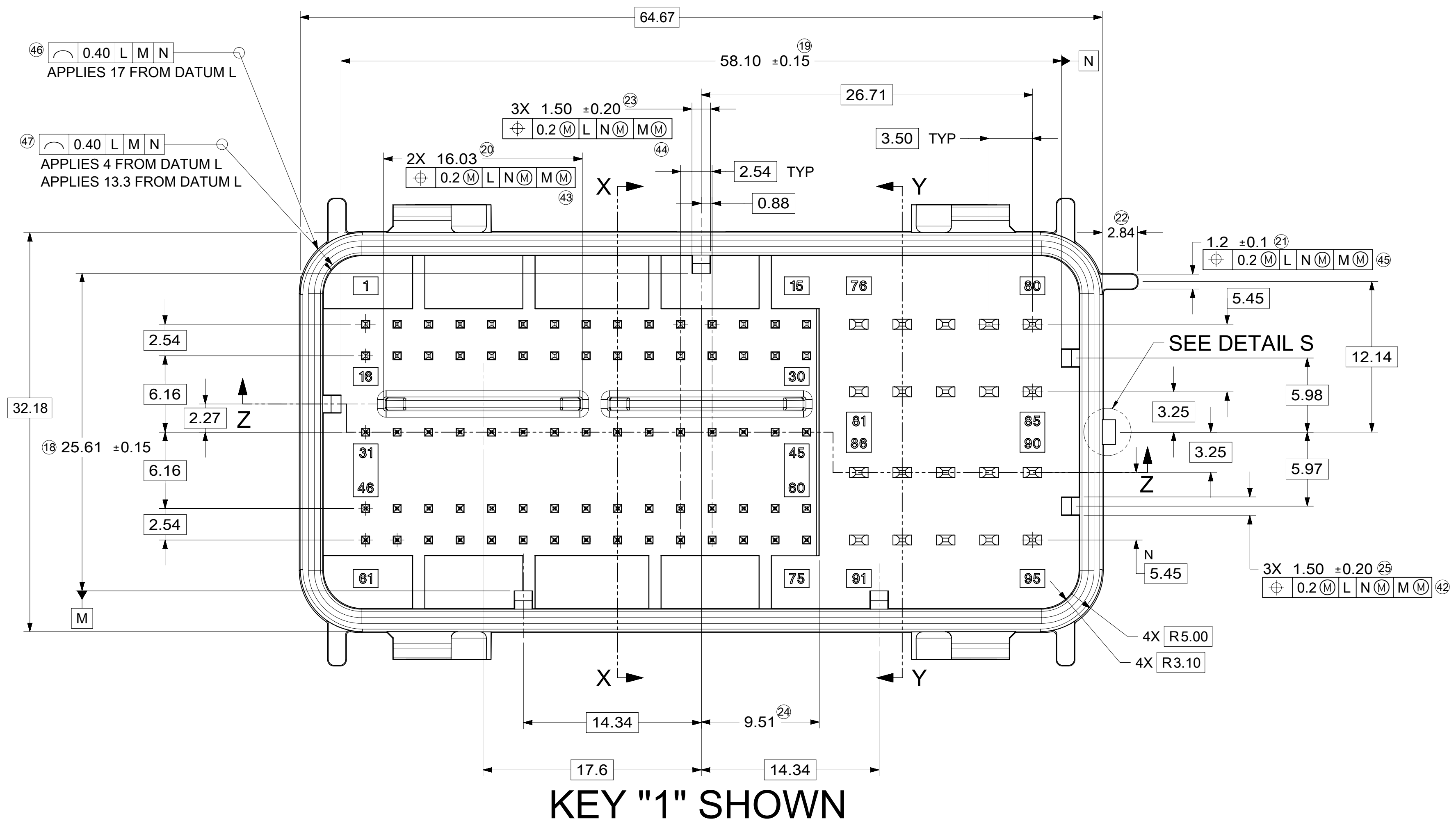
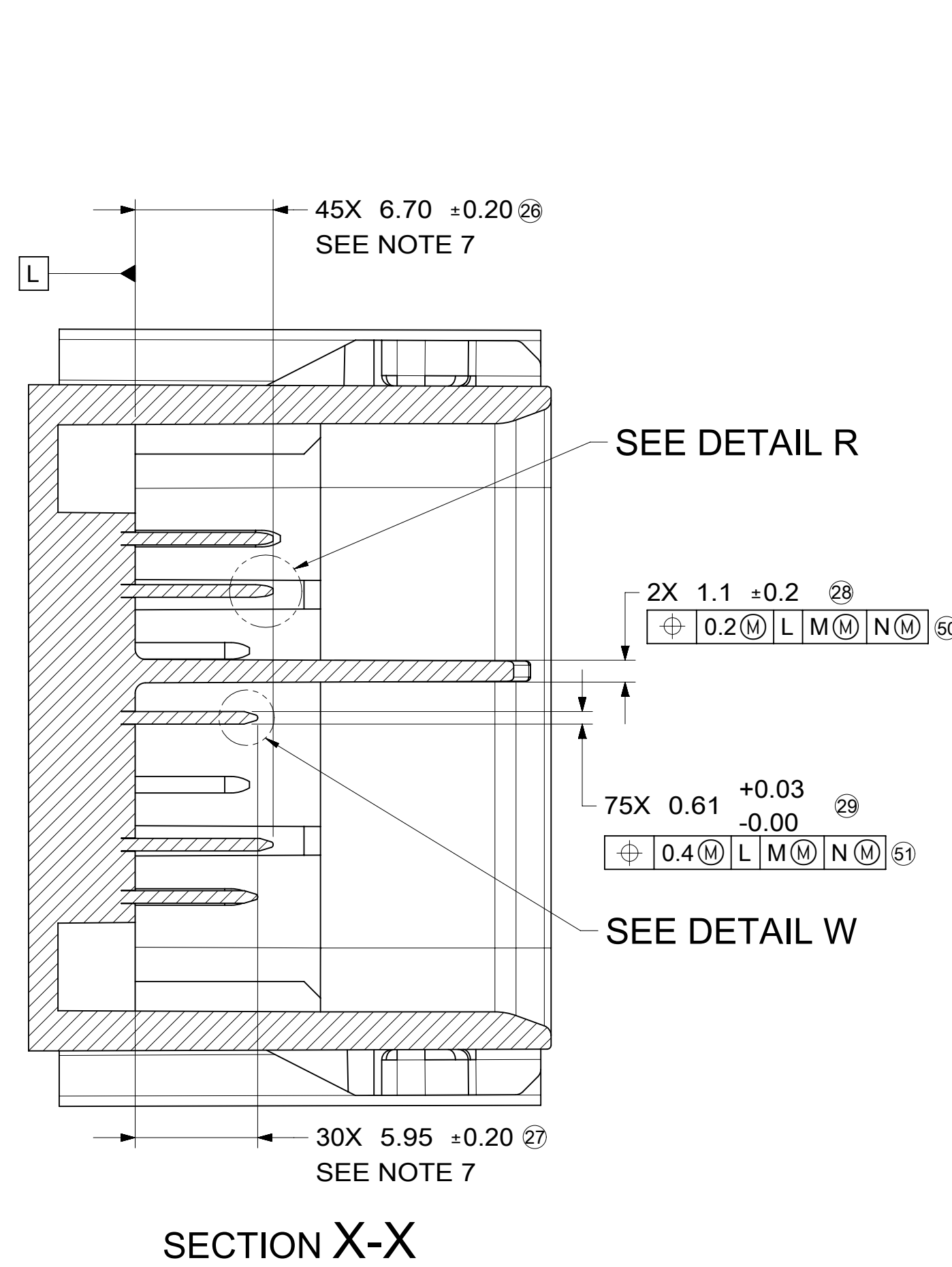
DOCUMENT NUMBER: 349920001-SD
DOC TYPE: PSD
DOC PART: 000
REVISION: A8

MATERIAL NUMBER: CHARTED
CUSTOMER: GENERAL MARKET
SHEET NUMBER: 2 OF 3

RECOMMENDED MATING INTERFACE



- NOTES FOR INTERFACE: UNLESS OTHERWISE SPECIFIED
- GENERAL TOLERANCES:
LINEAR DIMENSIONS: +0.20
ANGULAR DIMENSIONS: +3°
 - DRAFT ANGLE PERMISSIBLE ONLY WITHIN DRAWING TOLERANCE.
 - SEAL SURFACE: NO WITNESS LINES OR IMPERFECTIONS PERMITTED IN THIS AREA.
 - ALL UNMARKED RADII TO BE 0.5 MAX. UNLESS OTHERWISE SPECIFIED.
 - ZERO DRAFT AREA
 - CONNECTION SYSTEM VALIDATED TO BE USCAR2, REVISION 5
 - PIN ROW HEIGHTS ARE INTENTIONALLY OFFSET
- POWER CONTACT PIN NOTES: (1.5 CIRCUITS)
- MATERIAL: Cu ALLOY
WITH TENSILE STRENGTH > 410 N/mm²
ELECTRICAL CONDUCTANCE > 16 Sm/mm²
(≥28% IACS at 20°C)
 - BASE PLATING: 1.25-2.25μm NI OVERALL
 - REFLOW TIN PLATING: 2.5-4.0μm OVERALL
 - CONTACT MUST BE FREE OF BURRS AND SHARP EDGES.
 - PROCESS COMPONENTS IN A LOW-SULFUR ENVIRONMENT AND AVOID CONTACT WITH MATERIALS THAT TRANSFER SULFUR TO THE ENVIRONMENT.
- SIGNAL CONTACT PIN NOTES: (0.64 CIRCUITS)
- MATERIAL: Cu ALLOY
WITH TENSILE STRENGTH > 410 N/mm²
ELECTRICAL CONDUCTANCE > 16 Sm/mm²
(≥28% IACS at 20°C)
 - BASE PLATING: 1.25-2.5μm NI OVERALL
 - SILVER PLATING 2-4μm Ag WITH TARNISH RESISTANT TREATMENT APPLIED TO THE ENTIRE SILVER SURFACE.
 - CONTACT MUST BE FREE OF BURRS AND SHARP EDGES.
 - FOR SILVER PLATING: ELECTRICAL PERFORMANCE IS NOT AFFECTED BY GREY OR BLACK TARNISH ON THE SILVER PLATING SURFACE. ACCEPTABLE SILVER PIN SURFACES CAN INCLUDE GREY OR BLACK TARNISH.
 - PROCESS COMPONENTS IN A LOW-SULFUR ENVIRONMENT AND AVOID CONTACT WITH MATERIALS THAT TRANSFER SULFUR TO THE ENVIRONMENT.



SYMBOLS	THIS DRAWING CONTAINS INFORMATION THAT IS PROPRIETARY TO MOLEX ELECTRONIC TECHNOLOGIES, LLC AND SHOULD NOT BE USED WITHOUT WRITTEN PERMISSION		CURRENT REV DESC: NOTE AND TABLE UPDATED		molex
	DIMENSION UNITS	SCALE			
▽ = 0	mm	4:1			GPEC IV CONNECTOR ASSEMBLY 95 CIRCUIT
▽ = 0	GENERAL TOLERANCES (UNLESS SPECIFIED)				
▽ = 0	ANGULAR TOL ±				PRODUCT CUSTOMER DRAWING
▽ = 0	4 PLACES				
▽ = 0	3 PLACES				DOCUMENT NUMBER
▽ = 0	2 PLACES				
▽ = 0	1 PLACE				349920001-SD
▽ = 0	0 PLACES				
□ = 0	DRAFT WHERE APPLICABLE MUST REMAIN WITHIN DIMENSIONS		THIRD ANGLE PROJECTION	DRAWING	DOC TYPE DOC PART REVISION
□ = 0			E-SIZE	34992	
□ = 0			SERIES	34992	SHEET NUMBER
□ = 0			MATERIAL NUMBER	CHARTER	
□ = 0			INITIAL REVISION:	DRWN: NBOHIDAR 2021/09/15 CHK'D: BDICK01 2021/09/28 APPR: BDICK01 2021/09/28	3 OF 3
□ = 0			DRWN: NBOHIDAR 2018/09/01 APPR: APROFFITT 2018/09/07		

BOM AND PIN OUT SHEET

ASSEMBLY DESCRIPTION	ASSEMBLY PART NUMBER	COMPONENT							BLOCKED TERMINALS																	STATUS	COMMENTS					
		THE PRESENCE OF AN ABBREVIATION INDICATES THE PRESENCE OF THAT COMPONENT.							CAVITY WITH A NUMBER INDICATES BLOCKED TERMINAL POSITION CAVITY WITHOUT A NUMBER INDICATES OPEN TERMINAL POSITION																							
		OUTER HOUSING KEY/COLOR	INNER HOUSING	PLR	LEVER	LEVER ARM (x/2)	MAT SEAL	RING SEAL																								
GPEC RCPT CONN 95 CKT END LVR KEY 1/75	349920008	1-BLACK	IH	PLR	LE	LA	M	R	1	-	3	-	5	-	7	-	-	10	-	-	-	-	15	-	-	78	-	-				
									16	-	-	-	-	-	-	-	-	-	-	-	-	-	-	-	-	-	-	-	-	-	-	
									-	-	-	-	-	-	-	-	-	-	-	-	-	-	-	-	-	41	-	-	-	-	-	-
									46	-	48	-	-	-	-	-	-	-	-	-	-	-	-	-	-	56	-	-	-	-	-	-
									61	-	63	64	-	-	-	67	68	69	-	-	-	-	-	-	-	-	-	-	-	74	75	-
GPEC RCPT CONN 95 CKT END LVR KEY 1/76	349920009	1-BLACK	IH	PLR	LE	LA	M	R	1	-	3	-	5	-	7	-	-	10	-	-	-	-	-	-	-	-	-	-				
									16	-	-	-	-	-	-	-	-	-	-	-	-	-	-	-	-	-	-	-	-	-		
									-	-	-	-	-	-	-	-	-	-	-	-	-	-	-	-	-	41	-	-	-	-	-	-
									46	-	48	-	-	-	-	-	-	-	-	-	-	-	-	-	-	56	-	-	-	-	-	-
									61	-	63	64	-	-	66	67	68	69	-	-	-	-	-	-	-	-	-	-	-	74	75	-
GPEC RCPT CONN 95 CKT END LVR KEY 1/80	349920010	1-BLACK	IH	PLR	LE	LA	M	R	1	-	3	-	5	-	7	-	-	10	-	-	-	-	-	-	-	-	-	-				
									16	-	-	-	-	-	-	-	-	-	-	-	-	-	-	-	-	-	-	-	-	-		
									-	-	-	-	-	-	-	-	-	-	-	-	-	-	-	-	-	41	-	-	-	-	-	-
									46	-	48	-	-	-	-	-	-	-	-	-	-	-	-	-	-	56	-	-	-	-	-	-
									61	-	63	64	-	-	-	67	-	69	-	-	-	-	-	-	-	-	-	-	-	-	-	-
GPEC RCPT CONN 95 CKT END LVR KEY 1/79	349920011	1-BLACK	IH	PLR	LE	LA	M	R	1	-	-	-	-	-	-	-	-	-	-	-	-	-	15	-	-	78	-	-				
									16	-	-	-	-	-	22	-	-	-	-	-	-	-	-	-	-	-	-	-	-	-		
									-	-	-	-	-	-	-	-	-	-	-	-	-	-	-	-	-	-	-	-	-	-	-	
									-	-	-	-	-	-	-	-	-	-	-	-	-	55	56	-	-	-	-	-	-	-	-	-
									-	62	63	64	-	-	67	68	69	-	-	-	-	-	-	-	-	-	-	-	-	74	75	-
GPEC RCPT CONN 95 CKT END LVR KEY 1/74	349920012	1-BLACK	IH	PLR	LE	LA	M	R	-	-	3	-	-	-	-	-	9	10	-	12	-	-	-	-	-	-	-	-				
									-	-	18	-	-	-	-	-	24	25	-	-	-	-	-	-	-	-	-	-	-	-	-	
									31	-	-	-	-	-	-	-	-	-	-	-	-	-	-	-	-	-	-	-	-	-	-	-
									-	47	48	-	-	-	-	-	-	-	-	-	-	-	-	-	-	56	-	-	-	-	-	-
									-	-	-	64	65	-	-	68	69	-	71	-	-	-	-	-	-	-	-	-	-	74	75	-
GPEC RCPT CONN 95 CKT END LVR KEY 1/83	349920013	1-BLACK	IH	PLR	LE	LA	M	R	1	-	-	-	-	-	-	-	-	-	-	-	-	-	-	-	-	78	-	-				
									16	-	-	-	-	-	-	-	-	-	-	-	-	-	-	-	-	-	-	-	-	-	-	
									-	-	-	-	-	-	-	-	-	-	-	-	-	-	-	-	-	-	-	-	-	-	-	-
									-	-	-	-	-	-	-	-	-	-	-	-	-	55	56	-	-	-	-	-	-	-	-	-
									-	62	63	64	-	-	67	68	69	-	-	-	-	-	-	-	-	-	-	-	-	-	-	-
GPEC RCPT CONN 95 CKT END LVR KEY 1/79	349920014	1-BLACK	IH	PLR	LE	LA	M	R	-	-	-	-	-	-	-	-	9	-	-	-	-	-	-	-	-	-	-	-				
									-	-	18	-	-	-	-	-	24	25	-	-	-	-	-	-	-	-	-	-	-	-	-	
									-	-	-	-	-	-	-	-	-	-	-	-	-	-	-	-	-	-	-	-	-	-	-	-
									-	47	48	-	-	-	-	-	-	-	-	-	-	-	-	-	-	56	-	-	-	-	-	-
									-	-	-	64	65	-	-	68	69	-	71	-	-	-	-	-	-	-	-	-	-	74	75	-
GPEC RCPT CONN 95 CKT END LVR KEY 1/82	349920015	1-BLACK	IH	PLR	LE	LA	M	R	-	-	-	-	-	-	-	-	9	-	-	-	-	-	-	-	-	-	-	-				
									-	-	18	-	-	-	-	-	24	25	-	-	-	-	-	-	-	-	-	-	-	-	-	
									-	-	-	-	-	-	-	-	-	-	-	-	-	-	-	-	-	-	-	-	-	-	-	-
									-	-	-	-	-	-	-	-	-	-	-	-	-	-	-	-	-	-	-	-	-	-	-	-
									-	-	-	64	65	-	-	68	69	-	71	-	-	-	-	-	-	-	-	-	-	74	75	-
GPEC RCPT CONN 95 CKT END LVR KEY 1/77	349920016	1-BLACK	IH	PLR	LE	LA	M	R	1	-	-	-	-	-	-	-	-	-	-	-	-	-	15	-	-	78	-	-				
									16	-	-	-	-	-	22	-	-	-	-	-	-	-	-	-	-	-	-	-	-	-	-	
									-	-	-	-	-	-	-	-	-	-	-	-	-	-	-	-	-	-	-	-	-	-	-	-
									-	-	-	-	-	-	-	-	-	-	-	-	-	55	56	57	-	-	-	-	-	-	-	-
									-	62	63	64	-	66	67	68	69	-	-	-	-	-	-	-	-	-	-	-	-	74	75	-
GPEC RCPT CONN 95 CKT END LVR KEY 1/67	349920017	1-BLACK	IH	PLR	LE	LA	M	R	-	-	3	-	-	-	-	-	9	10	-	12	-	-	15	-	-	78	-	-				
									-	-	18	-	-	-	-	-	24	25	-	-	-	-	-	-	-	-	-	-	-	30	-	
									31	-	-	-	-	-	-	-	-	-	-	-	-	-	-	-	-	-	-	-	-	-	-	-
									-	-	-	-	-	-	-	-	-	-	-	-	-	-	-	-	-	-	-	-	-	-	-	-
									-	62	63	64	65	-	-	68	69	70	71	72	73	74	75	-	-	-	-	-	-	-	-	-

BOM AND PIN OUT SHEET

ASSEMBLY DESCRIPTION	ASSEMBLY PART NUMBER	COMPONENT							BLOCKED TERMINALS																	STATUS	COMMENTS			
		THE PRESENCE OF AN ABBREVIATION INDICATES THE PRESENCE OF THAT COMPONENT.							CAVITY WITH A NUMBER INDICATES BLOCKED TERMINAL POSITION CAVITY WITHOUT A NUMBER INDICATES OPEN TERMINAL POSITION																					
		OUTER HOUSING KEY/COLOR	INNER HOUSING	PLR	LEVER	LEVER ARM (x/2)	MAT SEAL	RING SEAL																						
GPEC RCPT CONN 95 CKT TOP LVR KEY 1/47	349921003	1-BLACK	IH	PLR	LT	LA	M	R	-	-	3	4	5	-	-	-	9	-	-	12	13	-	15	-	77	78	79	80	SALEABLE	
									16	17	18	-	20	21	-	23	24	25	26	-	28	-	30	-	-	-	-	85		
									-	-	-	-	-	-	-	38	-	-	-	-	43	44	45	-	-	-	-	-		
									46	47	-	49	-	51	-	53	54	-	56	-	-	59	-	86	-	-	-	-		
									61	-	-	-	-	66	67	68	69	70	71	-	73	74	-	91	-	-	94	95		
GPEC RCPT CONN 95 CKT TOP LVR KEY 1/77	349921004	1-BLACK	IH	PLR	LT	LA	M	R	-	-	-	-	-	-	-	-	9	-	-	-	-	-	15	-	-	-	-	-	SALEABLE	
									-	-	18	-	-	-	-	-	24	25	-	-	-	-	30	-	-	-	-	-		
									-	-	-	-	-	-	-	-	-	-	-	-	-	-	-	-	-	-	-	-		
									-	-	-	-	-	-	-	-	-	-	-	-	-	-	-	-	87	88	-	-		
									-	-	-	64	65	-	-	68	69	70	-	72	73	74	75	-	-	-	-	-		
GPEC RCPT CONN 95 CKT TOP LVR KEY 1/68	349921005	1-BLACK	IH	PLR	LT	LA	M	R	-	-	3	-	-	-	-	-	9	10	-	12	-	-	15	-	-	78	-	-	SALEABLE	
									-	-	18	-	-	-	-	-	24	25	-	-	-	-	30	-	-	83	-	-		
									31	-	-	-	-	-	-	-	-	-	-	-	-	-	45	-	-	-	-	-		
									-	47	48	-	-	-	-	-	-	-	56	-	-	-	-	-	87	88	-	-		
									-	-	-	64	65	-	-	68	69	70	-	72	73	74	75	-	-	-	-	-		
GPEC RCPT CONN 95 CKT TOP LVR KEY 1/65	349921006	1-BLACK	IH	PLR	LT	LA	M	R	-	-	3	-	-	-	-	-	9	10	-	12	-	-	15	-	-	78	-	-	SALEABLE	
									-	-	18	-	-	-	-	-	24	25	-	-	-	-	30	-	-	83	-	-		
									31	-	-	-	-	-	-	-	-	-	-	-	-	-	45	-	-	-	-	-		
									46	47	48	-	-	-	-	-	-	-	56	-	-	-	-	-	87	88	-	-		
									61	-	-	64	65	-	-	68	69	70	71	72	73	74	75	-	-	-	-	-		
GPEC RCPT CONN 95 CKT TOP LVR KEY 1/68	349921007	1-BLACK	IH	PLR	LT	LA	M	R	-	-	3	-	-	-	-	-	9	10	-	12	-	-	15	-	-	78	-	-	SALEABLE	
									-	-	18	-	-	-	-	-	24	-	-	-	-	-	-	-	-	83	-	-		
									31	-	-	-	-	-	-	-	-	-	-	-	-	-	-	-	-	-	-	-		
									46	47	48	-	-	-	-	-	-	-	56	-	-	-	-	-	87	88	-	-		
									61	-	-	64	65	-	-	68	69	70	71	72	73	74	75	-	-	-	-	-		
GPEC RCPT CONN 95 CKT TOP LVR KEY 1/94	349921008	1-BLACK	IH	PLR	LT	LA	M	R	-	-	-	-	-	-	-	-	-	-	-	-	-	-	-	-	-	-	-	-	SALEABLE	
									-	-	-	-	-	-	-	-	-	-	-	-	-	-	-	-	-	-	-	-		
									-	-	-	-	-	-	-	-	-	-	-	-	-	-	-	-	-	-	-	-		
									-	-	-	-	-	-	-	-	-	-	-	-	-	-	75	-	-	-	-	-		
									-	-	-	-	-	-	-	-	-	-	-	-	-	-	-	-	-	-	-	-		
GPEC RCPT CONN 95 CKT END LVR KEY 2/95	349922001	2-BLACK	IH	PLR	LE	LA	M	R	-	-	-	-	-	-	-	-	-	-	-	-	-	-	-	-	-	-	-	-	SALEABLE	
									-	-	-	-	-	-	-	-	-	-	-	-	-	-	-	-	-	-	-	-		
									-	-	-	-	-	-	-	-	-	-	-	-	-	-	-	-	-	-	-	-		
									-	-	-	-	-	-	-	-	-	-	-	-	-	-	-	-	-	-	-	-		
									-	-	-	-	-	-	-	-	-	-	-	-	-	-	-	-	-	-	-	-		
GPEC RCPT CONN 95 CKT TOP LVR KEY 2/95	349923001	2-BLACK	IH	PLR	LT	LA	M	R	-	-	-	-	-	-	-	-	-	-	-	-	-	-	-	-	-	-	-	-	SALEABLE	
									-	-	-	-	-	-	-	-	-	-	-	-	-	-	-	-	-	-	-	-		
									-	-	-	-	-	-	-	-	-	-	-	-	-	-	-	-	-	-	-	-		
									-	-	-	-	-	-	-	-	-	-	-	-	-	-	-	-	-	-	-	-		
									-	-	-	-	-	-	-	-	-	-	-	-	-	-	-	-	-	-	-	-		
GPEC RCPT CONN 95 CKT TOP LVR KEY 2/46	349923002	2-BLACK	IH	PLR	LT	LA	M	R	-	-	-	4	-	6	-	8	9	-	11	-	-	14	15	-	77	-	-	80	SALEABLE	
									-	17	-	-	-	21	-	-	24	-	-	-	28	29	30	81	-	83	-	85		
									-	32	-	-	-	-	-	-	-	-	41	-	43	44	45	-	-	-	-	-		
									46	-	48	-	-	-	-	53	-	-	56	57	58	-	-	86	87	88	-	90		
									61	62	63	64	65	66	67	68	69	70	71	72	73	74	75	-	-	-	-	95		
GPEC RCPT CONN 95 CKT END LVR KEY 3/95	349924001	3-BLACK	IH	PLR	LE	LA	M	R	-	-	-	-	-	-	-	-	-	-	-	-	-	-	-	-	-	-	-	-	SALEABLE	
									-	-	-	-	-	-	-	-	-	-	-	-	-	-	-	-	-	-	-	-		
									-	-	-	-	-	-	-	-	-	-	-	-	-	-	-	-	-	-	-	-		
									-	-	-	-	-	-	-	-	-	-	-	-	-	-	-	-	-	-	-	-		
									-	-	-	-	-	-	-	-	-	-	-	-	-	-	-	-	-	-	-	-		

BOM AND PIN OUT SHEET

ASSEMBLY DESCRIPTION	ASSEMBLY PART NUMBER	COMPONENT							BLOCKED TERMINALS																	STATUS	COMMENTS		
		THE PRESENCE OF AN ABBREVIATION INDICATES THE PRESENCE OF THAT COMPONENT.							CAVITY WITH A NUMBER INDICATES BLOCKED TERMINAL POSITION CAVITY WITHOUT A NUMBER INDICATES OPEN TERMINAL POSITION																				
		OUTER HOUSING KEY/COLOR	INNER HOUSING	PLR	LEVER	LEVER ARM (x/2)	MAT SEAL	RING SEAL																					
GPEC RCPT CONN 95 CKT TOP LVR KEY 3/47	349925007	3-BLACK	IH	PLR	LT	LA	M	R	-	-	3	4	5	-	-	8	-	-	-	-	-	14	15	76	77	78	79	-	
									16	17	18	19	20	21	22	23	-	25	26	-	28	29	30	81	-	-	-	-	
									-	-	-	-	-	-	-	-	-	40	-	-	-	-	-	-	-	-	-	-	-
									46	47	48	49	-	51	-	-	54	55	56	57	-	59	-	86	-	-	-	-	
									61	-	-	-	-	66	67	68	-	70	-	72	73	74	75	91	92	93	-	-	
GPEC RCPT CONN 95 CKT TOP LVR KEY 3/57	349925008	3-BLACK	IH	PLR	LT	LA	M	R	-	-	-	-	-	-	-	-	-	-	-	-	-	-	-	-	-	-	-	-	
									-	-	-	-	-	21	-	23	-	25	26	-	-	-	-	-	-	-	-	-	
									-	32	33	-	-	-	-	-	39	-	41	-	43	44	-	-	-	-	-	-	
									-	-	48	49	50	51	52	-	-	55	56	-	58	-	60	-	-	88	89	-	
									61	62	63	64	65	66	67	68	69	70	71	72	73	74	75	-	-	93	94	-	
GPEC RCPT CONN 95 CKT TOP LVR KEY 3/53	349925009	3-BLACK	IH	PLR	LT	LA	M	R	-	-	-	4	-	-	-	-	-	-	-	-	-	-	-	-	-	-	-	-	
									-	-	-	-	-	21	-	23	-	25	26	-	-	-	-	-	-	-	-	-	
									-	32	33	-	-	-	37	-	39	-	41	-	43	44	-	-	-	-	-	-	
									-	-	48	49	50	51	52	-	-	55	56	-	58	-	60	-	87	88	89	-	
									61	62	63	64	65	66	67	68	69	70	71	72	73	74	75	-	92	93	94	-	
GPEC RCPT CONN 95 CKT TOP LVR KEY 3/44	349925010	3-BLACK	IH	PLR	LT	LA	M	R	-	-	-	4	5	-	7	8	-	-	-	12	13	14	15	-	77	78	79	-	
									16	17	18	19	20	21	-	23	24	25	26	-	28	29	30	81	-	-	-	-	
									-	-	-	-	-	-	-	-	-	-	-	-	-	-	-	-	-	-	-	-	
									46	47	-	49	-	51	52	53	54	55	56	57	58	59	60	86	-	-	-	-	
									61	-	-	-	-	66	67	68	69	70	71	-	73	74	75	91	92	-	-	-	
GPEC RCPT CONN 95 CKT TOP LVR KEY 3/50	349925011	3-BLACK	IH	PLR	LT	LA	M	R	-	-	-	4	5	-	-	8	-	-	-	-	14	15	-	77	78	79	-		
									16	17	18	19	20	21	22	23	-	25	26	-	28	29	30	81	-	-	-	-	
									-	-	-	-	-	-	-	-	-	40	-	-	-	-	-	-	-	-	-	-	
									46	-	48	-	-	51	-	-	54	55	56	57	58	59	-	86	-	-	-	-	
									61	-	-	64	-	66	67	68	69	70	71	72	-	-	75	91	92	-	-	-	
GPEC RCPT CONN 95 CKT TOP LVR KEY 3/45	349925012	3-BLACK	IH	PLR	LT	LA	M	R	-	2	-	4	-	-	7	8	-	-	-	12	13	14	15	-	77	78	79	-	
									16	17	18	-	20	21	22	23	-	25	26	-	28	29	30	81	-	-	-	-	
									-	-	-	-	-	-	-	-	-	-	-	42	-	-	-	-	-	-	-	-	
									46	-	48	49	-	51	52	53	54	55	56	57	58	59	60	86	-	-	-	-	
									61	-	-	-	-	66	67	68	69	70	71	72	-	74	-	91	92	-	-	-	
GPEC RCPT CONN 95 CKT TOP LVR KEY 3/43	349925013	3-BLACK	IH	PLR	LT	LA	M	R	-	2	-	4	-	-	7	8	-	-	-	12	13	14	15	-	77	78	79	-	
									16	17	18	-	20	21	22	23	-	25	26	-	28	29	30	81	-	-	-	-	
									-	-	-	-	-	-	-	-	-	40	-	42	-	-	-	-	-	-	-	-	
									46	47	48	49	-	51	52	53	54	55	56	57	58	59	60	86	-	-	-	-	
									61	-	-	-	-	66	67	68	69	70	71	72	-	74	-	91	92	-	-	-	
GPEC RCPT CONN 95 CKT TOP LVR KEY 3/42	349925014	3-BLACK	IH	PLR	LT	LA	M	R	-	-	-	-	-	6	-	-	-	-	11	12	-	-	15	-	-	-	-	-	
									-	-	-	-	-	21	22	23	-	25	-	27	-	29	-	-	-	-	-	-	
									31	32	33	34	35	-	37	-	39	-	41	-	43	44	45	-	-	-	-	-	
									46	47	48	-	50	51	-	53	54	55	56	57	58	-	-	-	87	88	89	-	
									61	62	63	64	65	66	67	68	69	70	71	72	73	74	75	-	92	93	94	-	
GPEC RCPT CONN 95 CKT TOP LVR KEY 3/42	349925015	3-BLACK	IH	PLR	LT	LA	M	R	1	-	-	4	5	-	-	-	-	10	-	-	-	-	-	-	-	-	-	-	
									-	17	-	19	-	21	-	23	24	25	-	-	-	-	-	-	-	-	-	-	
									31	32	33	-	35	-	37	-	39	-	41	42	43	44	45	-	-	-	-	-	
									-	-	48	49	50	51	52	53	-	55	56	-	58	59	60	-	87	88	89	-	
									61	62	63	64	65	66	67	68	69	70	71	72	73	74	75	-	92	93	94	-	
GPEC RCPT CONN 95 CKT TOP LVR KEY 3/51	349925016	3-BLACK	IH	PLR	LT	LA	M	R	-	-	-	4	5	-	-	-	-	-	-	-	-	-	-	-	-	-	-	-	
									-	-	-	-	-	21	-	23	24	25	26	27	-	29	-	81	82	-	-	-	
									-	32	33	-	35	-	37	-	-	-	-	-	43	44	-	-	-	-	-	-	
									-	-	-	-	50	-	52	53	54	55	-	-	58	59	60	-	-	88	89	-	
									61	62	63	64	65	66	67	68	69	70	71	72	73	74	75	-	-	93	94	-	

BOM AND PIN OUT SHEET

ASSEMBLY DESCRIPTION	ASSEMBLY PART NUMBER	COMPONENT							BLOCKED TERMINALS																	STATUS	COMMENTS		
		THE PRESENCE OF AN ABBREVIATION INDICATES THE PRESENCE OF THAT COMPONENT.							CAVITY WITH A NUMBER INDICATES BLOCKED TERMINAL POSITION CAVITY WITHOUT A NUMBER INDICATES OPEN TERMINAL POSITION																				
		OUTER HOUSING KEY/COLOR	INNER HOUSING	PLR	LEVER	LEVER ARM (x/2)	MAT SEAL	RING SEAL																					
GPEC RCPT CONN 95 CKT TOP LVR KEY 4/50	349927006	4-BLACK	IH	PLR	LT	LA	M	R	-	-	3	4	-	-	-	-	9	-	-	12	13	-	15	-	77	78	79	-	
									16	17	18	19	20	21	-	23	24	25	26	-	28	-	30	-	-	-	-	-	
									-	-	-	-	-	-	-	-	38	-	-	-	-	43	44	45	-	-	-	-	-
									46	47	48	49	-	51	-	53	54	-	56	-	-	59	-	86	-	-	-	-	
									61	-	-	-	-	66	67	68	69	70	71	-	73	74	-	91	-	-	-	-	
GPEC RCPT CONN 95 CKT TOP LVR KEY 4/54	349927007	4-BLACK	IH	PLR	LT	LA	M	R	-	-	3	4	5	-	-	-	9	-	-	-	-	-	15	-	77	78	79	80	
									16	17	18	19	20	-	-	23	24	25	26	-	28	-	-	-	-	-	-	-	
									-	-	-	-	-	-	-	-	38	-	-	-	-	-	44	-	-	-	-	-	-
									46	47	-	49	-	51	-	-	54	-	56	-	-	59	-	86	-	-	-	-	
									61	-	-	-	-	66	67	68	69	70	71	-	73	74	75	91	-	-	-	95	
GPEC RCPT CONN 95 CKT TOP LVR KEY 4/46	349927008	4-BLACK	IH	PLR	LT	LA	M	R	-	-	3	4	-	-	-	-	9	-	-	12	13	-	15	-	77	78	79	80	
									16	17	18	19	20	21	-	23	24	25	26	-	28	-	30	-	-	-	-	85	
									-	-	-	-	-	-	-	-	38	-	-	-	-	43	44	45	-	-	-	-	-
									46	47	48	49	-	51	-	53	54	-	56	-	-	59	-	86	-	-	-	-	
									61	-	-	-	-	66	67	68	69	70	71	-	73	74	-	91	-	-	94	95	
GPEC RCPT CONN 95 CKT TOP LVR KEY 4/45	349927009	4-BLACK	IH	PLR	LT	LA	M	R	-	-	3	4	-	6	7	8	9	-	-	12	13	-	15	-	77	78	79	80	
									16	17	18	19	20	-	-	23	24	25	26	-	28	-	-	-	-	-	-	85	
									-	-	-	-	-	-	-	-	38	-	-	41	-	43	44	45	-	-	-	-	-
									46	47	48	49	-	51	-	53	54	-	56	-	-	59	-	86	-	-	-	-	
									61	-	-	-	-	66	67	68	-	70	71	-	73	74	-	91	-	-	94	95	
GPEC RCPT CONN 95 CKT TOP LVR KEY 4/42	349927010	4-BLACK	IH	PLR	LT	LA	M	R	-	-	3	4	-	6	7	8	9	-	-	12	13	-	15	-	77	78	79	80	
									16	17	18	19	20	21	-	23	24	25	26	-	28	-	30	-	-	-	-	85	
									-	-	-	-	-	-	-	-	38	-	-	41	-	43	44	45	-	-	-	-	-
									46	47	48	49	-	51	-	53	54	-	56	-	-	59	-	86	-	-	-	-	
									61	-	-	-	-	66	67	68	69	70	71	-	73	74	-	91	-	-	94	95	
GPEC RCPT CONN 95 CKT TOP LVR KEY 4/47	349927011	4-BLACK	IH	PLR	LT	LA	M	R	-	-	3	4	5	-	-	-	9	-	-	12	13	-	15	-	77	78	79	80	
									16	17	18	-	20	21	-	23	24	25	26	-	28	-	30	-	-	-	-	85	
									-	-	-	-	-	-	-	-	38	-	-	-	-	43	44	45	-	-	-	-	-
									46	47	-	49	-	51	-	53	54	-	56	-	-	59	-	86	-	-	-	-	
									61	-	-	-	-	66	67	68	69	70	71	-	73	74	-	91	-	-	94	95	
GPEC RCPT CONN 95 CKT TOP LVR KEY 4/52	349927012	4-BLACK	IH	PLR	LT	LA	M	R	1	2	3	4	5	6	-	-	9	-	-	-	-	14	15	-	77	-	79	80	
									-	17	18	19	20	-	-	23	24	25	-	-	28	-	-	-	-	-	-	85	
									-	-	-	-	-	-	-	37	-	-	-	-	-	-	44	-	-	-	-	-	-
									46	-	48	49	-	51	-	-	-	-	56	-	-	59	-	86	-	-	-	-	
									61	-	63	64	-	66	67	68	69	-	71	-	-	74	75	91	92	-	-	95	
GPEC RCPT CONN 95 CKT TOP LVR KEY 4/47	349927013	4-BLACK	IH	PLR	LT	LA	M	R	-	-	3	4	-	-	-	-	9	-	-	12	13	-	15	-	77	78	79	80	
									16	17	18	-	20	21	-	23	24	25	26	-	28	-	30	-	-	-	-	85	
									-	-	-	-	-	-	-	-	38	-	-	-	-	43	44	45	-	-	-	-	-
									46	47	48	49	-	51	-	53	54	-	56	-	-	59	-	86	-	-	-	-	
									61	-	-	-	-	66	67	68	69	70	71	-	73	74	-	91	-	-	94	95	
GPEC RCPT CONN 95 CKT TOP LVR KEY 4/50	349927014	4-BLACK	IH	PLR	LT	LA	M	R	-	-	3	4	-	-	-	-	9	-	-	12	13	-	15	-	77	78	79	80	
									16	17	18	-	20	21	-	23	24	25	26	-	28	-	30	-	-	-	-	85	
									-	-	-	-	-	-	-	-	38	-	-	-	-	43	-	-	-	-	-	-	-
									46	47	-	49	-	51	52	53	54	-	56	-	-	59	-	86	-	-	-	-	
									-	-	-	-	-	66	67	68	69	70	71	-	73	74	-	91	-	-	94	95	
GPEC RCPT CONN 95 CKT TOP LVR KEY 4/52	349927015	4-BLACK	IH	PLR	LT	LA	M	R	1	-	3	4	-	6	-	-	9	-	-	-	-	-	15	-	-	78	79	80	
									16	17	-	19	-	21	-	23	24	25	26	-	28	29	30	-	-	-	-	85	
									-	-	-	-	-	-	-	-	-	-	-	-	42	-	44	-	-	-	-	-	-
									46	-	-	49	-	51	-	53	54	55	56	-	-	59	-	86	-	-	-	-	
									-	-	-	64	-	66	67	68	69	70	71	-	-	74	75	91	-	-	-	95	

BOM AND PIN OUT SHEET

ASSEMBLY DESCRIPTION	ASSEMBLY PART NUMBER	COMPONENT							BLOCKED TERMINALS																	STATUS	COMMENTS			
		THE PRESENCE OF AN ABBREVIATION INDICATES THE PRESENCE OF THAT COMPONENT.							CAVITY WITH A NUMBER INDICATES BLOCKED TERMINAL POSITION CAVITY WITHOUT A NUMBER INDICATES OPEN TERMINAL POSITION																					
		OUTER HOUSING KEY/COLOR	INNER HOUSING	PLR	LEVER	LEVER ARM (x/2)	MAT SEAL	RING SEAL																						
GPEC RCPT CONN 95 CKT TOP LVR KEY 4/50	349927016	4-BLACK	IH	PLR	LT	LA	M	R	-	-	3	4	-	-	-	-	9	-	-	12	13	-	15	-	77	78	79	80	SALEABLE	
									16	17	18	-	20	21	22	23	-	25	26	-	28	-	30	-	-	-	-	85		
									-	-	-	-	-	-	-	-	-	40	-	42	-	44	-	-	-	-	-	-		
									46	47	48	-	-	51	52	53	54	-	56	-	-	59	-	86	-	-	-	-		
									61	-	-	-	-	66	67	68	-	70	71	72	73	74	-	-	-	-	-	95		
GPEC RCPT CONN 95 CKT END LVR KEY 5/95	349928001	5-BLACK	IH	PLR	LE	LA	M	R	-	-	-	-	-	-	-	-	-	-	-	-	-	-	-	-	-	-	-	-	SALEABLE	
									-	-	-	-	-	-	-	-	-	-	-	-	-	-	-	-	-	-	-	-		
									-	-	-	-	-	-	-	-	-	-	-	-	-	-	-	-	-	-	-	-		
									-	-	-	-	-	-	-	-	-	-	-	-	-	-	-	-	-	-	-	-		
									-	-	-	-	-	-	-	-	-	-	-	-	-	-	-	-	-	-	-	-		
GPEC RCPT CONN 95 CKT END LVR KEY 5/95	349928002	5-BLACK	IH	PLR	LE	LA	M	R	-	-	-	-	-	-	-	-	-	-	-	-	-	-	-	-	-	-	-	-	SALEABLE	
									-	-	-	-	-	-	-	-	-	-	-	-	-	-	-	-	-	-	-	-		
									-	-	-	-	-	-	-	-	-	-	-	-	-	-	-	-	-	-	-	-		
									-	-	-	-	-	-	-	-	-	-	-	-	-	-	-	-	-	-	-	-		
									-	-	-	-	-	-	-	-	-	-	-	-	-	-	-	-	-	-	-	-		
GPEC RCPT CONN 95 CKT END LVR KEY 5/49	349928003	5-BLACK	IH	PLR	LE	LA	M	R	-	2	3	4	-	-	-	-	-	-	-	-	-	14	15	-	-	-	-	-	SALEABLE	
									-	17	18	-	20	21	-	-	24	-	26	27	-	-	30	81	-	-	-	85		
									-	-	33	34	35	-	-	38	39	-	41	-	-	44	-	-	-	-	-	-		
									46	47	48	49	50	51	52	53	-	-	-	57	58	-	-	86	87	88	-	-		
									-	62	63	64	65	66	67	68	-	70	71	72	-	-	-	91	-	-	-	-		
GPEC RCPT CONN 95 CKT END LVR KEY 5/56	349928004	5-BLACK	IH	PLR	LE	LA	M	R	-	-	-	4	5	-	-	-	-	-	-	-	-	-	-	-	-	-	-	-	SALEABLE	
									-	-	-	-	-	21	-	23	-	-	26	27	-	-	-	-	-	-	-	-		
									31	32	-	-	-	-	37	-	39	-	-	42	43	-	-	-	-	-	-	-		
									-	-	48	49	50	51	52	53	54	55	56	-	58	59	60	-	87	-	-	-		
									61	62	63	64	65	-	67	68	-	-	-	72	73	74	75	-	92	93	94	-		
GPEC RCPT CONN 95 CKT END LVR KEY 5/44	349928005	5-BLACK	IH	PLR	LE	LA	M	R	-	-	-	-	5	-	-	-	-	-	-	12	-	-	-	76	77	78	79	80	SALEABLE	
									-	-	-	-	-	21	-	-	24	25	-	27	-	29	-	-	-	83	84	85		
									31	32	33	34	35	-	-	-	39	-	-	-	43	44	-	-	-	-	-	90		
									-	-	48	49	50	51	52	-	-	55	56	-	58	59	60	-	-	-	-	95		
									61	62	63	64	65	66	67	68	69	70	71	72	73	74	75	-	-	-	94	95		
GPEC RCPT CONN 95 CKT TOP LVR KEY 5/95	349929001	5-BLACK	IH	PLR	LT	LA	M	R	-	-	-	-	-	-	-	-	-	-	-	-	-	-	-	-	-	-	-	-	SALEABLE	
									-	-	-	-	-	-	-	-	-	-	-	-	-	-	-	-	-	-	-	-		
									-	-	-	-	-	-	-	-	-	-	-	-	-	-	-	-	-	-	-	-		
									-	-	-	-	-	-	-	-	-	-	-	-	-	-	-	-	-	-	-	-		
									-	-	-	-	-	-	-	-	-	-	-	-	-	-	-	-	-	-	-	-		
GPEC RCPT CONN 95 CKT TOP LVR KEY 5/51	349929002	5-BLACK	IH	PLR	LT	LA	M	R	-	-	3	4	-	-	-	-	9	-	-	12	13	-	15	-	77	78	-	80	SALEABLE	
									16	17	-	19	-	21	-	23	24	-	-	-	28	29	30	-	-	-	-	85		
									-	-	-	-	-	-	-	-	-	-	-	-	-	44	-	-	-	-	-	-		
									46	47	48	-	-	51	52	53	54	-	56	-	-	59	60	86	-	-	-	-		
									61	-	-	64	-	66	67	68	69	70	71	-	73	74	75	91	-	-	-	95		
GPEC RCPT CONN 95 CKT TOP LVR KEY 5/95	349929003	5-BLACK	IH	PLR	LT	LA	M	R	-	-	-	-	-	-	-	-	-	-	-	-	-	-	-	-	-	-	-	-	SALEABLE	
									-	-	-	-	-	-	-	-	-	-	-	-	-	-	-	-	-	-	-	-		
									-	-	-	-	-	-	-	-	-	-	-	-	-	-	-	-	-	-	-	-		
									-	-	-	-	-	-	-	-	-	-	-	-	-	-	-	-	-	-	-	-		
									-	-	-	-	-	-	-	-	-	-	-	-	-	-	-	-	-	-	-	-		
GPEC RCPT CONN 95 CKT TOP LVR KEY 5/45	349929004	5-BLACK	IH	PLR	LT	LA	M	R	-	-	3	4	-	6	7	8	9	-	-	12	13	-	15	-	77	78	-	80	SALEABLE	
									16	17	-	19	-	21	-	23	24	-	-	-	28	29	30	-	-	-	-	85		
									-	-	-	-	-	-	-	-	-	-	-	-	-	44	-	-	-	-	-	-		
									46	47	48	-	-	51	52	53	54	55	56	-	-	59	60	86	-	-	-	-		
									61	-	-	64	-	66	67	68	69	70	71	-	73	74	75	91	-	-	-	95		

BOM AND PIN OUT SHEET

ASSEMBLY DESCRIPTION	ASSEMBLY PART NUMBER	COMPONENT							BLOCKED TERMINALS																	STATUS	COMMENTS				
		THE PRESENCE OF AN ABBREVIATION INDICATES THE PRESENCE OF THAT COMPONENT.							CAVITY WITH A NUMBER INDICATES BLOCKED TERMINAL POSITION CAVITY WITHOUT A NUMBER INDICATES OPEN TERMINAL POSITION																						
		OUTER HOUSING KEY/COLOR	INNER HOUSING	PLR	LEVER	LEVER ARM (x/2)	MAT SEAL	RING SEAL																							
GPEC RCPT CONN 95 CKT TOP LVR KEY 5/48	349929005	5-BLACK	IH	PLR	LT	LA	M	R	-	-	3	4	-	6	7	8	9	-	-	-	-	-	15	-	77	78	-	80	SALEABLE		
									16	17	-	19	-	21	-	23	24	-	-	-	28	29	30	-	-	-	-	85			
									-	-	-	-	-	-	-	-	-	-	41	42	-	44	-	-	-	-	-	-			
									46	47	48	-	-	51	-	53	54	55	56	-	-	59	60	86	-	-	-	-			
									61	-	-	64	-	66	67	68	69	70	71	-	73	74	75	91	-	-	-	95			
GPEC RCPT CONN 95 CKT TOP LVR KEY 5/50	349929006	5-BLACK	IH	PLR	LT	LA	M	R	-	-	-	4	5	-	-	-	-	-	-	-	-	-	-	-	-	-	-	-	SALEABLE		
									-	-	-	19	-	21	-	23	24	25	26	27	-	-	-	81	82	-	-	-			
									31	-	-	-	-	-	37	38	39	-	41	-	43	44	-	-	-	-	-	-			
									-	-	48	49	-	-	52	-	54	55	56	-	58	59	60	-	87	88	89	-			
									61	62	63	64	65	66	67	68	-	70	71	72	73	74	75	-	92	-	-	-			
GPEC RCPT CONN 95 CKT TOP LVR KEY 5/57	349929007	5-BLACK	IH	PLR	LT	LA	M	R	-	-	-	4	5	-	-	-	-	-	-	-	-	-	-	-	-	-	-	SALEABLE			
									-	-	-	-	-	21	-	23	-	25	26	27	-	-	-	-	-	-	-			-	
									31	32	-	-	-	-	37	-	39	-	-	42	43	-	-	-	-	-	-			-	
									-	-	-	49	50	51	52	53	54	-	56	-	58	59	60	-	87	88	-			-	
									61	62	63	64	65	66	67	68	-	-	-	72	73	74	75	-	92	-	-			-	
GPEC RCPT CONN 95 CKT TOP LVR KEY 5/66	349929008	5-BLACK	IH	PLR	LT	LA	M	R	-	-	-	-	-	-	-	-	-	-	-	-	-	-	-	-	-	-	80	SALEABLE			
									-	-	-	19	-	-	-	-	-	-	-	-	27	-	-	-	-	-	-			-	85
									-	32	-	-	-	-	-	-	-	-	-	-	43	-	-	-	-	-	-			-	
									-	-	48	49	-	51	52	-	-	55	56	-	58	59	60	-	-	-	89			-	
									61	62	63	64	-	-	67	68	69	-	-	72	73	74	75	-	-	-	94			-	
GPEC RCPT CONN 95 CKT TOP LVR KEY 5/49	349929009	5-BLACK	IH	PLR	LT	LA	M	R	-	-	-	4	5	-	-	-	-	-	-	-	-	-	-	-	-	-	-	SALEABLE			
									-	-	18	19	-	21	-	23	24	25	26	27	-	-	-	81	82	-	-			-	
									31	-	-	-	-	-	37	38	39	-	41	-	43	44	-	-	-	-	-			-	
									-	-	48	49	-	-	52	-	54	55	56	-	58	59	60	-	87	88	89			-	
									61	62	63	64	65	66	67	68	-	70	71	72	73	74	75	-	92	-	-			-	
GPEC RCPT CONN 95 CKT TOP LVR KEY 5/94	349929010	5-BLACK	IH	PLR	LT	LA	M	R	-	-	-	-	-	-	-	-	-	-	-	-	-	-	-	-	-	-	-	SALEABLE			
									-	-	-	-	-	-	-	-	-	-	-	-	-	-	-	-	-	-	-			-	
									-	-	-	-	-	-	-	-	-	-	-	-	-	-	-	-	-	-	-			-	
									-	-	-	-	-	-	-	-	-	-	-	-	-	-	-	-	-	-	-			-	
									-	-	-	-	-	-	-	-	-	-	-	-	-	-	75	-	-	-	-			-	
GPEC RCPT CONN 95 CKT TOP LVR KEY 5/51	349929011	5-BLACK	IH	PLR	LT	LA	M	R	-	-	-	4	5	-	-	-	-	-	-	-	-	-	-	-	-	-	-	SALEABLE			
									-	-	18	19	-	21	-	23	24	25	26	27	-	-	-	81	82	-	-			-	
									31	-	-	-	-	-	37	38	39	-	41	-	43	44	-	-	-	-	-			-	
									-	-	48	49	-	-	52	-	54	55	56	-	58	59	60	-	87	88	89			-	
									61	62	63	64	65	66	67	68	-	-	-	72	73	74	75	-	92	-	-			-	
GPEC RCPT CONN 95 CKT TOP LVR KEY 5/54	349929012	5-BLACK	IH	PLR	LT	LA	M	R	-	-	-	4	5	-	-	-	-	-	-	-	-	-	-	-	-	-	-	SALEABLE			
									-	-	-	-	-	21	-	23	24	-	26	27	28	-	-	81	82	-	-			-	
									31	-	-	-	-	-	37	38	39	-	-	42	43	44	-	-	-	-	-			-	
									-	-	48	49	-	-	52	-	54	55	56	-	58	59	60	-	87	88	-			-	
									61	62	63	64	65	-	67	68	-	-	-	72	73	74	75	-	92	-	94			-	
GPEC RCPT CONN 95 CKT TOP LVR KEY 5/39	349929013	5-BLACK	IH	PLR	LT	LA	M	R	-	-	3	4	-	6	7	8	9	-	-	12	13	-	15	-	77	78	79	80	SALEABLE		
									16	17	18	19	20	21	22	23	-	25	26	-	28	29	30	-	-	-	-	85			
									-	-	-	-	-	-	-	-	38	-	40	41	42	-	44	-	-	-	-	-			-
									46	47	48	-	-	51	52	53	54	55	56	-	-	59	-	86	-	-	-	-			
									61	-	-	64	-	66	67	68	69	70	71	72	73	74	75	-	-	-	-	95			
GPEC RCPT CONN 95 CKT TOP LVR KEY 5/40	349929014	5-BLACK	IH	PLR	LT	LA	M	R	-	-	3	4	-	6	7	8	9	-	-	12	13	-	15	-	77	78	79	80	SALEABLE		
									16	17	18	19	20	21	22	23	-	25	26	-	28	29	30	-	-	-	-	85			
									-	-	-	-	-	-	-	-	38	-	40	41	-	-	44	-	-	-	-	-			-
									46	47	48	-	-	51	52	53	54	55	56	-	-	59	-	86	-	-	-	-			
									61	-	-	64	-	66	67	68	69	70	71	72	73	74	75	-	-	-	-	95			

BOM AND PIN OUT SHEET

ASSEMBLY DESCRIPTION	ASSEMBLY PART NUMBER	COMPONENT							BLOCKED TERMINALS																	STATUS	COMMENTS			
		THE PRESENCE OF AN ABBREVIATION INDICATES THE PRESENCE OF THAT COMPONENT.							CAVITY WITH A NUMBER INDICATES BLOCKED TERMINAL POSITION CAVITY WITHOUT A NUMBER INDICATES OPEN TERMINAL POSITION																					
		OUTER HOUSING KEY/COLOR	INNER HOUSING	PLR	LEVER	LEVER ARM (x/2)	MAT SEAL	RING SEAL																						
GPEC RCPT CONN 95 CKT TOP LVR KEY 5/38	349929015	5-BLACK	IH	PLR	LT	LA	M	R	-	-	3	4	-	6	7	8	9	-	-	12	13	-	15	-	77	78	79	80	SALEABLE	
									16	17	18	19	20	21	22	23	-	25	26	-	28	29	30	-	-	-	-	85		
									-	-	-	-	-	-	-	38	-	40	41	42	-	44	-	-	-	-	-	-		
									46	47	48	-	-	51	52	53	54	55	56	-	-	59	-	86	-	-	-	-		
									61	-	-	64	-	66	67	68	69	70	71	72	73	74	75	91	-	-	-	95		
GPEC RCPT CONN 95 CKT TOP LVR KEY 5/60	349929016	5-BLACK	IH	PLR	LT	LA	M	R	-	-	-	4	-	-	-	-	-	10	-	-	-	-	-	-	-	-	-	-	SALEABLE	
									-	-	-	-	-	-	-	23	-	-	-	27	-	-	-	-	-	-	-	-		
									-	32	-	-	-	-	37	-	-	-	-	-	43	44	45	-	-	-	-	-		
									-	-	48	49	-	51	52	-	-	55	56	-	58	59	60	-	87	88	89	-		
									61	62	63	64	65	-	67	68	-	-	-	72	73	74	75	-	92	93	94	-		
GPEC RCPT CONN 95 CKT TOP LVR KEY 5/58	349929017	5-BLACK	IH	PLR	LT	LA	M	R	-	-	-	4	-	-	-	-	-	10	-	-	-	-	-	-	-	-	-	-	SALEABLE	
									-	-	-	-	-	-	-	23	-	-	-	27	-	-	-	-	-	-	-	-		
									-	32	-	-	-	-	37	-	-	-	-	-	43	44	45	-	-	-	-	-		
									-	-	48	49	-	51	52	-	-	55	56	-	58	59	60	-	87	88	89	-		
									61	62	63	64	65	-	67	68	-	70	71	72	73	74	75	-	92	93	94	-		