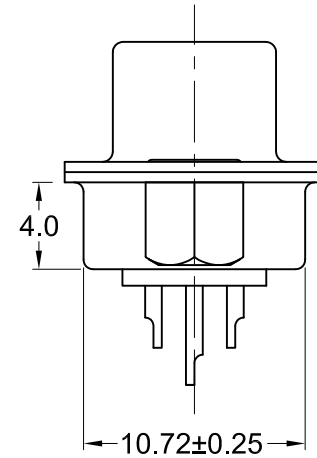
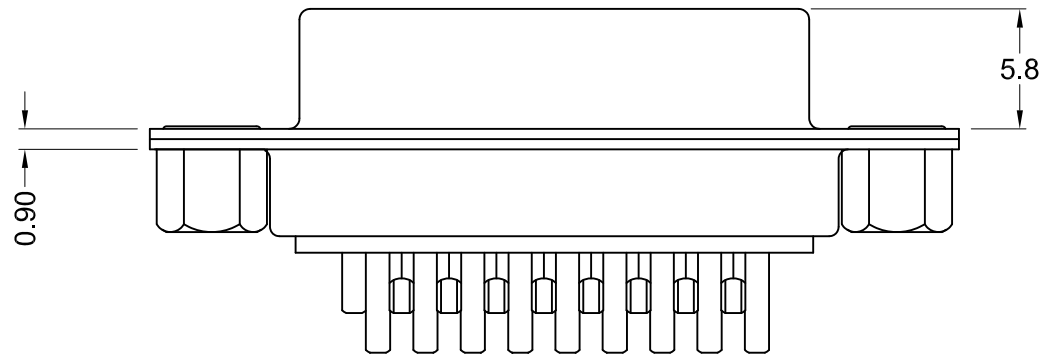


(2) #4-40 UNC
Threaded Insert



Material and Finish

Shell: Steel, Nickel plated
 Insulator: PBT thermoplastic with glass-fiber reinforcement, UL94V-0 rated
 Color: Black
 Contact Material:
 Socket - Brass
 Contact Plating Options:
 Standard: gold flash on mating end, tin on termination end, nickel underplate on entire contact
 15 Option: 15u" gold on mating end, tin on termination end, nickel underplate on entire contact
 30 Option: 30u" gold on mating end, tin on termination end, nickel underplate on entire contact

Electrical Specifications

Rated Current: 1.5A
 Rated Voltage: 30Vac
 Insulation Resistance: more than 1000 megohms at 500V DC
 Contact Resistance: 13 milliohms max.
 Dielectric Withstanding Voltage: 1000V for 1 minute
 Operating Temperature: -55°C to +75°C

Part Number	Contact Area Plating Finish
K86X-AA-26S-K	Gold Flash (standard)
K86X-AA-26S-K15	15u" Gold (15 option)
K86X-AA-26S-K30	30u" Gold (30 option)

Tolerances
X.X ± 0.25
X.XX ± 0.15
Unless Stated Otherwise



REV.	DATE	DESCRIPTION	REV. BY	CHK. BY	DRAWN BY	DATE
A1	07/26/06	New Drawing	R. Aguirre	H. MA	R. Aguirre	07/25/06
A2	1/16/08	ECO# 07-052	WILL H.	H. MA		
A3	8/27/14	ECO# 14-028	H. MA	P. DalCanto		
A4	12/31/17	ECO# 17-033	G. Serrato	C. Furumasu		

K86X-AA-26S-K

High Density Vertical Mount D-Sub, RoHS Compliant
 26 pin socket, precision formed solder cups w/ Threaded Bushings

