

MVB.L Vertical toggle clamps, long life series

with straight base, steel



MATERIAL

Black-oxide steel.

ROTATING PINS

Hardened, black-oxide and ground steel.

SUPPORT BUSHING

Hardened, black-oxide and ground steel.

ADJUSTING SCREW AND NUT

Zinc-plated steel.

HANDLE

Polyurethane, red colour.

STANDARD EXECUTIONS

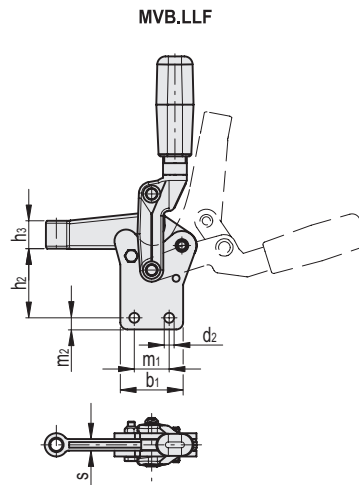
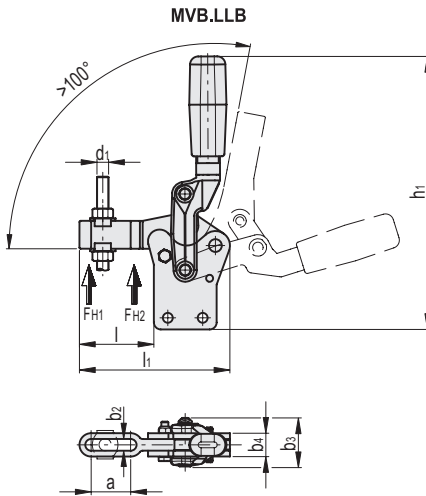
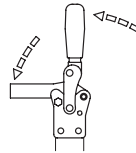
- **MVB.LLB**: with open clamping lever and two folded washers.
- **MVB.LLF**: with solid clamping lever.

CLAMPING BOLTS

To be ordered separately.

FEATURES AND APPLICATIONS

All articulated joints are lubricated with special grease. During clamping, the lever is controlled to prevent impact on functioning due to side thrust. High-quality materials make Long Life series toggle clamps suitable for medium to heavy loads on welding jigs, carpentry works, moulds and in general whenever high clamping torque and repetitive movements are required. Certified for 1.000.000 cycles.



MVB.LLB

METRIC

| Code | Description | a | b1 | b2 | b3 | b4 | d1 | d2 | h1 | h2 | h3 | l | l1 | l2 | m1 | m2 | FH1 [N]* | FH2 [N]* | ⚖️ |
|----------|-------------|----|----|----|------|----|-----|-----|-----|------|----|----|-------|----|----|----|----------|----------|------|
| GG.AA605 | MVB.LLB01 | 32 | 36 | 6 | 29 | 13 | M6 | 6.5 | 152 | 37.5 | 16 | 49 | 91 | 51 | 20 | 8 | 2200 | 2800 | 330 |
| GG.AA635 | MVB.LLB02 | 34 | 54 | 10 | 42.5 | 20 | M10 | 8.5 | 235 | 59.5 | 24 | 64 | 129.5 | 66 | 30 | 10 | 4400 | 8200 | 1200 |

MVB.LLF

METRIC

| Code | Description | b1 | b3 | b4 | d1 | d2 | h1 | h2 | h3 | l | l1 | m1 | m2 | s | FH1 [N]* | FH2 [N]* | ⚖️ |
|----------|-------------|----|------|----|-----|------|-----|------|----|----|-------|----|----|----|----------|----------|------|
| GG.AA615 | MVB.LLF01 | 36 | 29 | 13 | M6 | 6.5 | 152 | 37.5 | 16 | 44 | 86 | 20 | 8 | 6 | 2200 | 2800 | 325 |
| GG.AA645 | MVB.LLF02 | 54 | 42.5 | 20 | M10 | 8.5 | 235 | 59.5 | 24 | 64 | 129.5 | 30 | 10 | 10 | 4400 | 8200 | 1200 |
| GG.AA665 | MVB.LLF03 | 75 | 52 | 24 | M12 | 10.5 | 301 | 78 | 30 | 74 | 161 | 55 | 10 | 12 | 8500 | - | 2200 |
| GG.AA685 | MVB.LLF04 | 90 | 68 | 32 | M16 | 12.5 | 360 | 88.5 | 35 | 96 | 203 | 65 | 12 | 16 | 15400 | - | 4470 |

* Holding force.



Models all rights reserved in accordance with the law. Always mention the source when reproducing our drawings and photos.

