

6

5

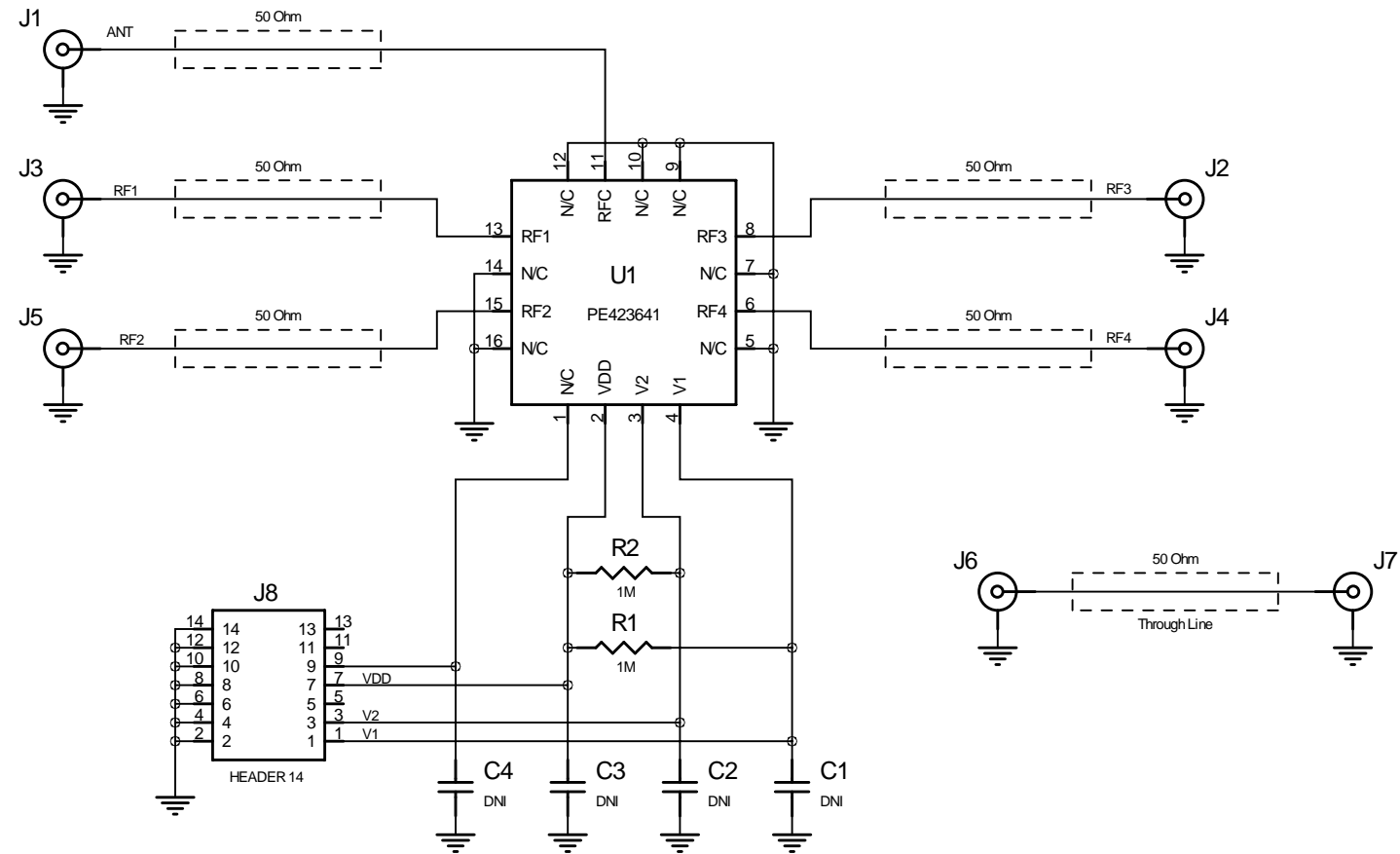
4

3

2

1

REVISION RECORD			
LTR	ECO NO:	APPROVED:	DATE:



**NOTES:**  
 1. CAUTION:  
 CONTAINS PARTS AND ASSEMBLIES SUSCEPTIBLE  
 TO DAMAGE BY ELECTROSTATIC DISCHARGE (ESD)

COMPANY: PEREGRINE SEMICONDUCTOR			
TITLE: SCHEMATIC, PE423641 EVALUATION BOARD			
CODE: 5BMR7	SIZE: B	DRAWING NO: DOC-12427	REV: 01
SCALE:		SHEET: 1 OF 1	

DRAWN: R. PROAL	DATED: 11-18-13
CHECKED: J. LU	DATED: 11-18-13
QUALITY CONTROL:	DATED:
RELEASED:	DATED:

D  
C  
B  
A

D  
C  
B  
A

Item	Qty	Reference	Description	Value	Manufacturer	Manufacturer Part Number	Distributor	Distributor Part Number	Notes
1	4	C1-4	CAP 0603 DNI	DNI					DNI
2	1	J8	CONN HEADER .100 DUAL STR 72POS		Sullins Electronics Corp.	PZC36DABN	Digi-Key	S2021-36-ND	Cut to 14 Pin Header .100
3	1	U1	IC, PE423641		Peregrine Semiconductor	PE423641			
4	2	R1-2	SMD Thick Film Chip Resistor, 1M Ohm, 1/16W, ±5%, RoHs, 0603	1M	Xicon	301-1.0M-RC	Mouser Electronics	301-1.0M-RC	
5	7	J1-7	CONN SMA JACK 50 OHM EDGE MNT		Emerson Johnson	142-0701-801	Digi-Key	J502-ND	
6	1		PCB, 3X3 QFN SP4T EVK		Peregrine Semiconductor	PRT-50900			LEGACY 101-0287-03