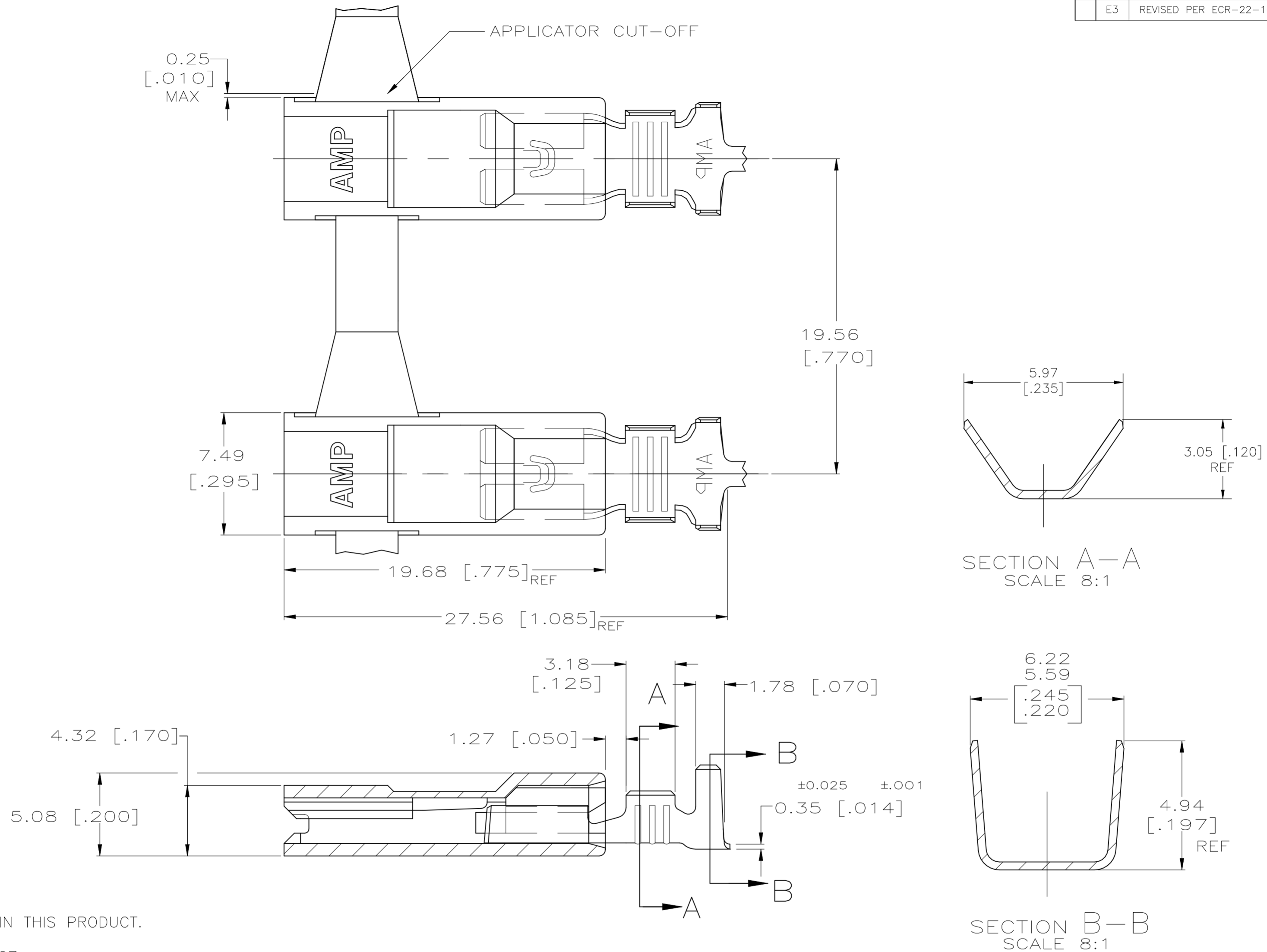


REVISIONS				
P	LTR	DESCRIPTION	DATE	APVD
E3		REVISED PER ECR-22-160893	14DEC2022	DB BW



- 1 FASTON TERMINALS, BASE P/N 1742110, ARE USED IN THIS PRODUCT.
- 2 TIN PLATE PER MIL-T-10727
- 3 MATING TAB THK TO BE 0.51±0.025 [.020±.001]
- 4 WIRE SIZE IS [#18-#16 OR TWO #18'S] AWG.
- 5 INSULATION RANGE IS 2.67-5.33 OR TWO AT 2.67 MAX, [.105-.210 OR TWO AT .105 MAX].

6/6 NYLON, V-2 NAT	BRASS TIN PL. 2	521293-2
<b>SUPERSEDED</b> 6/6 NYLON, V-2 NAT	BRASS PLANE	521293-1
HOUSING MATERIAL & COLOR	TERMINAL MATERIAL & FINISH	PART NO.

THIS DRAWING IS A CONTROLLED DOCUMENT.		DWN JR RUTH 31MAR00	TE Connectivity	
DIMENSIONS: mm [INCHES]		CHK MS FEHER 31MAR00	ASSEMBLY, RECEPTACLE, ULTRA-POD, 4.8 [.187] SERIES	
TOLERANCES UNLESS OTHERWISE SPECIFIED:		APVD N DEIBERT 31MAR00	PRODUCT SPEC 108-1285	RESTRICTED TO
0 PLC ± -		APPLICATION SPEC 114-2124	SIZE A2	WEIGHT 0.000000
1 PLC ± -		114-2124	CAGE CODE 00779	DRAWING NO C=521293
2 PLC ± -		WEIGHT 0.000000	SCALE 5:1	SHEET 1 OF 1
3 PLC ± 0.25 [.010]		CUSTOMER DRAWING	REV E3	
4 PLC ± -				
ANGLES ± -				
FINISH SEE TABLE				