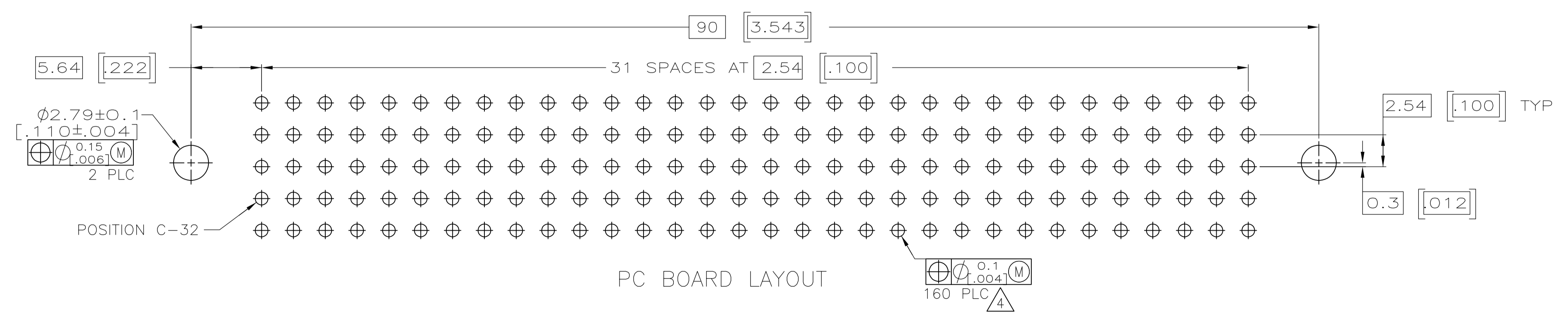
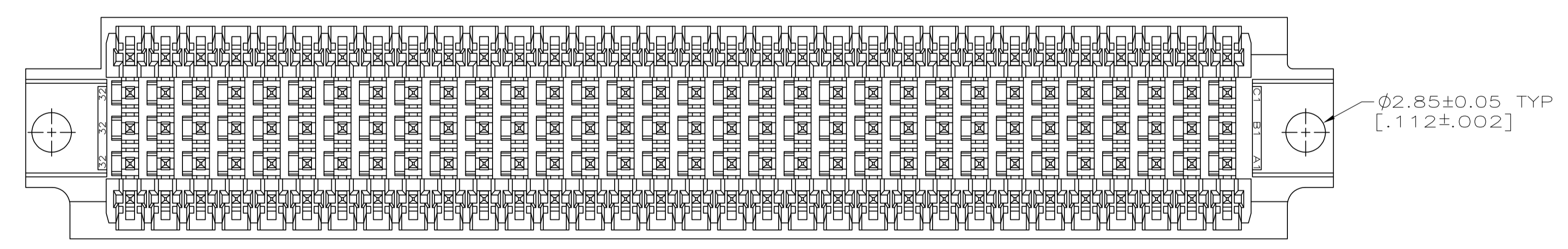
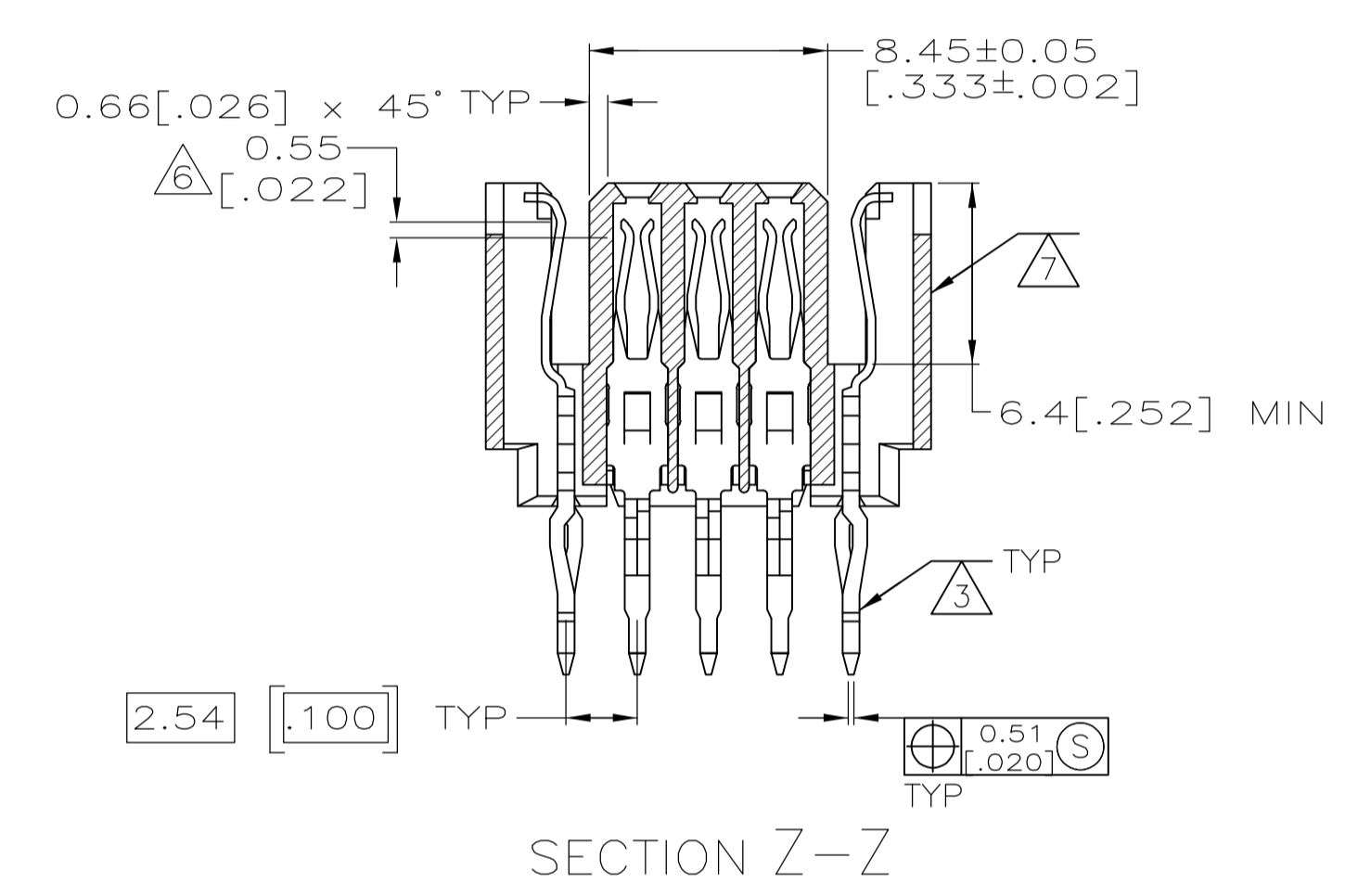
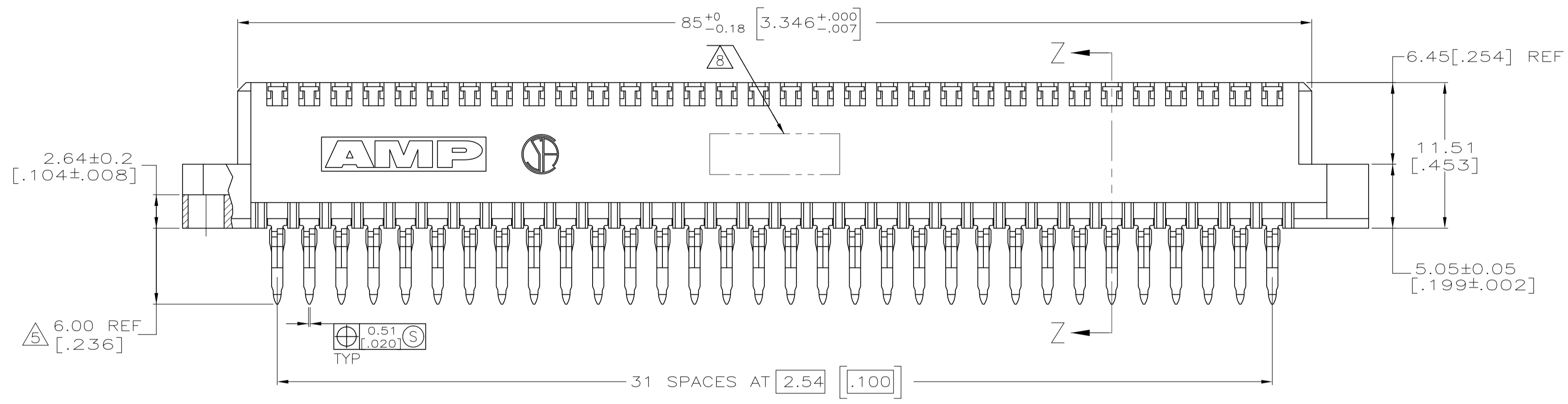
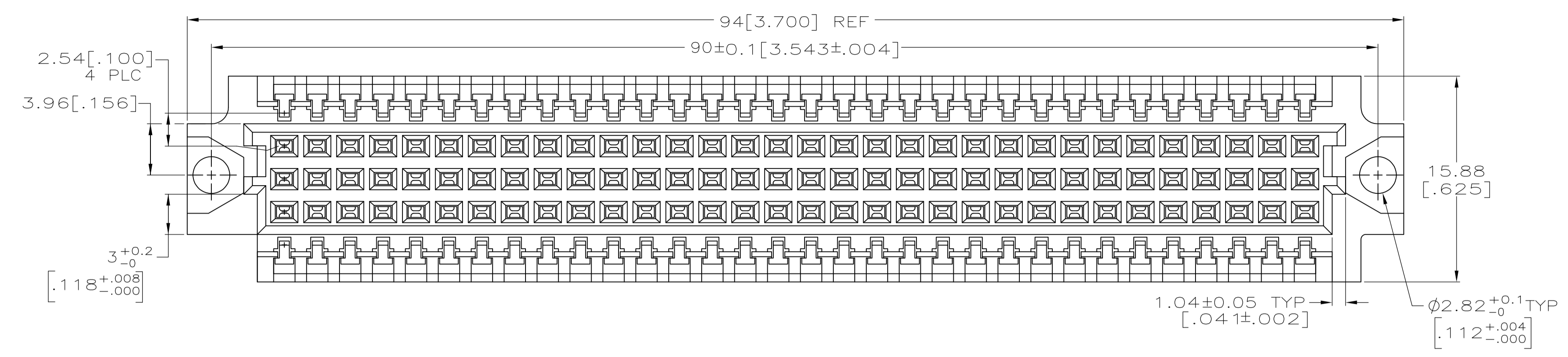


- 1 HOUSING MATERIAL: GLASS-FILLED POLYMER.
- 2 CONTACT MATERIAL: COPPER ALLOY.
- 3 CONTACT FINISH: DIN 41612 CLASS 2 IN CONTACT AREA TIN ON TAILS.
- 4 ACTION PIN POSTS REQUIRE 1.57[.062] MINIMUM THICK PC BOARD. RECOMMENDED PC BOARD DRILLED HOLES ARE  $\phi 1.15 \pm 0.025$  [.0453  $\pm$  .0010] WITH 0.02-0.08 [.001-.003] COPPER AND 0.008 [.0003] MINIMUM TIN PLATING. FINISHED HOLE AFTER PLATING IS  $\phi 1.02 \pm 0.08$  [.040  $\pm$  .003].
- 5 TAIL LENGTH AFTER SEATED IN PC BOARD.
- 6 CONTACT POINT AFTER SEATED IN PC BOARD.
- 7 MARKING ON THIS SIDE.
- 8 PART NUMBER AND DATE CODE IN THIS APPROXIMATE AREA.



5148452-5  
PART NUMBER

THIS DRAWING IS A CONTROLLED DOCUMENT.		DIN J. POLIGNONE 14APROD	TE Connectivity
DIMENSIONS: mm [INCHES]		CHK A. SHARPE 14APROD	
TOLERANCES UNLESS OTHERWISE SPECIFIED:		APVD A. SHARPE 14APROD	NAME ASSEMBLY, RECEPTACLE, ENHANCED, TYPE C, EUROCARD, 5-ROW, PRESS-FIT, 6.00[.236]
0 PLC $\pm$ -	1 PLC $\pm$ -	2 PLC $\pm$ 0.13[.005]	APPLICATION SPEC
3 PLC $\pm$ -	4 PLC $\pm$ -	ANGLES $\pm$ -	SIZE A1
MATERIAL 1 2 3		FINISH 3	WEIGHT -
CUSTOMER DRAWING		SCALE 4:1	SHEET 1 OF 1
REV B		DRAWING NO. 00779	
5148452		RESTRICTED TO	