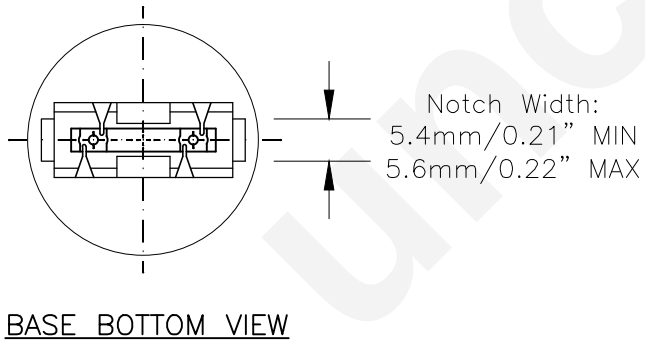
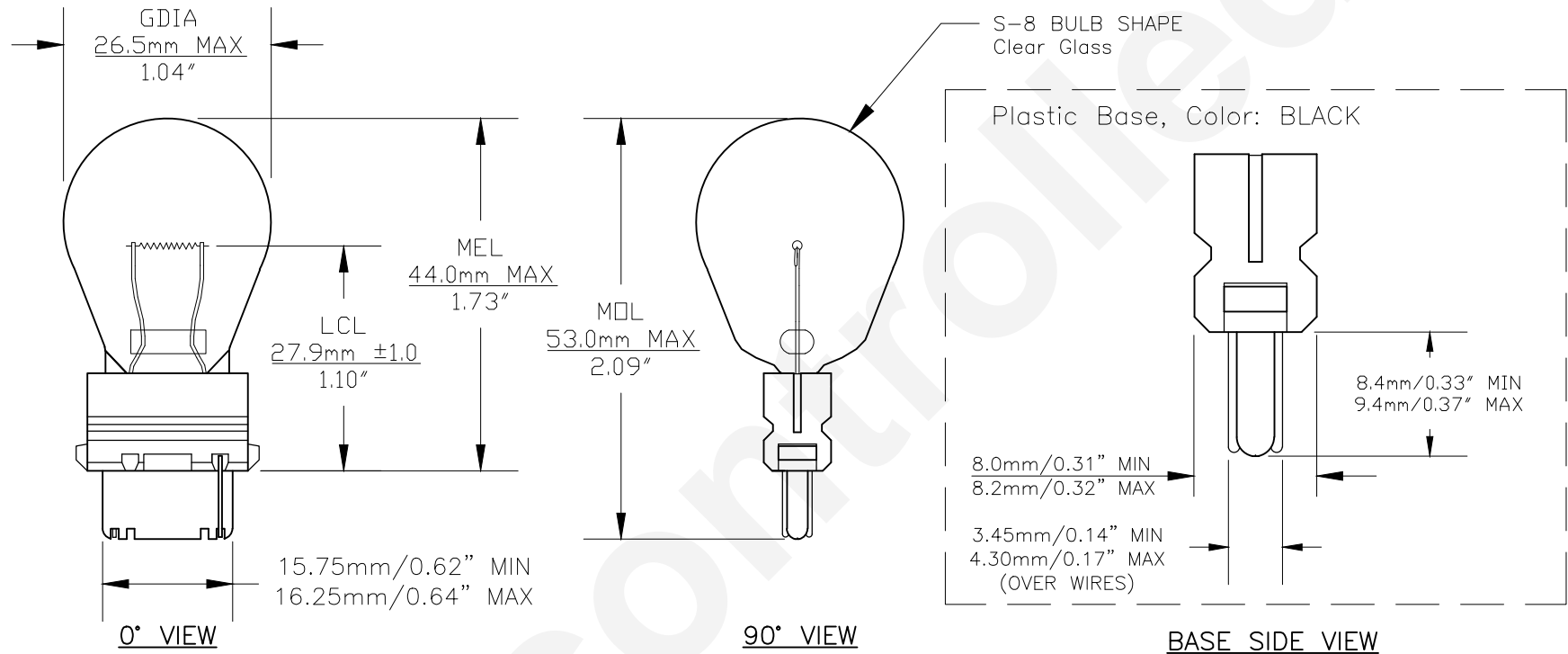




PART NO.	BASE TYPE	DESIGN VOLTS	DESIGN AMPS	MSCD	FILAMENT TYPE	AVERAGE LIFE HOURS	REVISIONS			
							REV #	DESCRIPTION	DATE	APPROVED
3155	S.F. Plastic Wedge W2.5X16d	12.8V	1.60±8%	21±10%	C-6	1500	1	REDRAWN	04/06/2007	D.C.
							2	REDRAWN FOR ADDITIONAL VIEW	10/21/2014	R.M.



Note: Made according to SAE specifications



UNLESS OTHERWISE SPECIFIED: DIMENSIONS ARE IN INCHES TOLERANCES		CEC INDUSTRIES LTD	
DECIMALS	ANGULAR	599 BOND STREET LINCOLNSHIRE, IL 60069	
.XX ± .05	± 0.5°		
.XXX ± .010			
FRACTIONAL	±1/64		
DRAWN ELIZABETH SONANES	DATE 04/16/2001	TITLE LIGHT BULB NO. 3155	
CHECKED		SIZE A	REV 2
DESIGN	SCALE	FSCM NO.	DWG NO. 3155
MATERIAL	FILE 3155.pdf	PLOT SCALE	SHEET 1 OF 1
		DRAWING NOT TO SCALE	