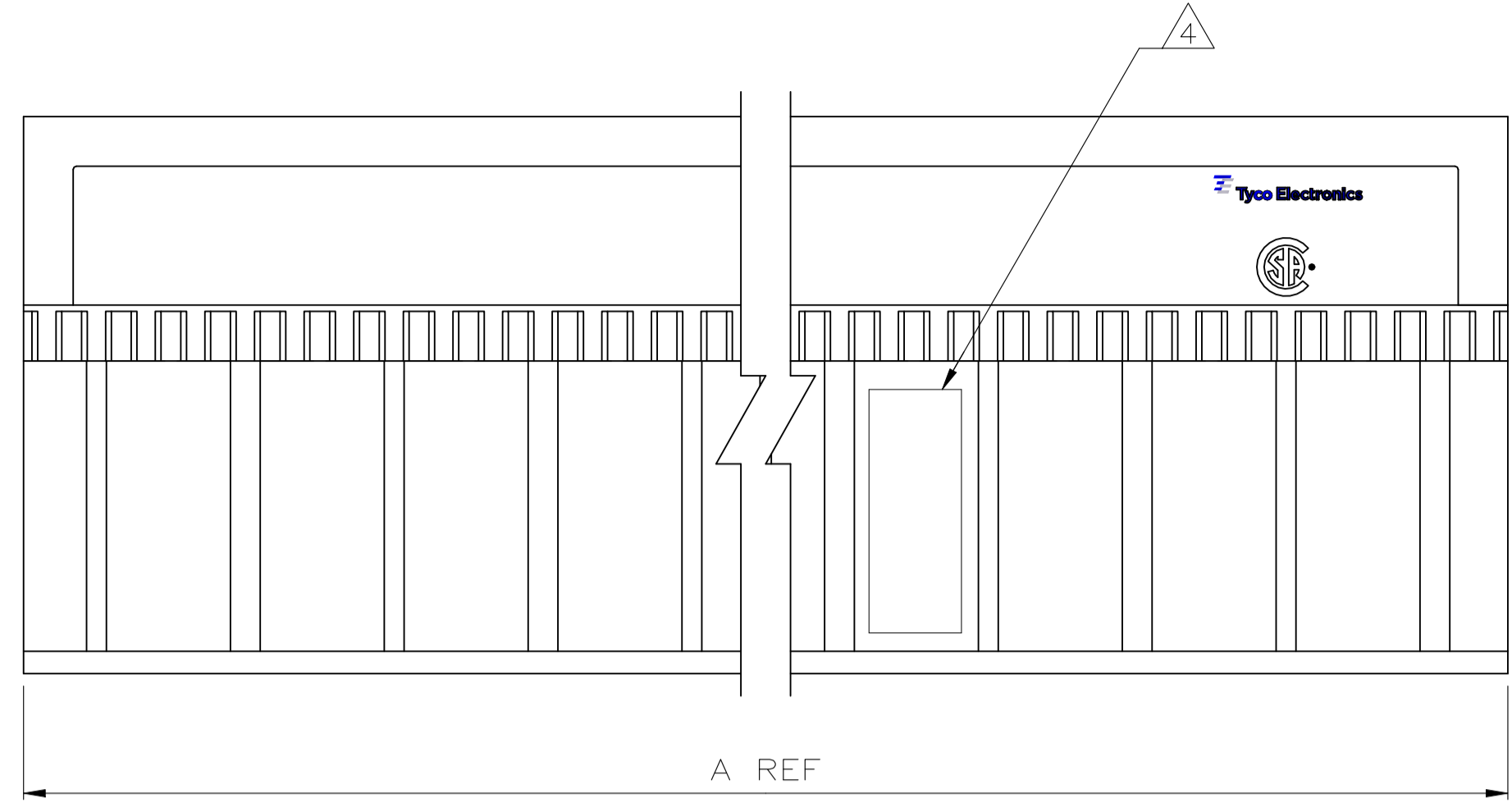
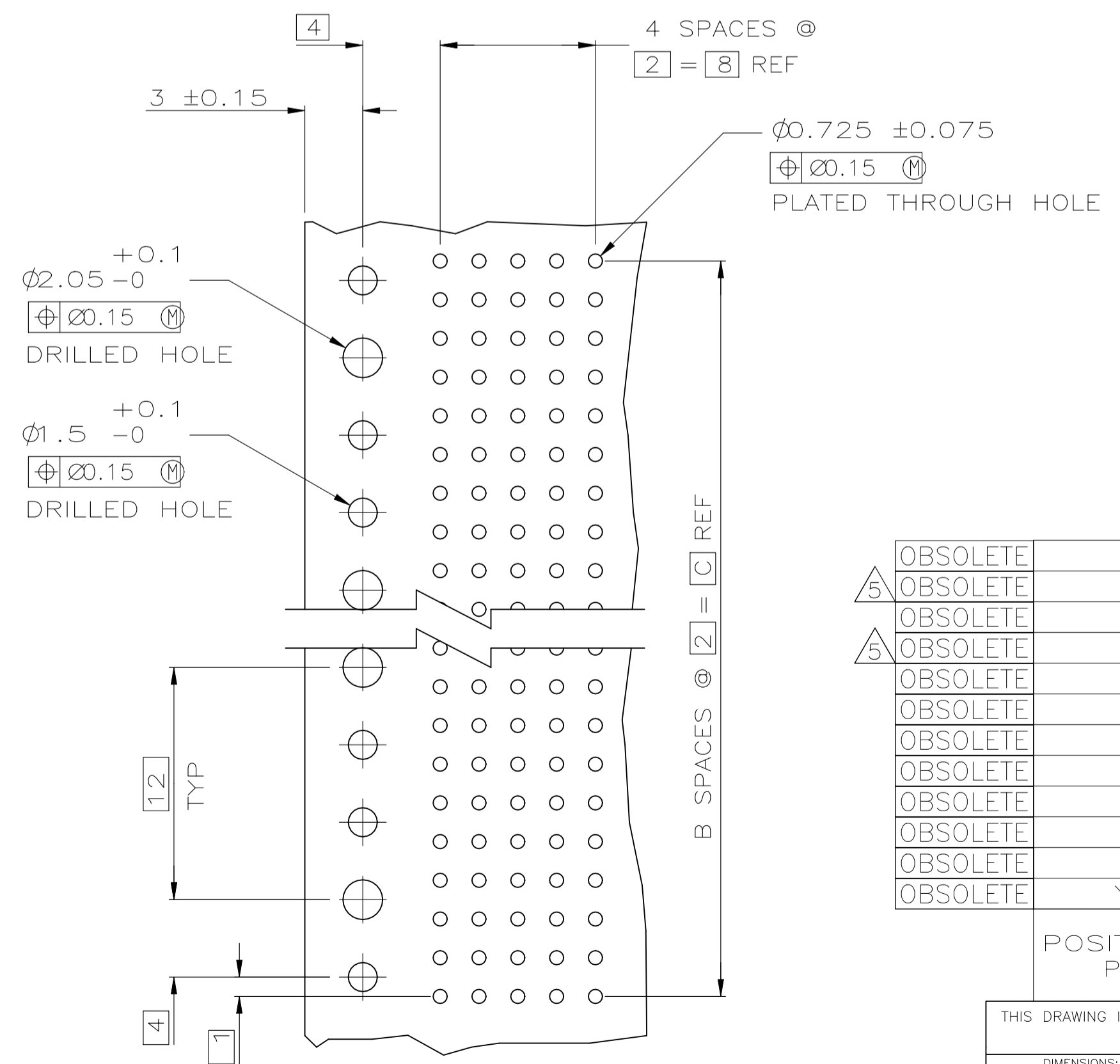
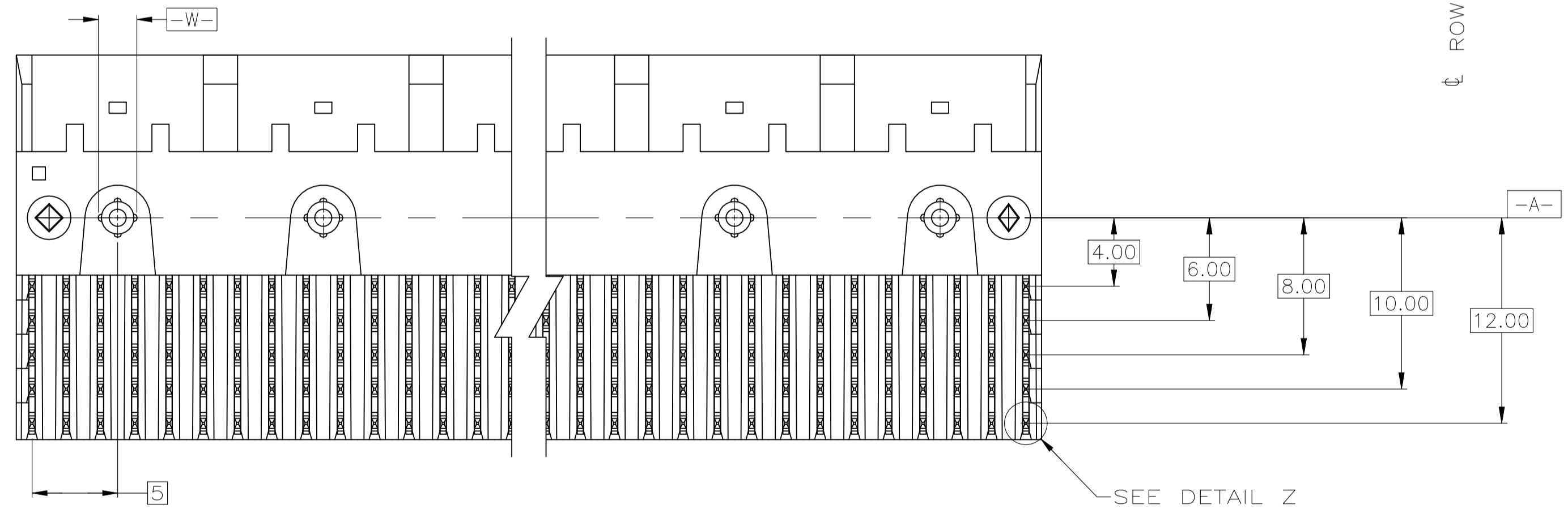
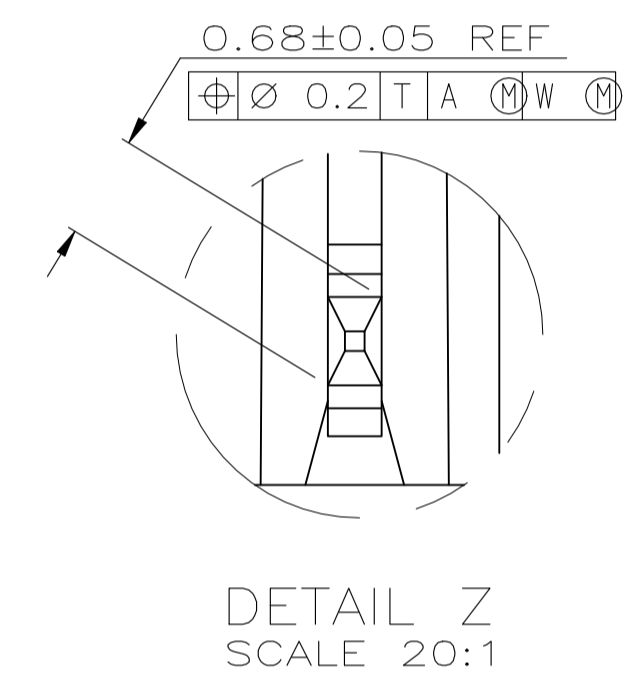
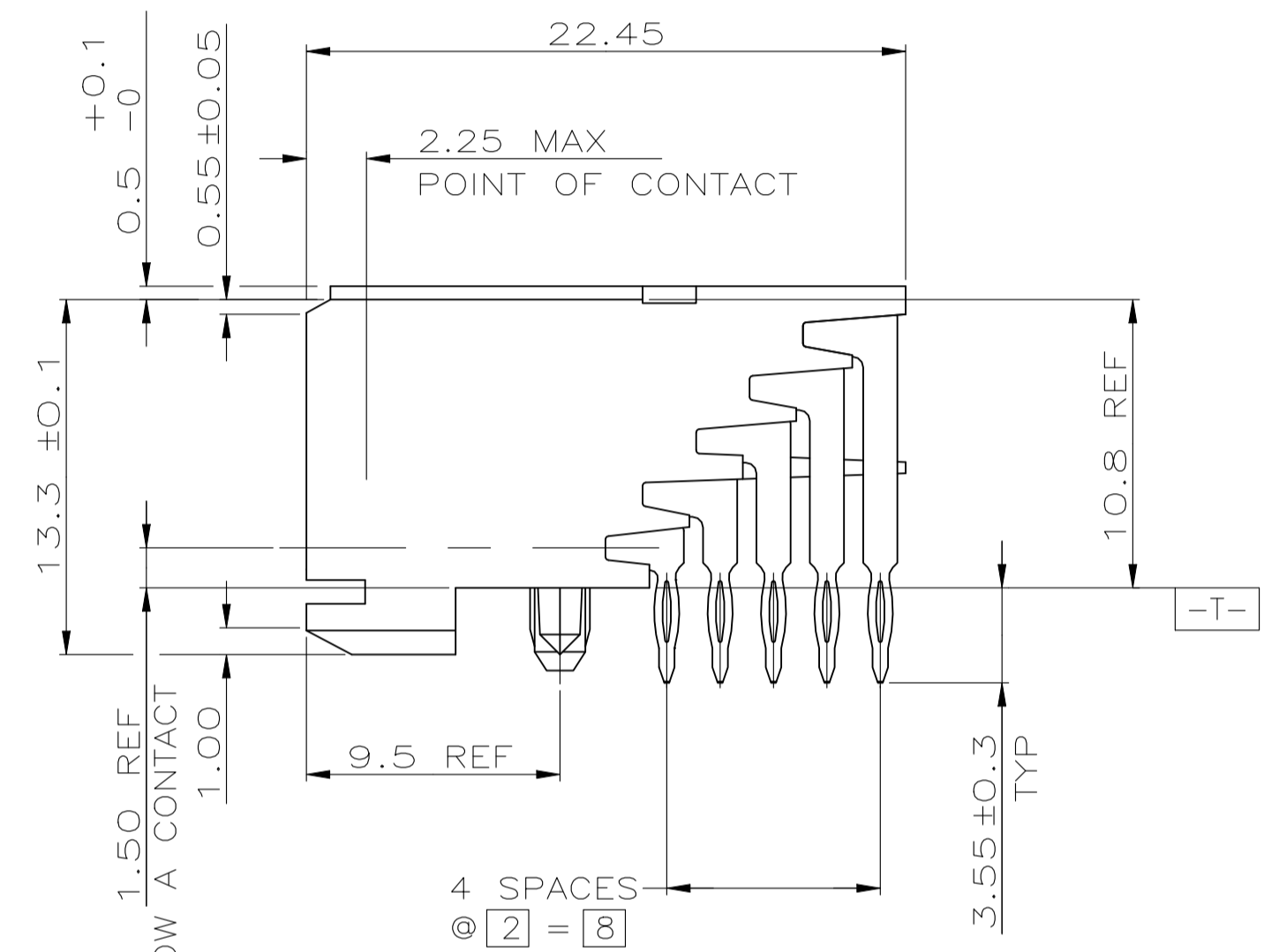
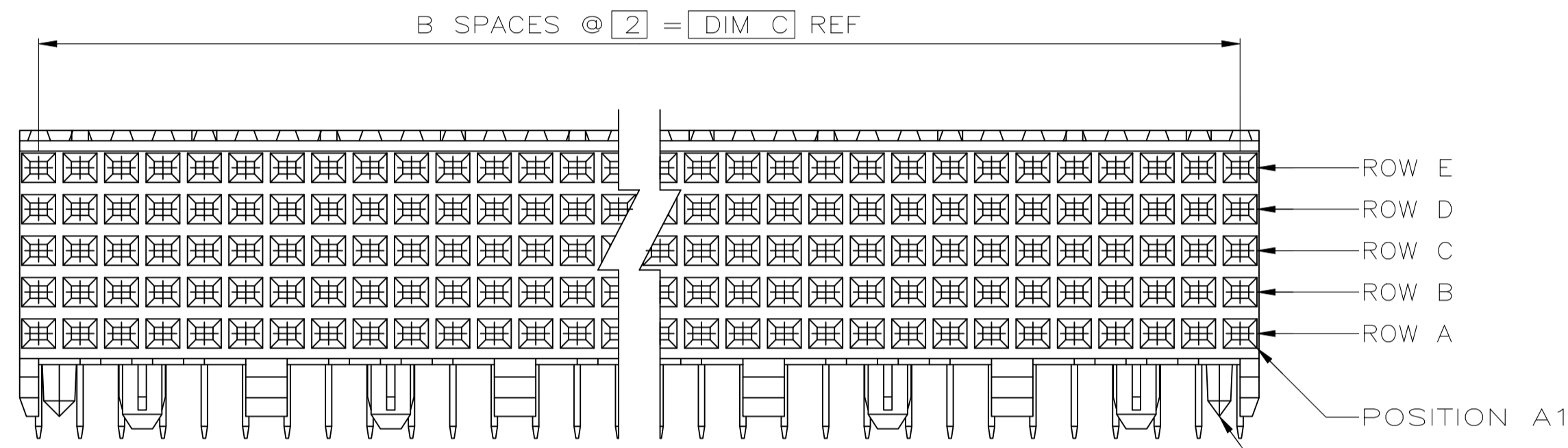


REVISIONS					
P	LTR	DESCRIPTION	DATE	DN	APPO
R1		REVISED PER ECN-22-165681	21JUL2022	NV	HL



- ① HOUSING MATERIAL: LIQUID CRYSTAL POLYMER
COLOR: NATURAL.
- ② CONTACT MATERIAL: PHOSPHOR-BRONZE.
- ③ CONTACT FINISH:
UNDERPLATE (ENTIRE CONTACT):
0.00127 MIN NICKEL.
ON MATING SURFACES:
CONFORMS TO ALL TESTING SPECIFIED FOR TELCORDIA
UNCONTROLLED ENVIRONMENT.
ON LEADS
0.0006 MIN TIN-LEAD OVER UNDERPLATE.
LUBRICATION (ENTIRE CONTACT):
SURFACE CONDITIONER PER AMP SPEC 112-1002 AFTER PLATING.
- ④ PART MARKING LOCATED APPROXIMATELY AS SHOWN.
- ⑤ OBSOLETE PARTS: OBSOLETE CIS STREAMLINING PER D.RENAUD/D.SINISI



⑤	OBSOLETE	NO	214	107	215.88	③	540	1-223008-2
⑤	OBSOLETE	NO	130	65	131.88	③	330	1-223008-4
⑤	OBSOLETE	NO	118	59	119.88	③	300	1-223008-0
⑤	OBSOLETE	NO	106	53	107.88	③	270	223008-9
⑤	OBSOLETE	NO	94	47	95.88	③	240	223008-8
⑤	OBSOLETE	NO	82	41	83.88	③	210	223008-7
⑤	OBSOLETE	NO	70	35	71.88	③	180	223008-6
⑤	OBSOLETE	NO	58	29	59.88	③	150	223008-5
⑤	OBSOLETE	NO	46	23	47.88	③	120	223008-4
⑤	OBSOLETE	NO	34	17	35.88	③	90	223008-3
⑤	OBSOLETE	NO	22	11	23.88	③	60	223008-2
⑤	OBSOLETE	YES	10	5	11.88	③	30	223008-1

POSITIONING PEGS	C	B	A	FINISH	NO OF SIGNAL POSN	PART NUMBER
THIS DRAWING IS A CONTROLLED DOCUMENT.						
DIMENSIONS: mm		TOLERANCES UNLESS OTHERWISE SPECIFIED:		APPROVED: D. SINISI 08/FEB/96		
0. PLC ± -		1. PLC ± -		NAME: ASSEMBLY, RECEPTACLE, SIGNAL, RIGHT ANGLE, Z-PACK 2mm FB, 5 ROW, PRESS FIT LEAD		
2. PLC ± 0.13		3. PLC ± -		APPLICATION SPEC: -		
4. PLC ± -		ANGLES ± -		SIZE: A1		
MATERIAL: ① ②		FINISH: ③		WEIGHT: 0.000000		
CUSTOMER DRAWING		SCALE: 4:1		SHEET: 1 of 1		

RECOMMENDED CIRCUIT PATTERN
PER IPC-D300 TYPE II, CLASS C
(COMPONENT SIDE)