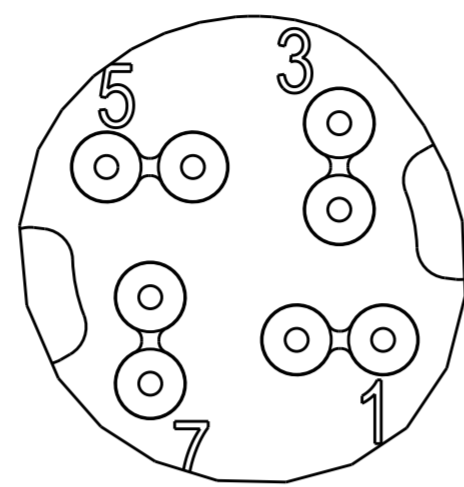


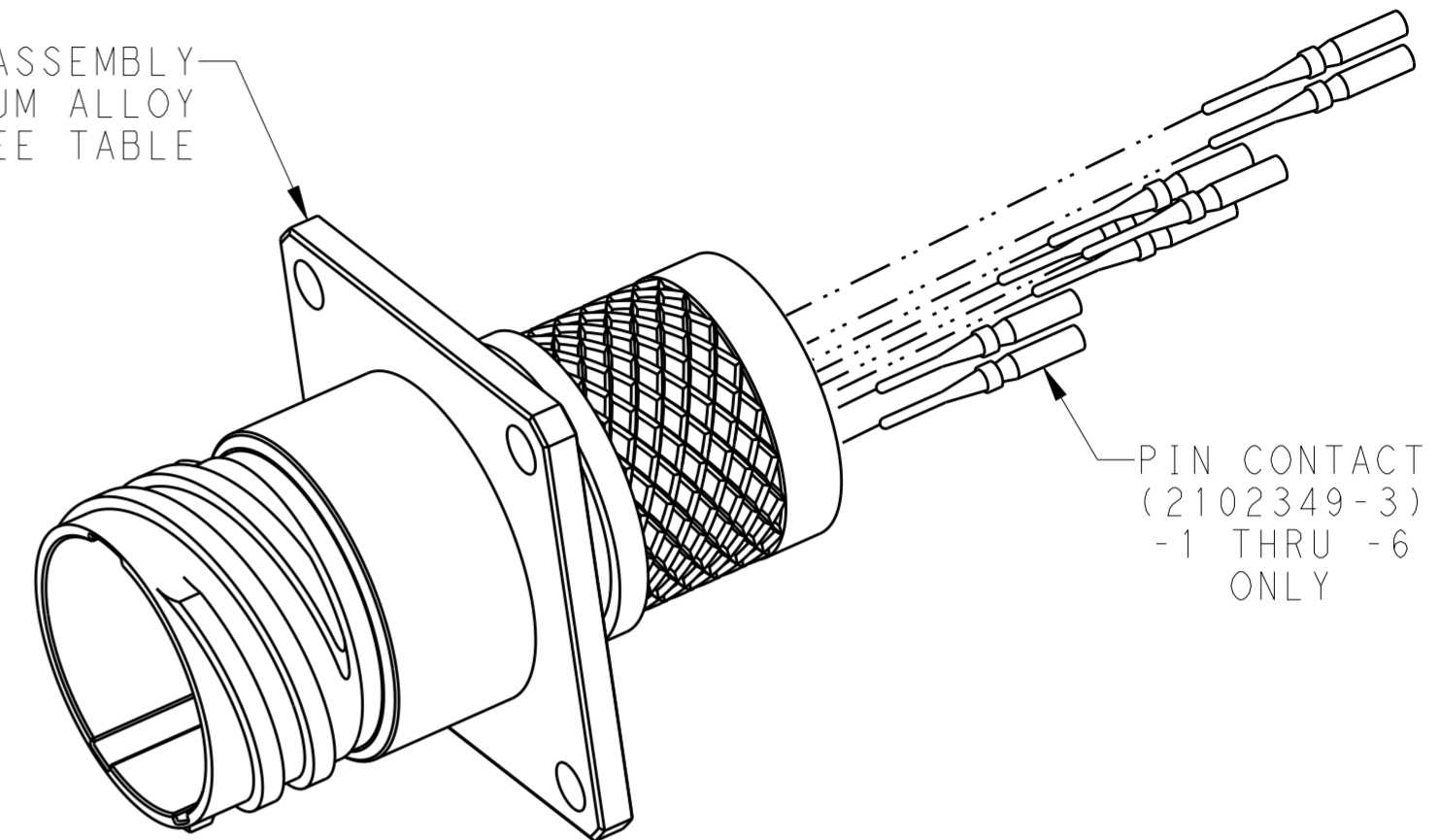
P	LTR	DESCRIPTION	DATE	DWN	APVD
E		REV PER ECO 20-012260	9-2-20	CT	DM

KEY OPTION	KEY ROTATION	
	"R"	"S"
NORMAL	150°	210°
A	140°	215°
B	132°	248°

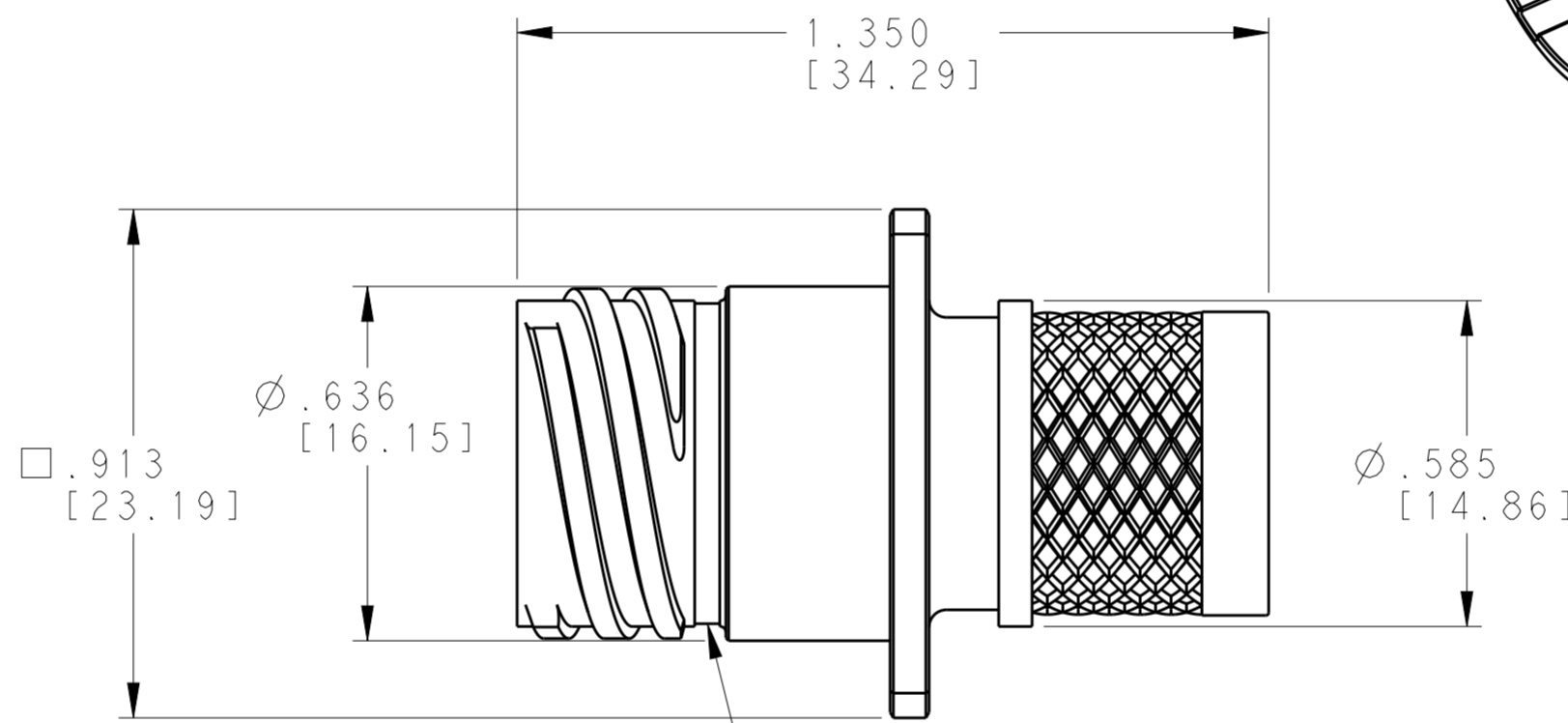
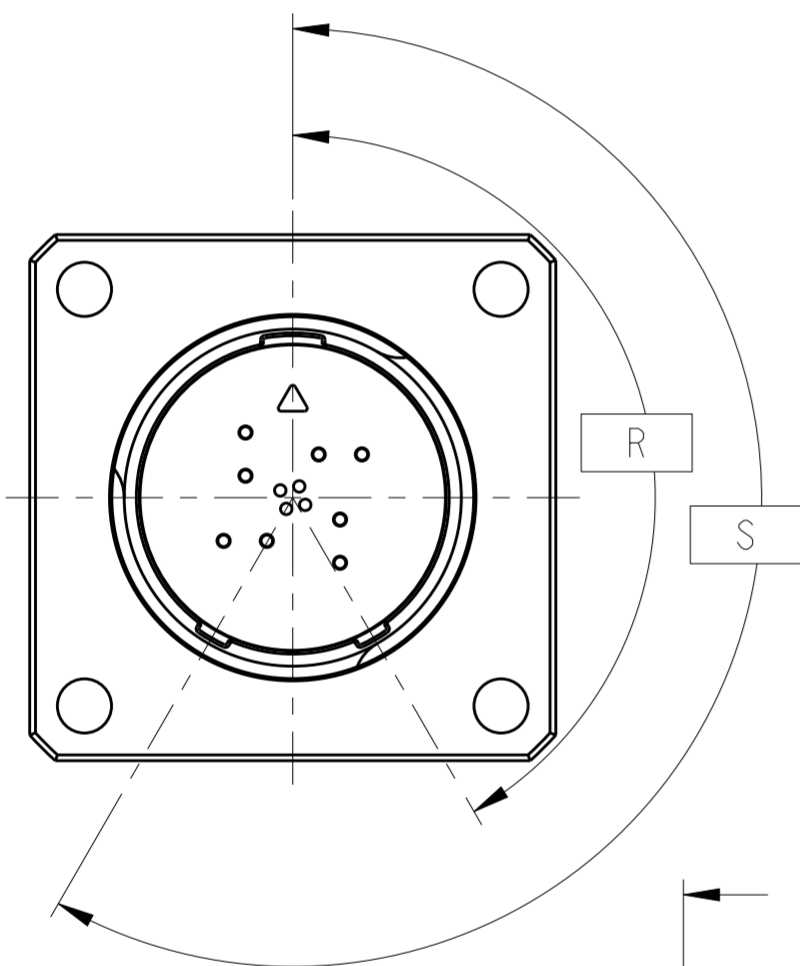


DETAIL A  
SCALE 6:1

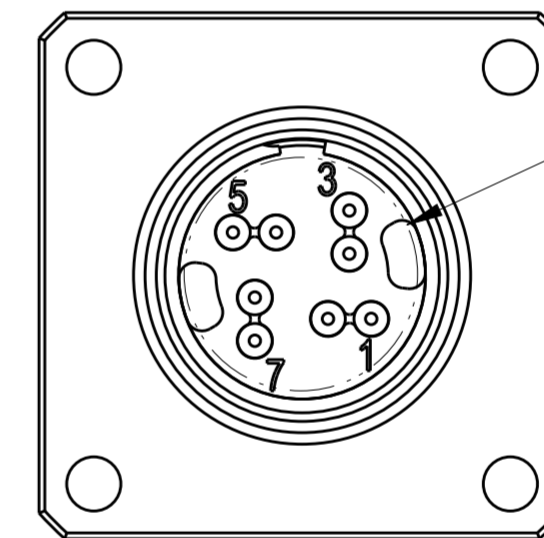
RECEPTACLE ASSEMBLY  
SHELL MAT'L: ALUMINUM ALLOY  
FINISH: SEE TABLE



PIN CONTACT  
(2102349-3)  
-1 THRU -6  
ONLY

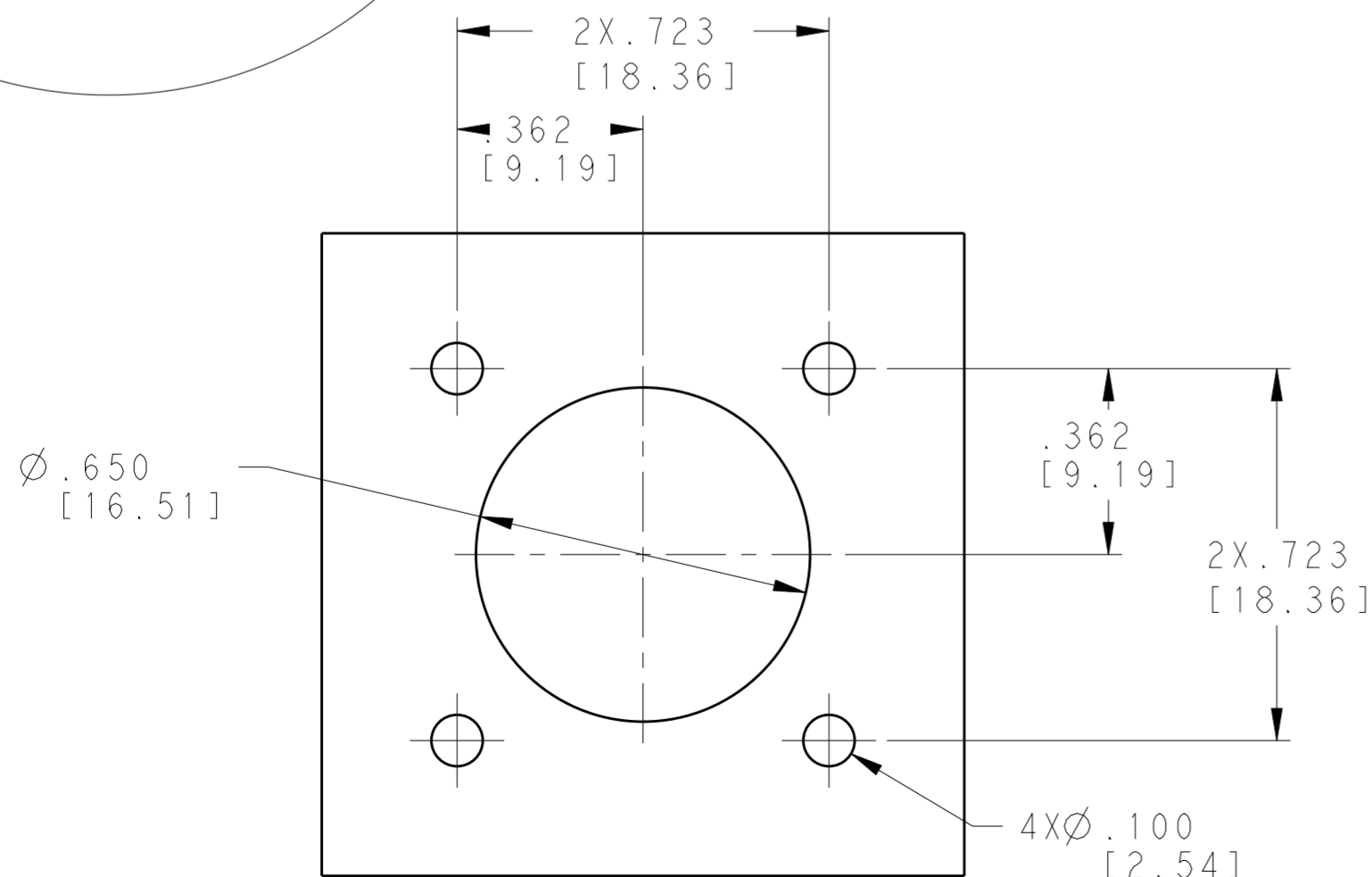


RED FULL MATE INDICATOR



SEE DETAIL A

"TE" AND DATE CODE  
ON 1 OF 4 SIDES  
TE PN ON ADJACENT FLAT



---	NORMAL	BLACK ZINC NICKEL PLATE	2102343-8
---	NORMAL	NICKEL PLATE	2102343-7
10	B	BLACK ZINC NICKEL PLATE	2102343-6
10	B	NICKEL PLATE	2102343-5
10	A	BLACK ZINC NICKEL PLATE	2102343-4
10	A	NICKEL PLATE	2102343-3
10	NORMAL	BLACK ZINC NICKEL PLATE	2102343-2
10	NORMAL	NICKEL PLATE	2102343-1
PIN CONTACT QTY 50um GOLD PLATE	KEYING OPTION	FINISH	PART NUMBER

THIS DRAWING IS A CONTROLLED DOCUMENT. DIMENSIONING AND TOLERANCING PER ASME Y14.5M (ISO STANDARDS)		DWN MCKIBBEN, JOHN CHK DOWHOWER, KENNETH APVD DOWHOWER, KENNETH		
DIMENSIONS: INCHES [mm]		PRODUCT SPEC 108-2482		NAME RECEPTACLE ASSEMBLY KIT
TOLERANCES UNLESS OTHERWISE SPECIFIED: 0 PLC ± 1 PLC ± 2 PLC ± 3 PLC ±.005 [0.13] 4 PLC ± ANGLES ± FINISH SEE TABLE		APPLICATION SPEC 114-32025		RESTRICTED TO
MATERIAL		WEIGHT	SIZE A200779	DRAWING NO. C-2102343
CUSTOMER DRAWING		SCALE 3:1	SHEET 1 OF 1	REV E