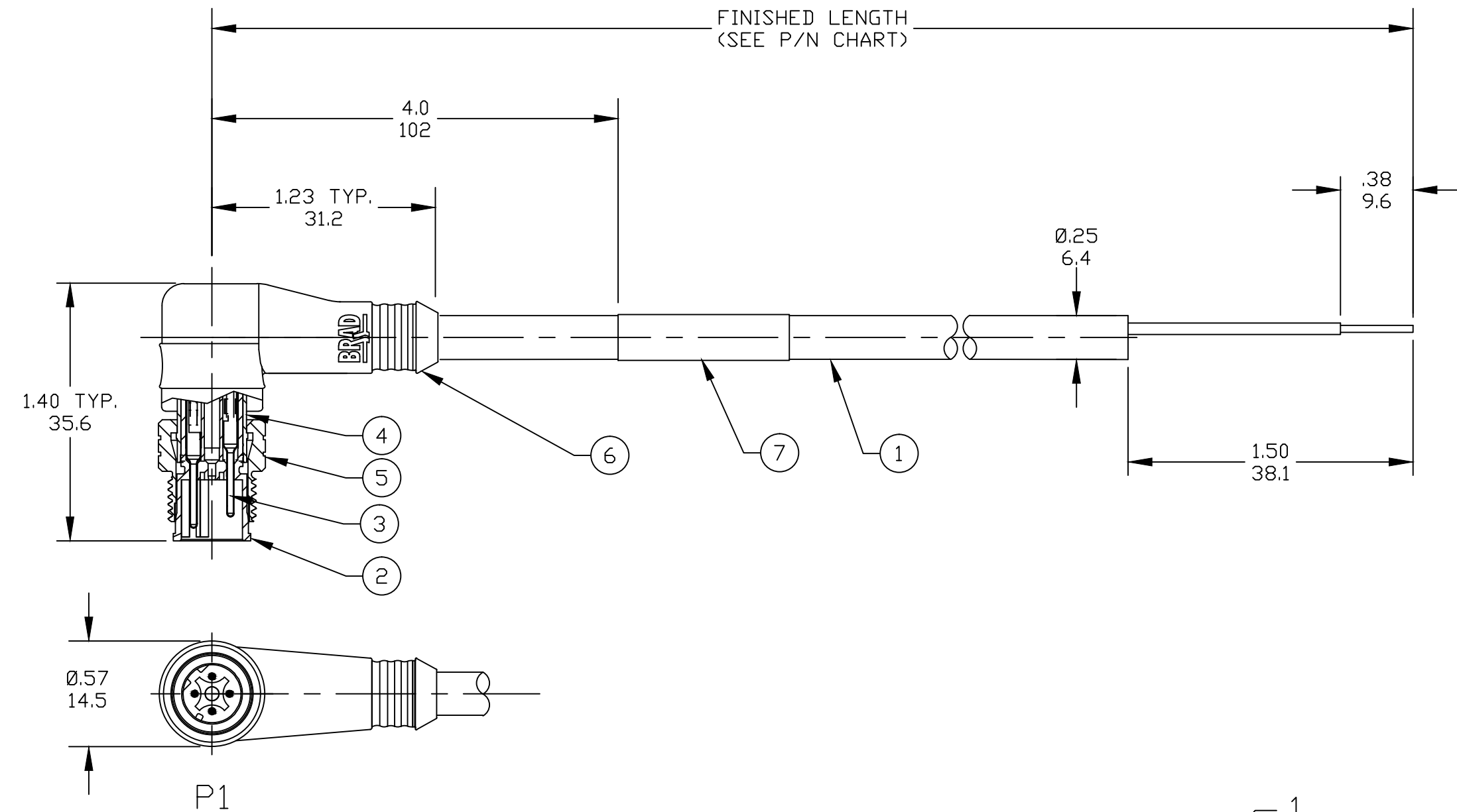


PART NO.	ENGINEERING NO.	FINISHED LENGTH
1201080187	E10A00705M010	1.0M [3'3"]
1201080507	E10A00705M100	10.0M [32'10"]
1201080624	E10A00705M250	25.0M [82']

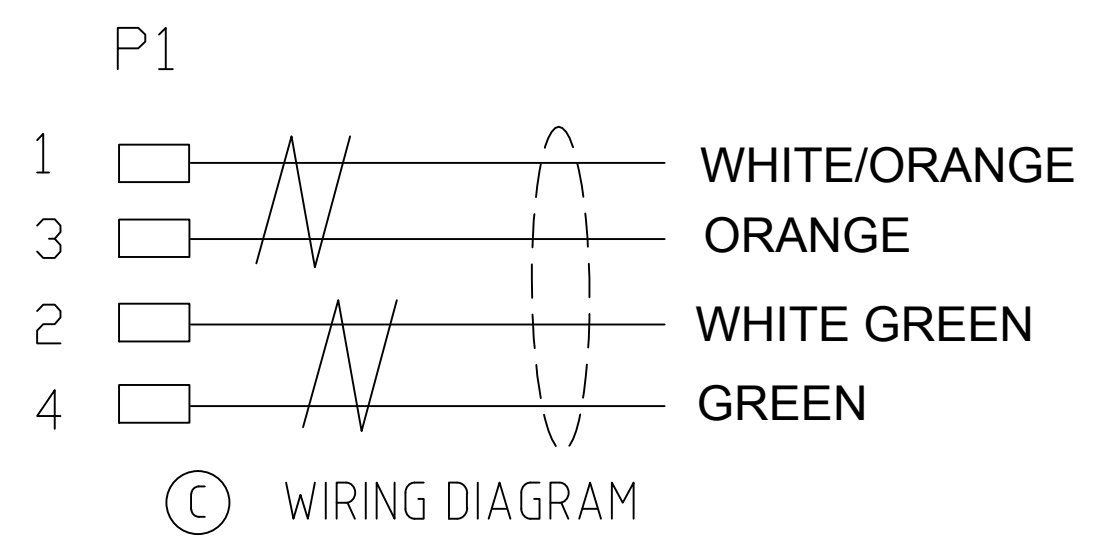
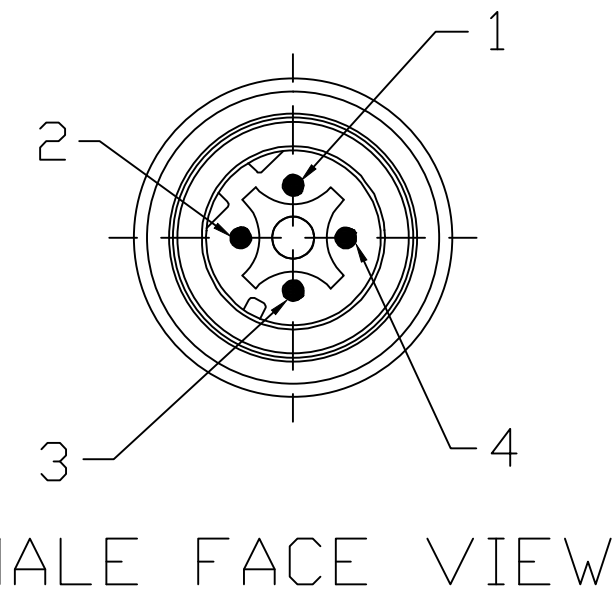
CABLE LENGTH TOLERANCES	
>.3M [1FT]:	+19mm-0 [+.75in-0]
.3 - .9M [1 - 3FT]:	+44.5mm-0 [+1.75in-0]
.9 - 1.8M [3 - 6FT]:	+55.6mm-0 [+2.19in-0]
1.8 - 3.7M [6 - 12FT]:	+88.9mm-0 [+3.50in-0]
3.7 - 7.3M [12 - 24FT]:	+165.1mm-0 [+6.50in-0]
7.3-14.6M [24 - 48FT]:	+317.5mm-0 [+12.50in-0]
14.6 - 30.5M [48-100FT]:	+622.3mm-0 [+24.50in-0]
OVER 30M [100FT]	+2% OF FINISHED LENGTH



E10A00705M010

FINISHED LENGTH
M005 = 0.5 METER
M010 = 1 METER
M100 = 10 METERS

- NOTES:
1. MATERIAL: AS NOTED
 2. FINISH: AS NOTED
 3. ELECTRICAL:
VOLTAGE: 125V
CURRENT: 1.5A
 4. TEMP RATING: -20° TO +75°C
 5. PROTECTION: IP67 (WHEN MATED)
 6. COUPLING THREAD: M12 X 1
 7. UL CERTIFIED FILE: E200650
 8. ALL DIMS ARE FOR REFERENCE UNLESS NOTED OTHERWISE



ITEM	DESCRIPTION	MATERIAL	FINISH
7	WRAP LABEL	VINYL	BLACK/YELLOW
6	OVERMOLD	PBT	GRAY
5	COUPLING NUT	BRASS	NICKEL PLATED
4	SHIELD HOUSING	BRASS	NICKEL PLATED
3	CONTACT PIN	COPPER ALLOY	GOLD PLATED
2	MALE INSERT, D-CODE	PUR	BLACK
1	CABLE, 2 PAIR, 26AWG, SHLD	TPE JACKET	TEAL

REVD PER LATEST STDS. EC NO.: IFC2019-0154 DRWN: RSTONE 10/10/18 CHKD: M ZIELIN APPR: BWOODMAN2013/10/16 DESCRIPTION	QUALITY SYMBOL	GENERAL TOLERANCES (UNLESS SPECIFIED)	DIMENSION STYLE	SCALE	DESIGN UNITS	THIRD ANGLE PROJECTION
	▽=0 ∇=0	4 PLACES ±--- mm ±--- INCH 3 PLACES ±--- mm ±--- INCH 2 PLACES ±--- mm ±--- INCH 1 PLACE ±--- mm ±--- INCH	IN/MM	NTS	INCH	
		ANGULAR ±---°	DRAWN BY DATE GGUSTAFS 2013/09/26	TITLE	M12 D-CODED CABLE ASSY 4P MALE 90D SHIELDED #26/4 TEAL TPE	
		DRAFT WHERE APPLICABLE MUST REMAIN WITHIN DIMENSIONS	CHECKED BY DATE BARDEN 2013/10/28	MOLEX INCORPORATED		SHEET NO. 1 OF 1
			APPROVED BY DATE BWOODMAN 2013/10/16	DOCUMENT NO. SD-120108-067		
			MATERIAL NO. SEE CHART	THIS DRAWING CONTAINS INFORMATION THAT IS PROPRIETARY TO MOLEX INCORPORATED AND SHOULD NOT BE USED WITHOUT WRITTEN PERMISSION		