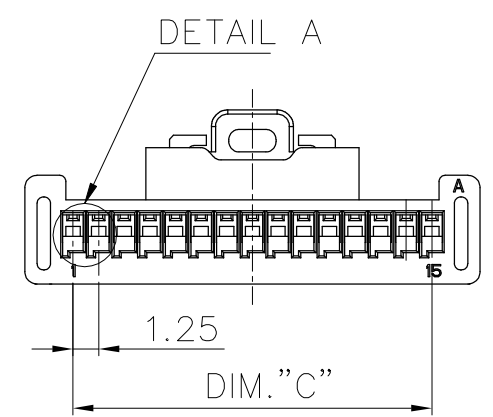
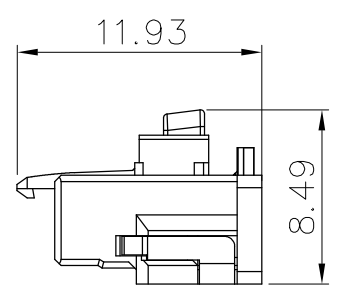
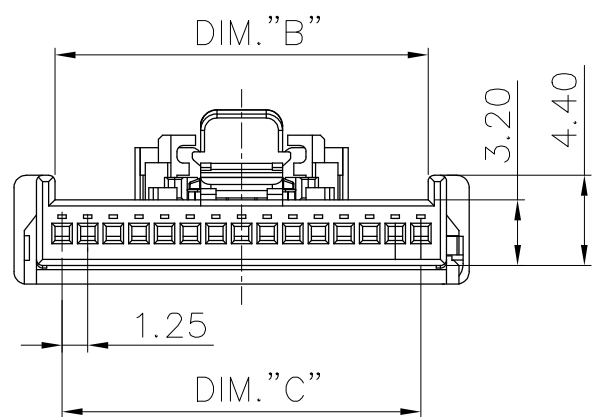


DETAIL A
SCALE 10:1



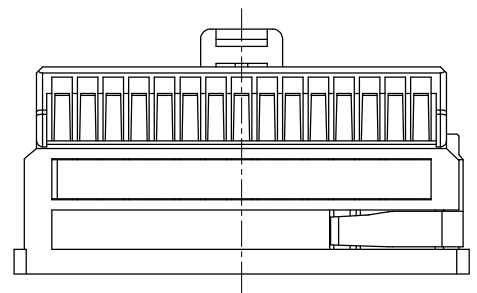
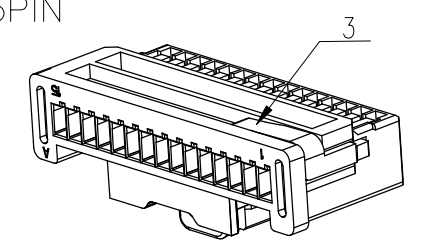
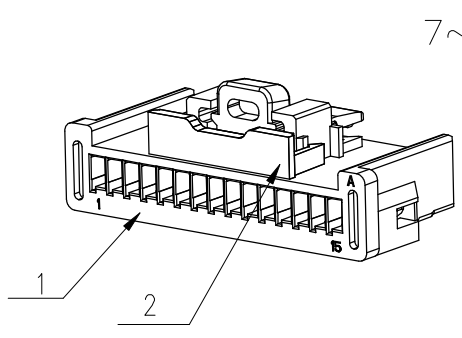
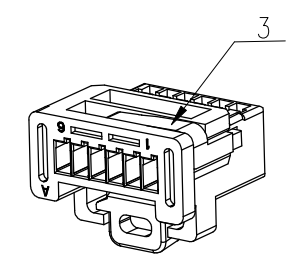
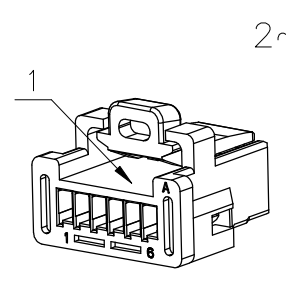
NOTE:
 1. MATERIAL:
 HOUSING: 10157550-XXXXLF.
 HIGH TEMPERATURE THERMOPLASTIC UL94 V-0;
 CPA: 10157553-XXXLF.
 HIGH TEMPERATURE THERMOPLASTIC UL94 V-0;
 TPA: 10157552-XXXXLF.
 HIGH TEMPERATURE THERMOPLASTIC UL94 V-0;
 2. PACKING: SEE GS-14-2615 .
 3. PART NUMBER:
 10157554 - X XX X X LF

COLOR: _____
 0=NATURAL

PIN NO.: _____
 XX=2~15 PIN

PITCH:
 1=1.25mm

TYPE:
 1=WITH TPA&CPA(7~15PIN)
 2=WITH TPA/WO CPA(2~15PIN)
 3=WITH CPA/WO TPA(7~15PIN)
 4=WO TPA & CPA



DIM.	10157550-0XXS1LF
A	20.00-(15-XX)1.25
B	18.20-(15-XX)1.25
C	17.50-(15-XX)1.25

ITEM	P/N	DES.	Q'ty
1	10157550-0XXS1LF	HOUSING	1
2	10157553-XPOLF	CPA	1
3	10157552-XXSOLF	TPA	1

mat'l. code		surface	tolerance	projection	product family
		ISO 1302 ✓	ISO 406 ISO 1101	mm	HPL 542
tr ecn no dr date		tolerances unless otherwise specified		angles	title
A	-	A.Z	2020/07/23	linear	CABLE CONN. SEMI ASSEMBLY
				0°±2'	Multipitch WTB
				dr Arthur Zhao 2020/07/23	dwg no sheet 1 of 1 size
				engr Arthur Zhao 2020/07/23	10157554 A3
				chr Nick ZHANG 2020/07/23	type Product Customer Drawing
				appd Tim Yao 2020/07/23	
sheet index		revision sheet			



© 2016 AFCI