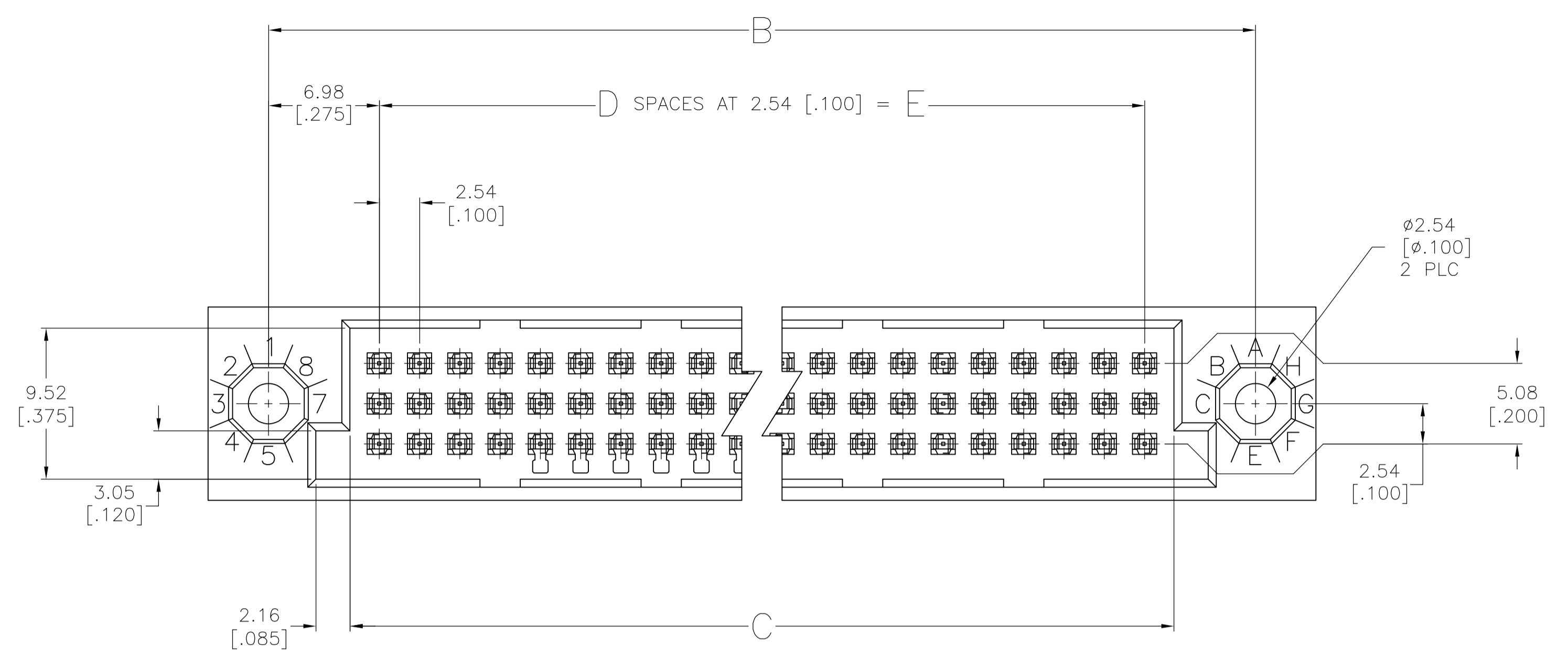
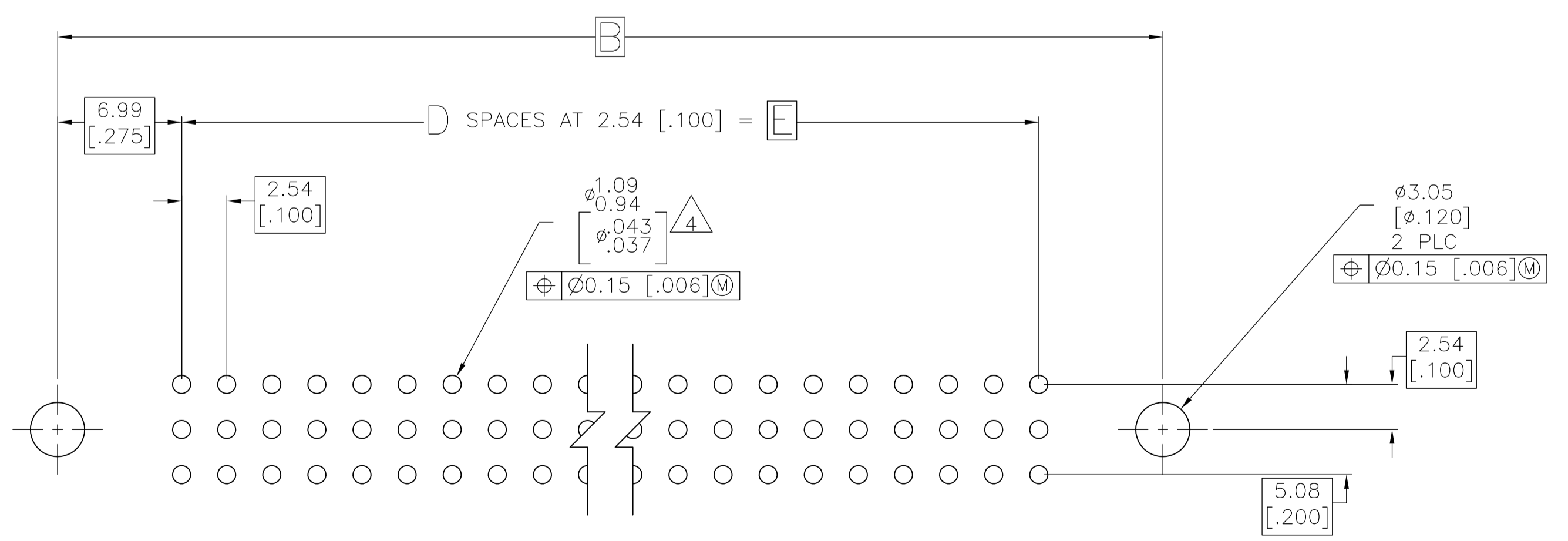
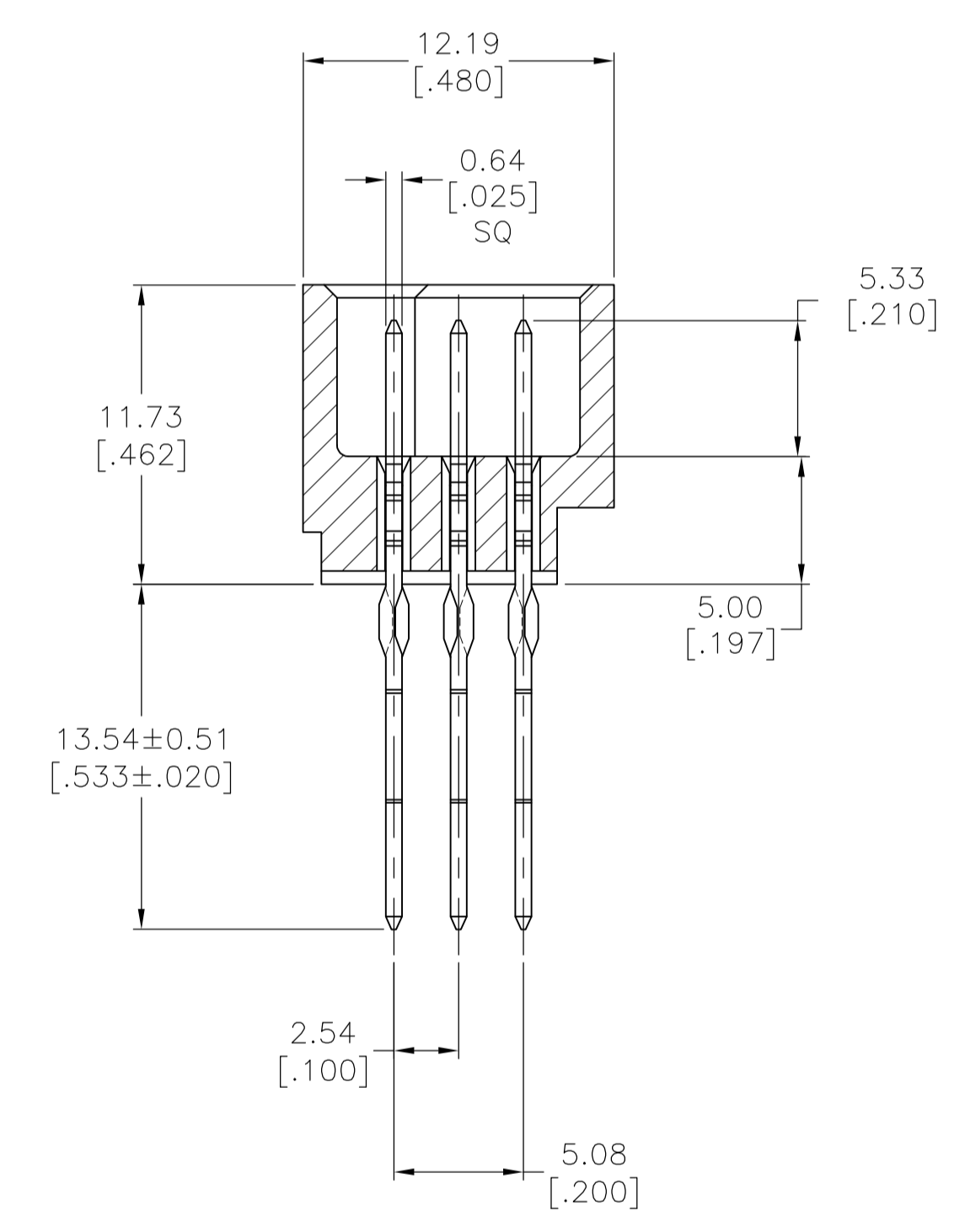
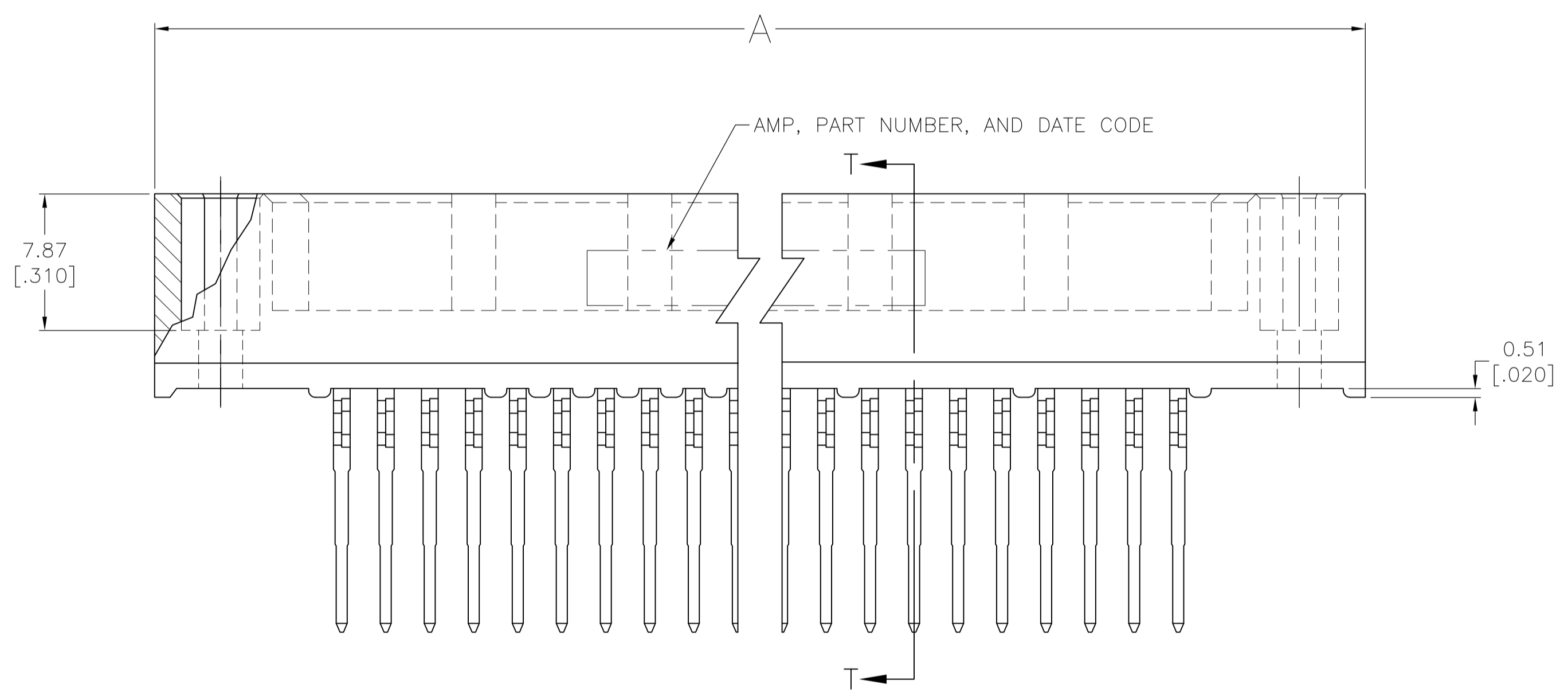


REVISIONS					
P	LTR	DESCRIPTION	DATE	DMN	APVD
A		REVISED PER ECO-15-015252	16NOV15	BJ	FY



- 1 HOUSING MATERIAL: THERMOPLASTIC, BLACK.
- 2 CONTACT MATERIAL: PHOSPHOR BRONZE.
- 3 FINISH:  
MATING AREA: MEETS THE PERFORMANCE REQUIREMENTS OF PRODUCT SPECIFICATION 108-9063; BASED ON TELCORDIA DR-1217-CORE APPLICATIONS IN UNCONTROLLED ENVIRONMENTS.  
TIN PLATED POSTS.
- 4 ACTION PIN POSTS REQUIRE 2.36 [.093] MIN THICK PC BOARD. RECOMMENDED PC BOARD HOLES ARE ø1.151 [.0453] PLATED THRU 0.025-0.076 [.001-.003] COPPER, WITH 0.0076 [.0003] MIN TIN-LEAD PLATING; FINISHED HOLE AFTER PLATING ø0.94-1.09 [.037-.043]; AFTER REFLOW ø0.91-1.09 [.036-.043].
- 5 HOUSINGS WITH CENTER MOUNTING IS RECOMMENDED FOR ASSEMBLIES HAVING 75 CONTACTS PER ROW OR MORE.
- 6 OBSOLETE PARTS: OBSOLETE CIS STREAMLINING PER D.RENAUD/D.SINISI
- 7 FINISH:  
CONTACT FINISH: 0.00127-0.00254 [.000050-.000100] NICKEL UNDERPLATE ALL OVER: 0.00076 [.000030] MIN GOLD PLATE IN CONTACT AREA, TIN PLATED POSTS.



RECOMMENDED PC BOARD LAYOUT

SECTION T-T

27.94 [1.100]	11	31.75 [1.250]	41.91 [1.650]	49.53 [1.950]	36	2-5533061-1
210.82 [8.300]	83	214.63 [8.450]	224.79 [8.850]	232.41 [9.150]	252	1-5533061-9
175.26 [6.900]	69	179.07 [7.050]	189.23 [7.450]	196.85 [7.750]	210	1-5533061-1
149.86 [5.900]	59	153.67 [6.050]	163.83 [6.450]	171.45 [6.750]	180	5533061-9
137.16 [5.400]	54	140.97 [5.550]	151.13 [5.950]	158.75 [6.250]	165	5533061-8
99.06 [3.900]	39	102.87 [4.050]	113.03 [4.450]	120.65 [4.750]	120	5533061-5
73.66 [2.900]	29	77.47 [3.050]	87.63 [3.450]	95.25 [3.750]	90	5533061-2
E	D	C	B	A	POSN	PART NUMBER

THIS DRAWING IS A CONTROLLED DOCUMENT.

DIMENSIONS: mm [INCHES]	TOLERANCES UNLESS OTHERWISE SPECIFIED:	DIN J. POLIGNONE 11MAY05	APVD A. SHARPE 11MAY05	NAME: ASSEMBLY, PIN, VERTICAL, HDI, LEAD-FREE, 3 ROW, WITHOUT GUIDE PINS, 13.54[.533] LONG ACTION PINS
0 PLC ± -	1 PLC ± -	2 PLC ± 0.13 [.005]	3 PLC ± -	4 PLC ± -
ANGLES ± -				
MATERIAL	FINISH	SIZE: A1	CAGE CODE: 00779	DRAWING NO: 5533061
		WEIGHT: -	SCALE: 4:1	SHEET 1 OF 1

CUSTOMER DRAWING