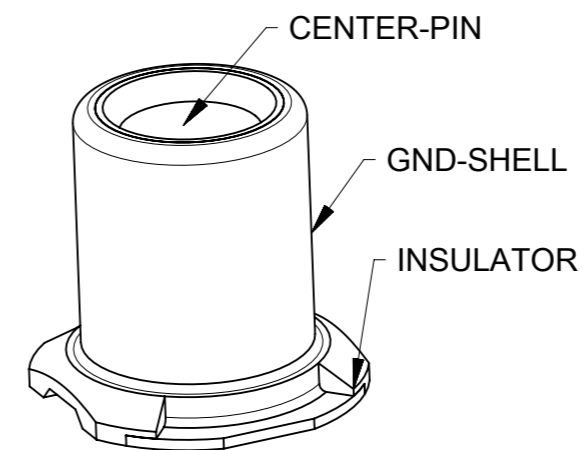
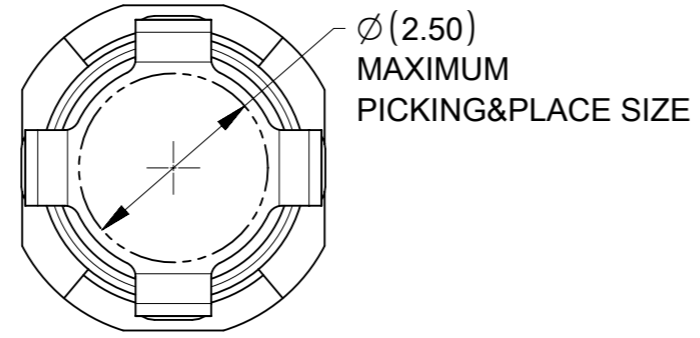
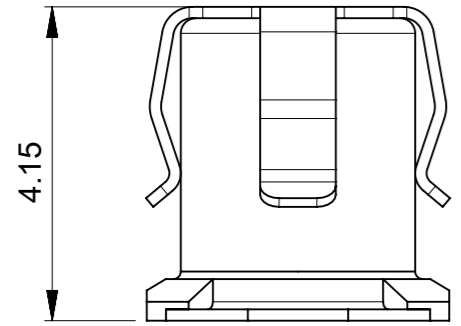
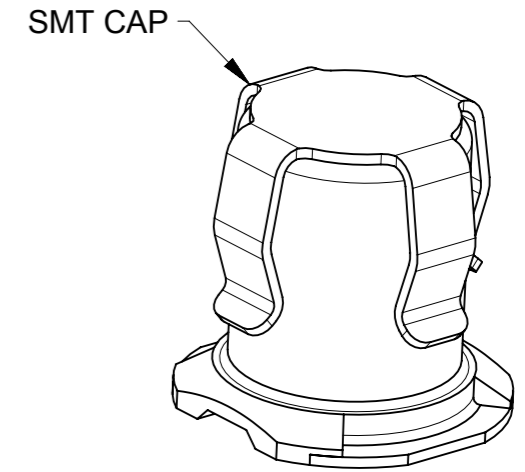


RECOMMENDED P.C BOARD PATTERN LAYOUT (REFERENCE)  
 GENERAL TOLERANCE FOR PCB: +/-0.05  
 RECOMMENDED STENCIL: 0.1MM



JACK WITHOUT CAP



JACK WITH CAP

NOTES:

1. MATERIAL:  
 CENTER-PIN: COPPER ALLOY  
 INSULATOR: HIGH TEMPERATURE THERMAL PLASTIC, UL94V-0, BLACK  
 GND-SHELL: COPPER ALLOY  
 SMT CAP: STAINLESS STEEL
2. PLATING:  
 CENTER-PIN: NICKEL UNDERPLATED, GOLD AT CONTACT AND SOLDER AREA.  
 GND-SHELL: NICKEL UNDERPLATED, GOLD AT CONTACT AND SOLDER AREA.
3. MATE WITH: 215520000\*
4. PRODUCT SPECIFICATION: 2155200000PS000
5. PACKAGING SPECIFICATION: 2155210000PDD000

FUNCTIONAL SYMBOLS	THIS DRAWING CONTAINS INFORMATION THAT IS PROPRIETARY TO MOLEX ELECTRONIC TECHNOLOGIES, LLC AND SHOULD NOT BE USED WITHOUT WRITTEN PERMISSION		CURRENT REV DESC:		<b>molex</b>
	▽A = 0	mm	10:1		
▽E = 0	GENERAL TOLERANCES (UNLESS SPECIFIED)				SD FOR FLOATING CAMERA JACK
▽F = 0	ANGULAR TOL ± 2.0°				
DIVISIONAL SYMBOLS	4 PLACES	±		EC NO: 642399	PRODUCT CUSTOMER DRAWING
	3 PLACES	±		DRWN: FCHEN11 2020/07/30	
	2 PLACES	±	0.2	CHK'D: AYIN 2020/08/11	DOCUMENT NUMBER
	1 PLACE	±	0.3	APPR: AYIN 2020/08/11	
	0 PLACES	±		INITIAL REVISION:	DOC TYPE
DRAFT WHERE APPLICABLE MUST REMAIN WITHIN DIMENSIONS		THIRD ANGLE PROJECTION	DRAWING	SERIES	DOC PART
		⊕	A3-SIZE	215521	REVISION
					1 OF 1