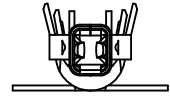
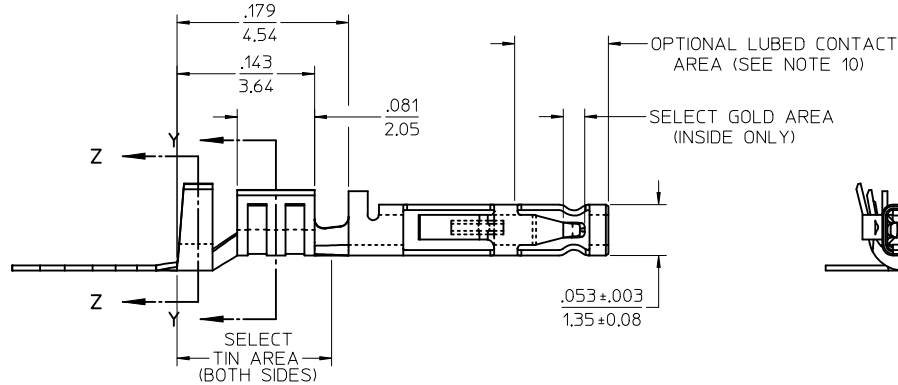
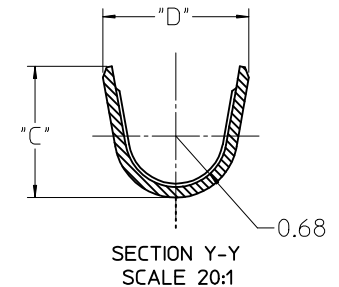
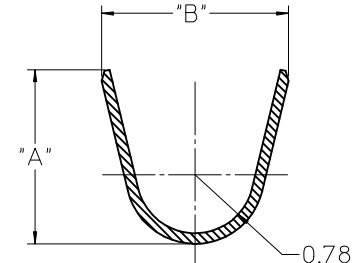
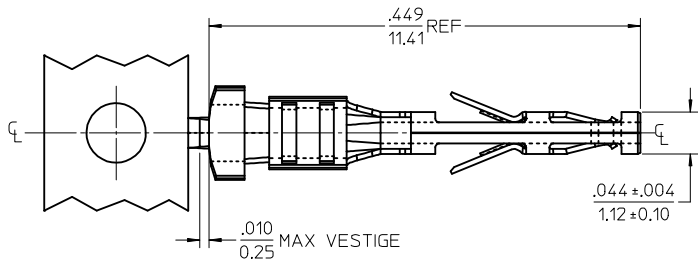
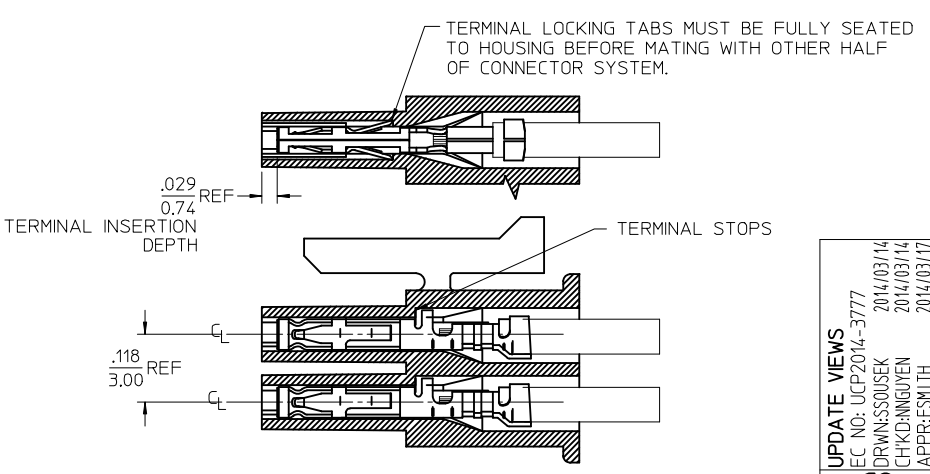


	13	12	11	10	9	8	7	6	5	4	3	2	1
J	MATERIAL NUMBER	WIRE SIZE	PLATING OPTION	LUBRICATION	MAX INSULATION	"A" ±.012 ±0.30	"B" ±.012 ±0.30	"C" ±.012 ±0.30	"D" ±.012 ±0.30				
	46235-0001	20-24	1	NO	.073	.091	.098	.068	.073				
	46235-0002		2		1.85	2.30	2.48	1.73	1.93				
	46235-0003	26-30	1		.050	.075	.090	.048	.069				
	46235-0004		2	1.27	1.90	2.29	1.22	1.75					
	46235-5001	20-24	1	YES	.073	.091	.098	.068	.073				
	46235-5002		2		1.85	2.30	2.48	1.73	1.93				
	46235-5003	26-30	1		.050	.075	.090	.048	.069				
	46235-5004		2		1.27	1.90	2.29	1.22	1.75				



NOTES

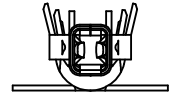
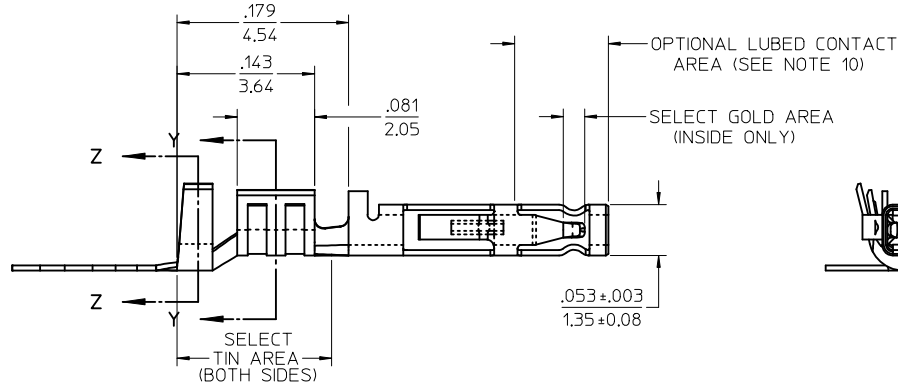
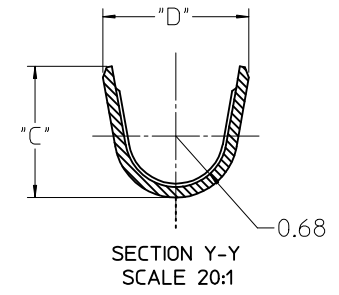
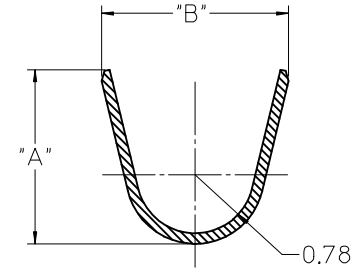
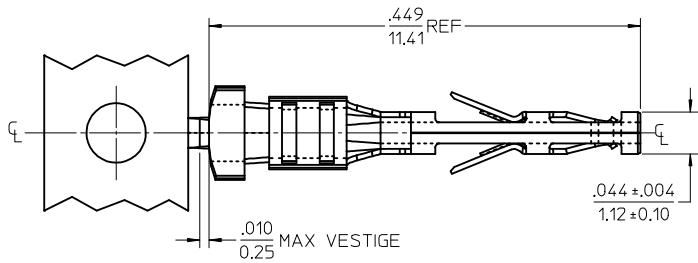
- MATERIAL: COPPER ALLOY
- TERMINAL PLATING:
 - .000015/0.00038 MIN. SELECT GOLD .000100/0.00254 MIN. SELET TIN ALL OVER .000050/0.00127 MIN. NICKEL OVERALL.
 - .000030/0.00076 MIN. SELECT GOLD .000100/0.00254 MIN. SELET TIN ALL OVER .000050/0.00127 MIN. NICKEL OVERALL.
- PRODUCT SPECIFICATION: PS-46235-001
- PACKAGING SPECIFICATION: PK-46235-001
- TERMINAL FOR USE IN RECEPTACLE SERIES 43025, 43645 AND 44133.
- FOR TERMINAL ORIENTATION IN RECEPTACLE SEE PICTORIAL IN LOWER LEFT CORNER
- THIS TERMINAL IS DESIGNED IN METRIC
- MOLEX RECOMMENDS THE USE OF MICRO-FIT TEST PLUG (SERIES 44242) WHENEVER CONTINUITY TESTING IS PERFORMED. TEST PLUGS MUST NOT BE USED TO MAKE OR BREAK UNDER LOAD. MOLEX DOES NOT RECOMMEND USING STANDARD MATING COMPONENTS (SERIES 43020, 43045, 43640, 43650, OR 43031) FOR HARNESS TESTING PURPOSES
- THIS PART CONFORMS TO CLASS B REQUIREMENTS OF COSMETIC SPEC PS-45499-002
- MOLEX PROPRIETARY CONTACT LUBRICATION EB-1 IS APPLIED IN THE CONTACT AREA AS SHOWN. SEE CHART FOR APPLICABLE PART NUMBERS.



UPDATE VIEWS	EC NO: UCP2014-3777	2014/03/14
DRW:WSSOUSEK	CHKD:NGUYEN	2014/03/14
APPR:FSMITH		2014/03/17
REV	DESCRIPTION	
C2		

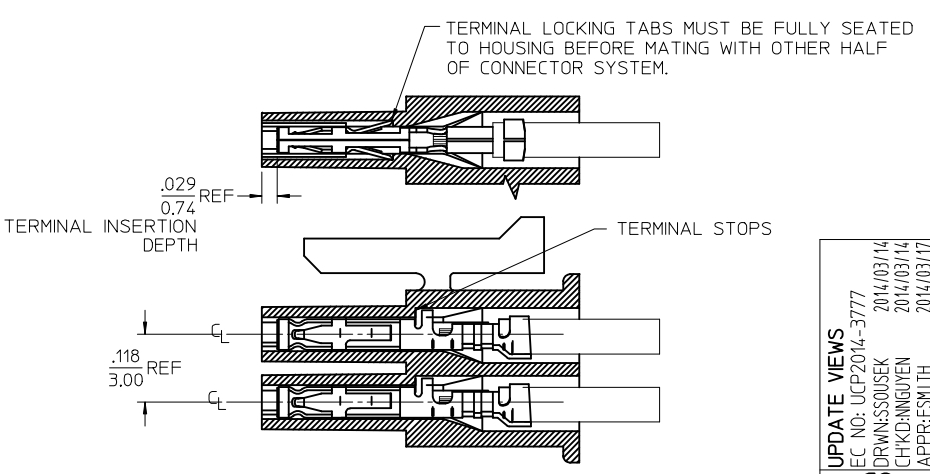
QUALITY SYMBOLS ▽=0 ▽=0	GENERAL TOLERANCES (UNLESS SPECIFIED)	DIMENSION STYLE IN/MM	SCALE 10:1	DESIGN UNITS METRIC	THIRD ANGLE PROJECTION
	mm INCH	DRAWN BY TGREGORI	DATE 2007/02/05	TITLE MICRO-FIT (3.0) FEMALE CRIMP TERMINAL LOW MATE FORCE	
	4 PLACES ± --- ± ---	CHECKED BY JCOMERC I	DATE 2007/03/19	MOLEX INCORPORATED	SHEET NO. 1 OF 1
	3 PLACES ± --- ±.010	APPROVED BY JCOMERC I	DATE 2007/03/19		
	2 PLACES ± 0.25 ±.014	MATERIAL NO. SEE CHART		DOCUMENT NO. SD-46235-001	
	1 PLACE ± 0.35 ± ---	THIS DRAWING CONTAINS INFORMATION THAT IS PROPRIETARY TO MOLEX INCORPORATED AND SHOULD NOT BE USED WITHOUT WRITTEN PERMISSION			
	ANGULAR ± 1/2°				
	DRAFT WHERE APPLICABLE MUST REMAIN WITHIN DIMENSIONS				

	13	12	11	10	9	8	7	6	5	4	3	2	1
J	MATERIAL NUMBER	WIRE SIZE	PLATING OPTION	LUBRICATION	MAX INSULATION	"A" ±.012 ±0.30	"B" ±.012 ±0.30	"C" ±.012 ±0.30	"D" ±.012 ±0.30				
	46235-0001	20-24	1	NO	.073	.091	.098	.068	.073				
	46235-0002		2		1.85	2.30	2.48	1.73	1.93				
	46235-0003	26-30	1		.050	.075	.090	.048	.069				
	46235-0004		2	1.27	1.90	2.29	1.22	1.75					
	46235-5001	20-24	1	YES	.073	.091	.098	.068	.073				
	46235-5002		2		1.85	2.30	2.48	1.73	1.93				
I	46235-5003	26-30	1		.050	.075	.090	.048	.069				
	46235-5004		2		1.27	1.90	2.29	1.22	1.75				



NOTES

- MATERIAL: COPPER ALLOY
- TERMINAL PLATING:
 - .000015/0.00038 MIN. SELECT GOLD .000100/0.00254 MIN. SELET TIN ALL OVER .000050/0.00127 MIN. NICKEL OVERALL.
 - .000030/0.00076 MIN. SELECT GOLD .000100/0.00254 MIN. SELET TIN ALL OVER .000050/0.00127 MIN. NICKEL OVERALL.
- PRODUCT SPECIFICATION: PS-46235-001
- PACKAGING SPECIFICATION: PK-46235-001
- TERMINAL FOR USE IN RECEPTACLE SERIES 43025, 43645 AND 44133.
- FOR TERMINAL ORIENTATION IN RECEPTACLE SEE PICTORIAL IN LOWER LEFT CORNER
- THIS TERMINAL IS DESIGNED IN METRIC
- MOLEX RECOMMENDS THE USE OF MICRO-FIT TEST PLUG (SERIES 44242) WHENEVER CONTINUITY TESTING IS PERFORMED. TEST PLUGS MUST NOT BE USED TO MAKE OR BREAK UNDER LOAD. MOLEX DOES NOT RECOMMEND USING STANDARD MATING COMPONENTS (SERIES 43020, 43045, 43640, 43650, OR 43031) FOR HARNESS TESTING PURPOSES
- THIS PART CONFORMS TO CLASS B REQUIREMENTS OF COSMETIC SPEC PS-45499-002
- MOLEX PROPRIETARY CONTACT LUBRICATION EB-1 IS APPLIED IN THE CONTACT AREA AS SHOWN. SEE CHART FOR APPLICABLE PART NUMBERS.



REV	DESCRIPTION
C2	UPDATE VIEWS EC NO: UCP2014-3777 DRW:SSOUSEK 2014/03/14 CHKD:NGUYEN 2014/03/14 APPR:FSMITH 2014/03/17

QUALITY SYMBOLS		GENERAL TOLERANCES (UNLESS SPECIFIED)		DIMENSION STYLE		SCALE	DESIGN UNITS	THIRD ANGLE PROJECTION	
▽=0 ▽=0		mm	INCH	IN/MM		10:1	METRIC		
4 PLACES	± .---	± .---	± .---	DRAWN BY	DATE	MICRO-FIT (3.0) FEMALE CRIMP TERMINAL LOW MATE FORCE			
3 PLACES	± .---	± .010	± .---	TGREGORI	2007/02/05				
2 PLACES	± 0.25	± .014	± .---	JCOMERC I	2007/03/19				
1 PLACE	± 0.35	± .---	± .---	APPROVED BY	DATE	MOLEX INCORPORATED			
ANGULAR ±1/2°				JCOMERC I	2007/03/19				
DRAFT WHERE APPLICABLE MUST REMAIN WITHIN DIMENSIONS		SEE CHART		MATERIAL NO.		DOCUMENT NO.		SHEET NO.	
				C		SD-46235-001		1 OF 1	
THIS DRAWING CONTAINS INFORMATION THAT IS PROPRIETARY TO MOLEX INCORPORATED AND SHOULD NOT BE USED WITHOUT WRITTEN PERMISSION									