

2-BAY MINI50 RIGHT ANGLE HEADER ASSEMBLY
(P/N 34960-0200 SHOWN)

NOTES: VALID UNLESS OTHERWISE SPECIFIED

1. GENERAL:

a. CONNECTOR HEADER MUST BE VALIDATED TO THE FOLLOWING FUNCTIONAL REQUIREMENTS:

PRODUCT SPECIFICATION: PS-34959-001

b. APPLICATION REQUIREMENTS (REFERENCE ONLY):

APPLICATION SPECIFICATION: AS-34959-001

c. PACKAGING SPECIFICATION PER MOLEX DRAWING PK-31302-070 (TRAY)

d. PACKAGING SPECIFICATION PER MOLEX DRAWING PK-31301-688 (TUBE)

2. DESIGN: MATERIALS:

a. SHROUD (PLASTIC HOUSING):

RESIN - SPS 30%GF

COLOR:

POL A - BLACK

POL B - GRAY

POL C - DARK GREY

b. PIN ALIGNMENT PLATE:

RESIN - SPS 30%GF

COLOR: BLACK

c. 0.50mm BLADES:

BASE MATERIAL: C26800

PLATING TYPE: AS NOTED

d. 1.20mm BLADES:

BASE MATERIAL: C26800

PLATING TYPE: AS NOTED

3. PLATING REQUIREMENTS:

a. UNDERPLATING - OVERALL NICKEL

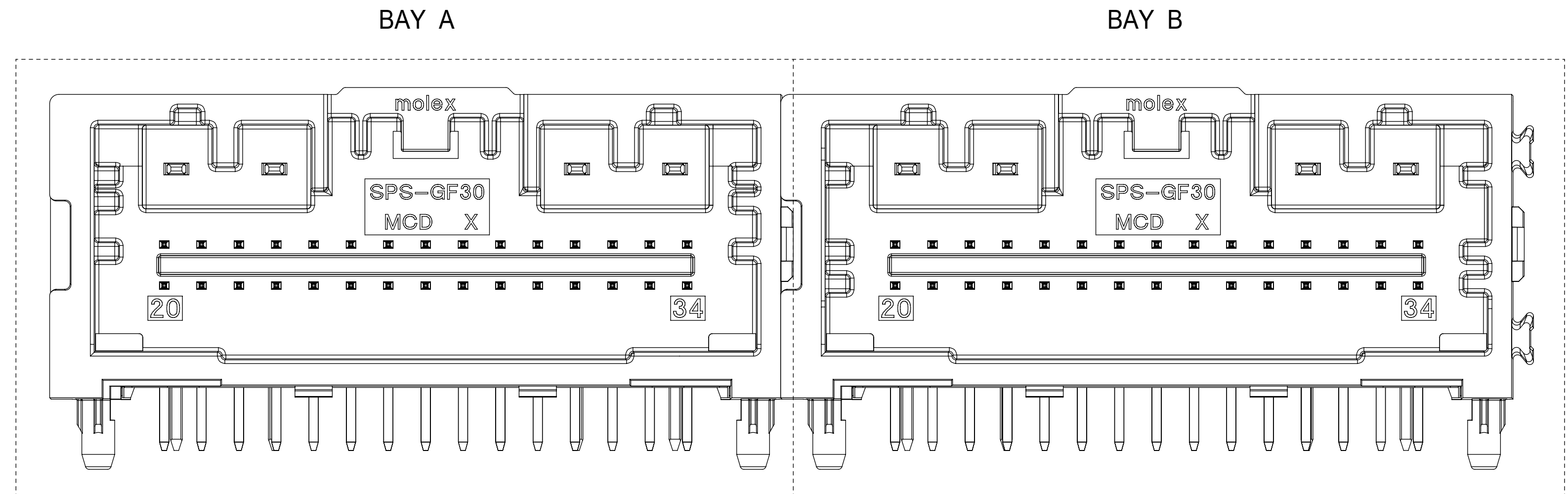
b. OVERPLATING - OVERALL REFLOW TIN

4. FOR DESCRIPTION OF INDIVIDUAL BAYS, REFER TO THE FOLLOWING

SINGLE BAY DRAWINGS:

PART NUMBER: 34961-03XX, REFER TO SD-34961-030

PART NUMBER: 34961-13XX, REFER TO SD-34961-130



DIMENSIONAL CHART FOR MULTIBAY CONFIGURATION:

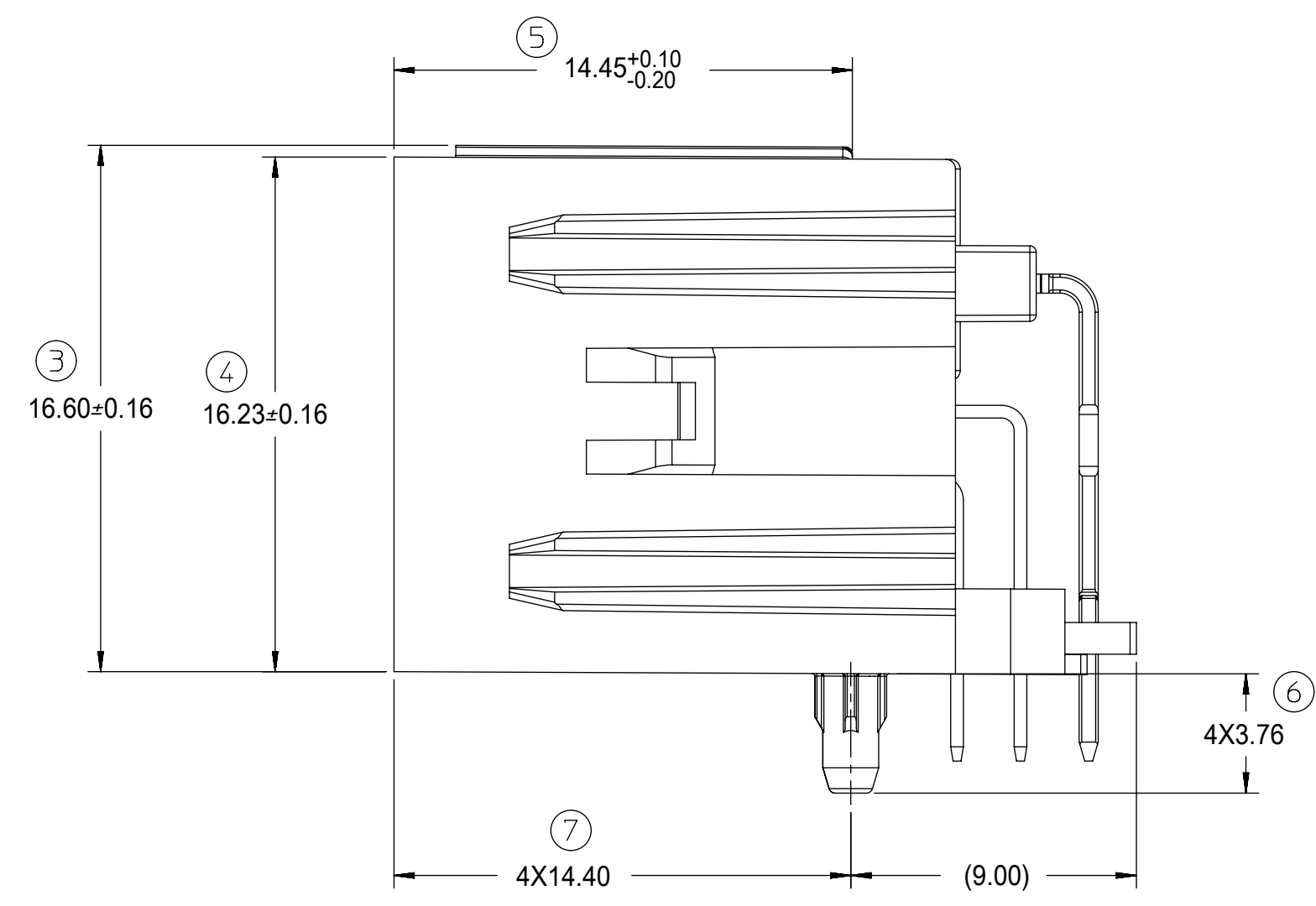
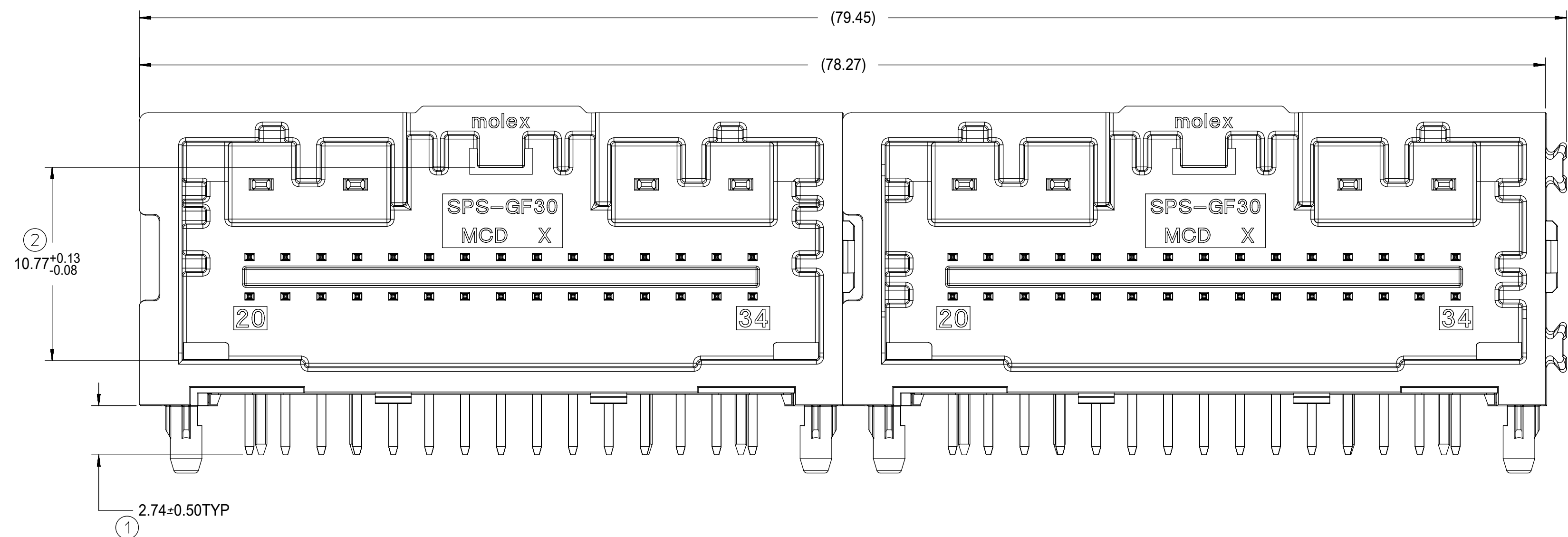
2 BAY PART NUMBER (TUBE PKG)	2 BAY PART NUMBER (TRAY PKG)	BAY A					BAY B					STATUS	
		P/N	TYPE	POL	COLOR	QTY OF PINS	P/N	TYPE	POL	COLOR	QTY OF PINS		
TBD	34960-0200	34961-0340	HYBRID	A	BLACK	34	34961-0341	HYBRID	B	GREY	34	SALEABLE	
TBD	34960-0210	34961-0380	0.50mm	A	BLACK	38	34961-0381	0.50mm	B	GREY	38	WILL BE OBSOLETE IN 2019	
TBD	34960-0220	34961-0340	HYBRID	A	BLACK	34	34961-0381	0.50mm	B	GREY	38	WILL BE OBSOLETE IN 2019	
TBD	34960-0230	34961-0380	0.50mm	A	BLACK	38	34961-0341	HYBRID	B	GREY	34	OBSOLETE	
TBD	34960-0240	34961-0381	0.50mm	B	GREY	38	34961-0380	0.50mm	A	BLACK	38	WILL BE OBSOLETE IN 2019	
TBD	34960-0250	34961-0381	0.50mm	B	GREY	38	34961-0382	0.50mm	C	DK GREY	38	SALEABLE	
TBD	34960-0211	34961-0383	0.50mm	UPDATED A	BLACK	38	34961-0384	0.50mm	UPDATED B	GREY	38	SALEABLE	
TBD	34960-0221	34961-0340	HYBRID	A	BLACK	34	34961-0384	0.50mm	UPDATED B	GREY	38	SALEABLE	
TBD	34960-0231	34961-0383	0.50mm	UPDATED A	BLACK	38	34961-0341	HYBRID	B	GREY	34	SALEABLE	
TBD	34960-0241	34961-0384	0.50mm	UPDATED B	GREY	38	34961-0383	0.50mm	UPDATED A	BLACK	38	SALEABLE	
TBD	34960-0251	34961-0384	0.50mm	UPDATED B	GREY	38	34961-0385	0.50mm	UPDATED C	DK GREY	38	SALEABLE	
34960-7261	34960-0261	34961-1380	0.50mm	UPDATED A	BLACK	31	34961-1381	0.50mm	UPDATED B	GREY	14	SALEABLE	
B1	TBD	34960-0271	34961-0341	HYBRID	B	GREY	34	34961-0340	HYBRID	A	BLACK	34	SALEABLE

B1

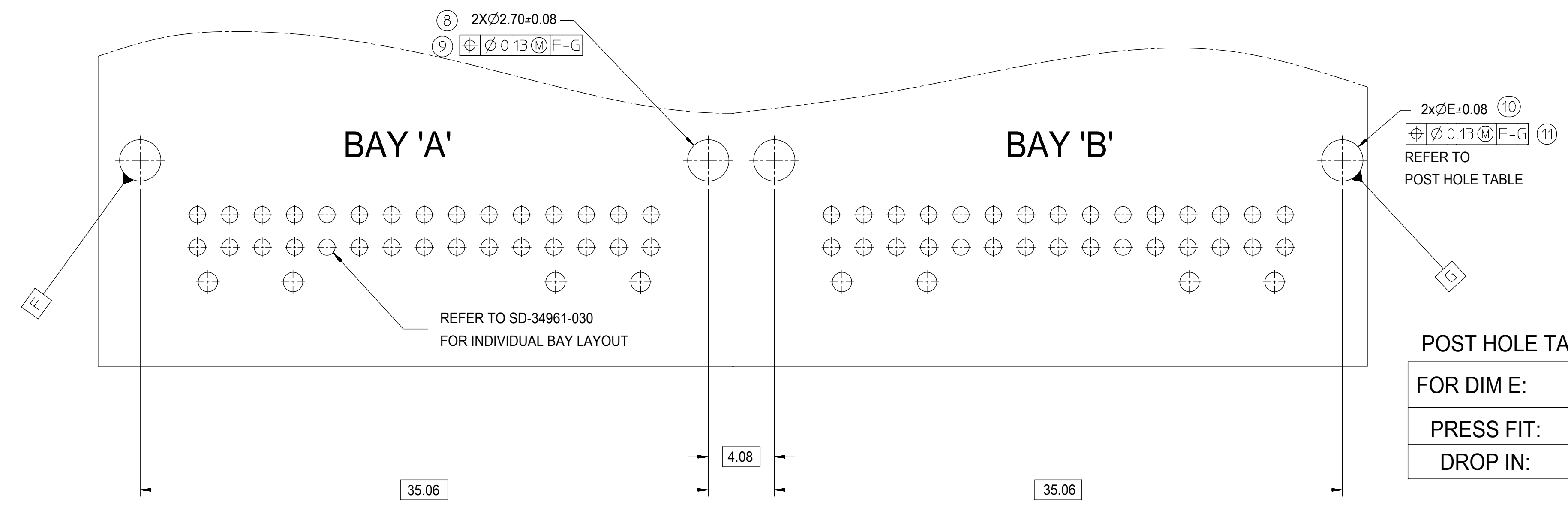
THIS DRAWING CONTAINS INFORMATION THAT IS PROPRIETARY TO MOLEX ELECTRONIC TECHNOLOGIES, LLC AND SHOULD NOT BE USED WITHOUT WRITTEN PERMISSION

DIMENSION UNITS	SCALE	CURRENT REV DESC: OBSOLETE PART NO		molex			
mm	1:1						
GENERAL TOLERANCES (UNLESS SPECIFIED)				34 & 38 CKT MINI50 2-BAY R/A HEADER ASSEMBLY SALES DRAWING			
ANGULAR TOL	±	°		PRODUCT CUSTOMER DRAWING			
4 PLACES	±			DOCUMENT NUMBER			
3 PLACES	±			SD-34960-0200			
2 PLACES	±			DOC TYPE			
1 PLACE	±			PSD			
0 PLACES	±			DOC PART			
DRAFT WHERE APPLICABLE MUST REMAIN WITHIN DIMENSIONS				REVISION			
THIRD ANGLE PROJECTION				B1			
DRAWING				SERIES			
D-SIZE				34960			
MATERIAL NUMBER				CUSTOMER			
GENERAL MARKET				SHEET NUMBER			
				1 OF 2			

B1	ADDED NEW PART NUMBER: 34960-0271 IN THE CHART ON SHEET 1	623488
B	1. OBSOLETE PART NO 349600230 2. ADDED NEW NUMBER: 34960-0261 IN THE CHART ON SHEET 1	618118
A10	ADDED NEW P/N: 34961-7261 IN THE BOM ON SHEET 1.	611155
A9	ADDED NEW P/N: 34960-0211 \ 34960-0221 \ 34960-0231 34960-0241\34960-0251 IN THE BOM ON SHEET 1. ADDED PRODUCT STATUS IN THE BOM ON SHEET 1.	606688
REV	REV DESCRIPTION	ECN SAP NO.

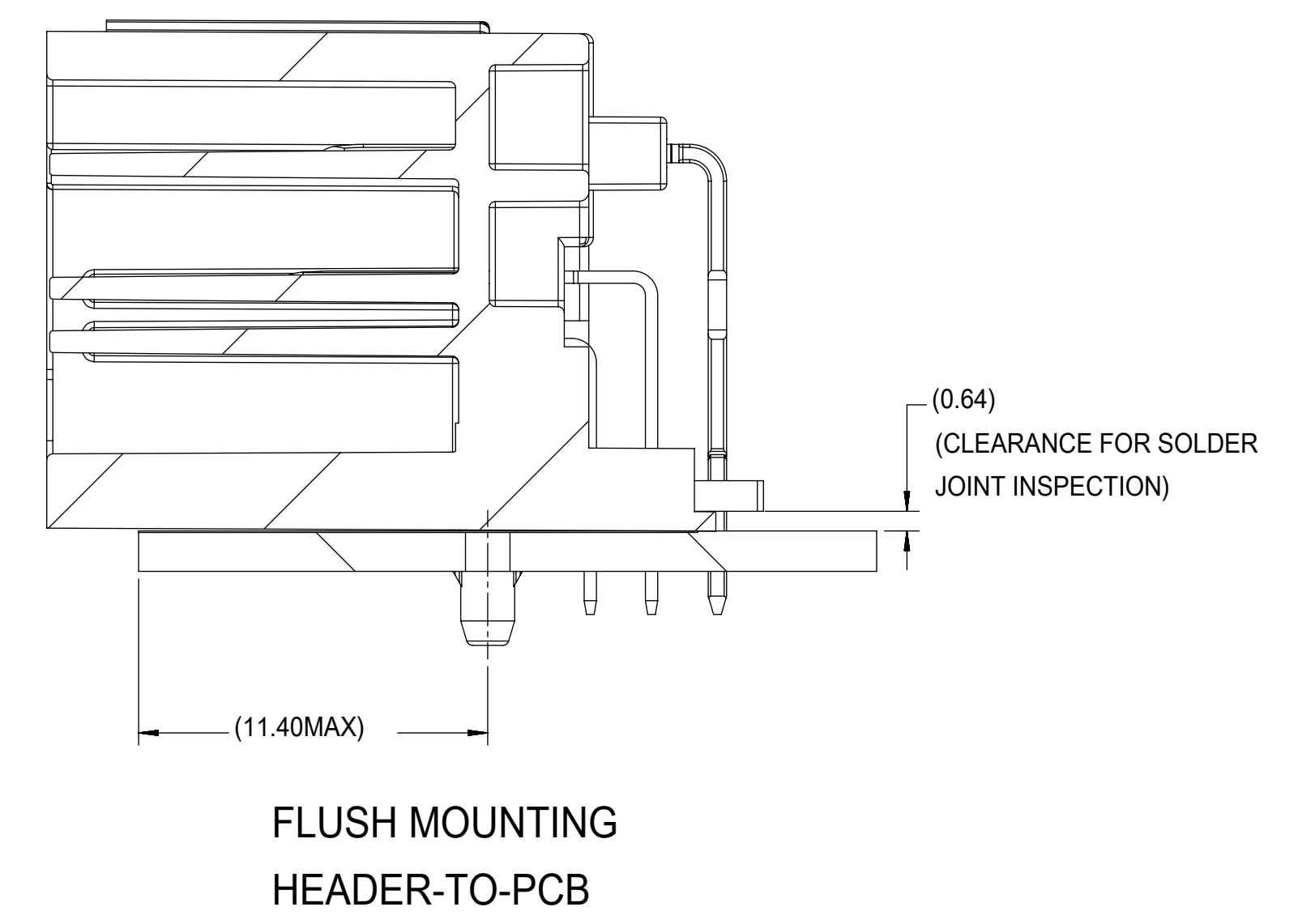


RECOMMENDED PCB LAYOUT



POST HOLE TABLE:
FOR DIM E:

PRESS FIT:	2.30
DROP IN:	2.65



Partial
SCALE 5:1

DIN 16901	CODE LETTER	NOMINAL DIMENSION RANGE													
		OVER UP TO	0	1	3	6	10	15	22	30	40	53	70	90	120
PRECISION	A		±0.10	±0.12	±0.14	±0.16	±0.20	±0.22	±0.24	±0.26	±0.28	±0.31	±0.35	±0.40	±0.50
ENGINEERING	B		±0.05	±0.06	±0.07	±0.08	±0.10	±0.12	±0.14	±0.16	±0.18	±0.21	±0.25	±0.30	±0.40

A: FOR NON-MOLD RELATED DIMENSIONS (ACROSS PARTING LINE)
B: FOR MOLD RELATED DIMENSIONS (WITHIN MOLD COMPONENTS)

THIS DRAWING CONTAINS INFORMATION THAT IS PROPRIETARY TO MOLEX ELECTRONIC TECHNOLOGIES, LLC AND SHOULD NOT BE USED WITHOUT WRITTEN PERMISSION

DIMENSION UNITS	SCALE	CURRENT REV DESC: OBSOLETE PART NO	
mm	1:1		
GENERAL TOLERANCES (UNLESS SPECIFIED)		EC NO: 623488	
ANGULAR TOL	± °	DRWN: SWU31	2019/09/04
4 PLACES	±	CHK'D: CDZHANG	2019/09/10
3 PLACES	±	APPR: CDZHANG	2019/09/10
2 PLACES	±	INITIAL REVISION:	
1 PLACE	±	DRWN: JFISCHER01	2014/03/25
0 PLACES	±	APPR: RBAUMAN	2014/03/31
DRAFT WHERE APPLICABLE MUST REMAIN WITHIN DIMENSIONS		THIRD ANGLE PROJECTION	DRAWING SERIES
			D-SIZE 34960
		MATERIAL NUMBER	CUSTOMER
		SD-34960-0200	GENERAL MARKET
		DOC TYPE	DOC PART
		PSD	001
		REVISION	B1
DOCUMENT STATUS		P1	RELEASE DATE
2019/09/10		09:45:21	