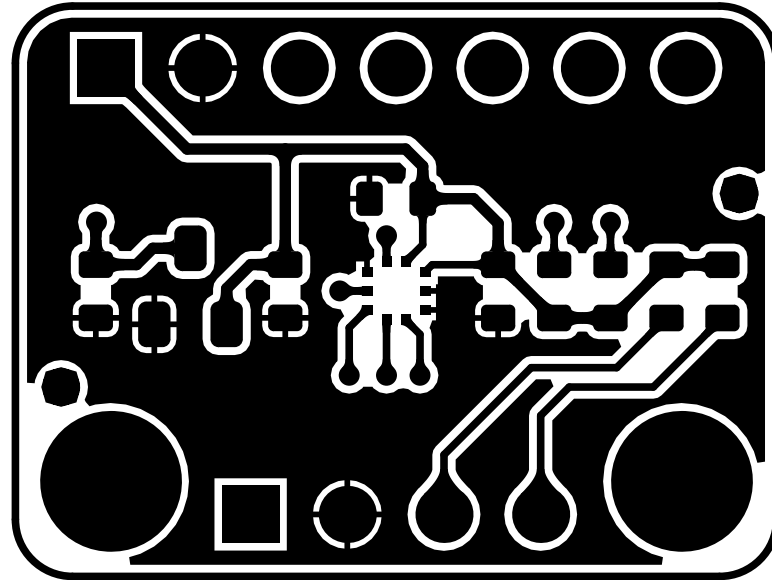


	Title: BMP390L Barometric Pressure Sensor	Code: SEN0423
	Drawn: Aaron-CD	Revision: V1.0
	Page: 1 of 1	Date: 2021/5/25



PCB Information

Name:[SEND423](V1.0)

Thickness: 1.0mm

Engineer:Aaron

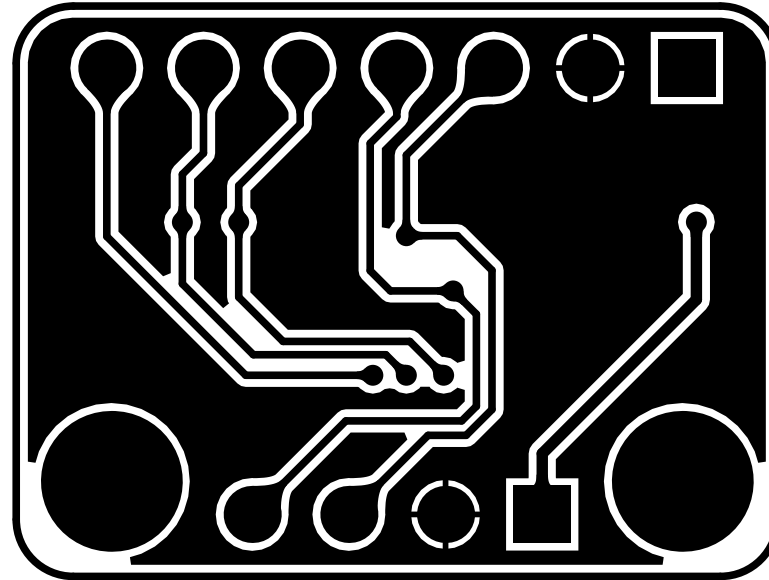
Top SolderMask: Black

Bottom SolderMask: Black

Date: 20210525

Top Silkscreen: White

Bottom Silkscreen: White



PCB Information

Name:[SEND423](V1.0)

Thickness: 1.0mm

Engineer:Aaron

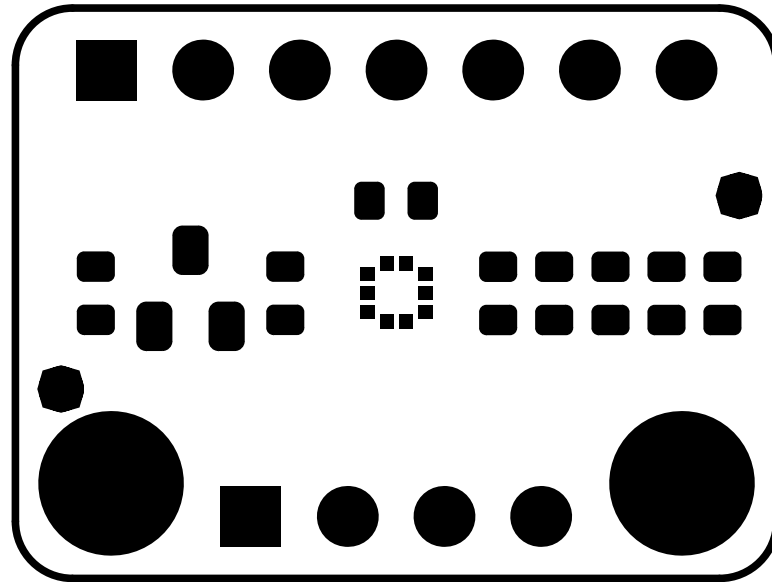
Top SolderMask: Black

Bottom SolderMask: Black

Date: 20210525

Top Silkscreen: White

Bottom Silkscreen: White



PCB Information

Name:[SEND423](V1.0)

Thickness: 1.0mm

Engineer:Aaron

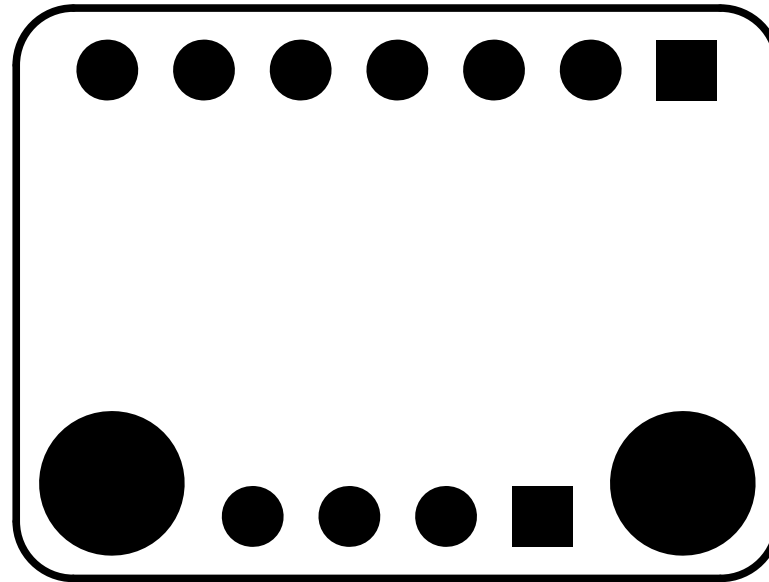
Top SolderMask: Black

Bottom SolderMask: Black

Date: 20210525

Top Silkscreen: White

Bottom Silkscreen: White



PCB Information

Name:[SEN0423](V1.0)

Thickness: 1.0mm

Engineer:Aaron

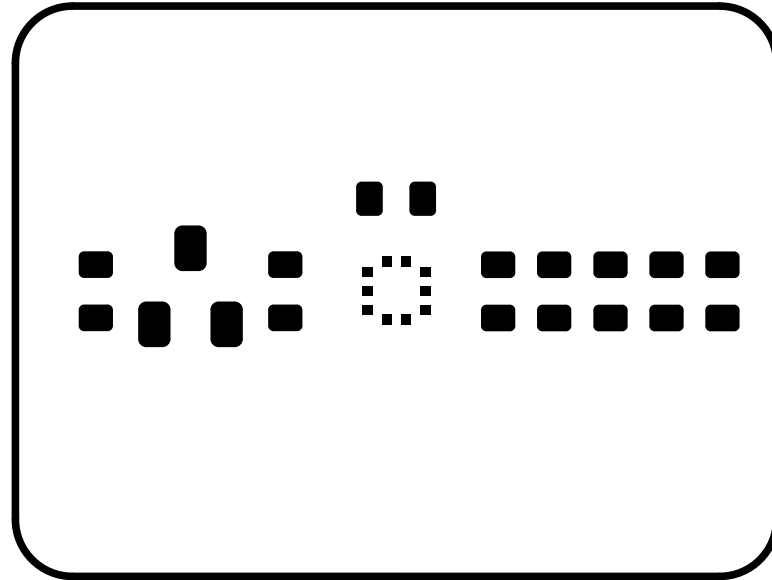
Top SolderMask: Black

Bottom SolderMask: Black

Date: 20210525

Top Silkscreen: White

Bottom Silkscreen: White



PCB Information

Name:[SEND423](V1.0)

Thickness: 1.0mm

Engineer:Aaron

Top SolderMask: Black

Bottom SolderMask: Black

Date: 20210525

Top Silkscreen: White

Bottom Silkscreen: White



PCB Information

Name:[SEN0423](V1.0)

Thickness: 1.0mm

Engineer:Aaron

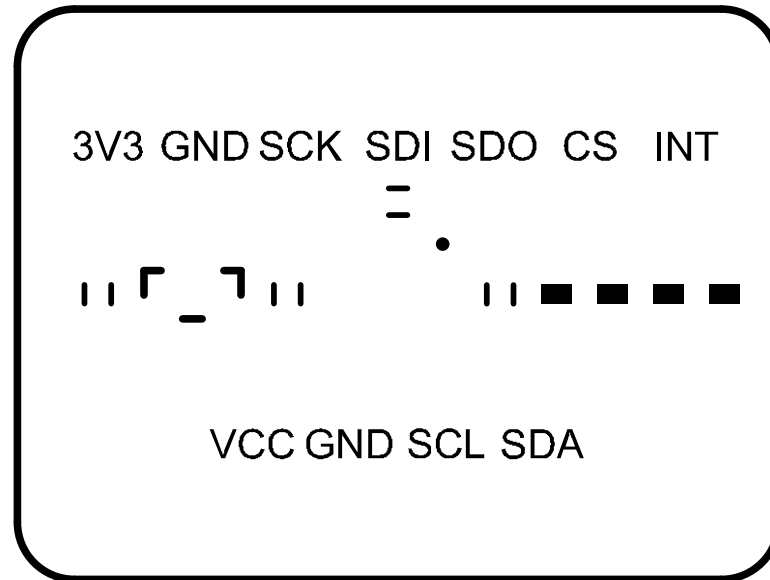
Top SolderMask: Black

Bottom SolderMask: Black

Date: 20210525

Top Silkscreen: White

Bottom Silkscreen: White



PCB Information

Engineer: Aaron

Date: 20210525

Name: [SEND423](V1.0)

Top SolderMask: Black

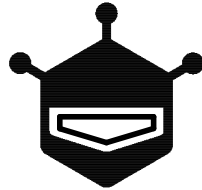
Top Silkscreen: White

Thickness: 1.0mm

Bottom SolderMask: Black

Bottom Silkscreen: White

INT CS SDO SDI SCK GND 3V3



Digital Pressure Sensor
-BMP390L (V1.0)

SDA SCL GND VCC

PCB Information

Name:[SEN0423](V1.0)

Thickness: 1.0mm

Engineer:Aaron

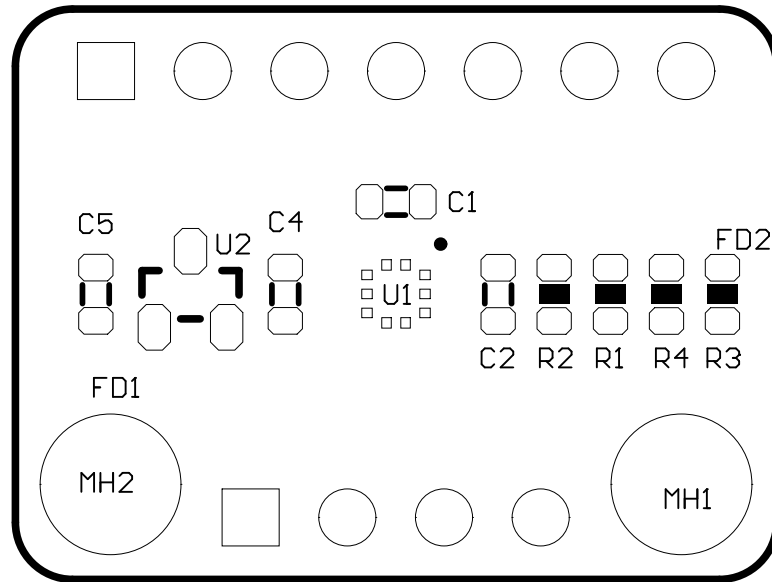
Top SolderMask: Black

Bottom SolderMask: Black

Date: 20210525

Top Silkscreen: White

Bottom Silkscreen: White



PCB Information

Name:[SEND423](V1.0)

Thickness: 1.0mm

Engineer:Aaron

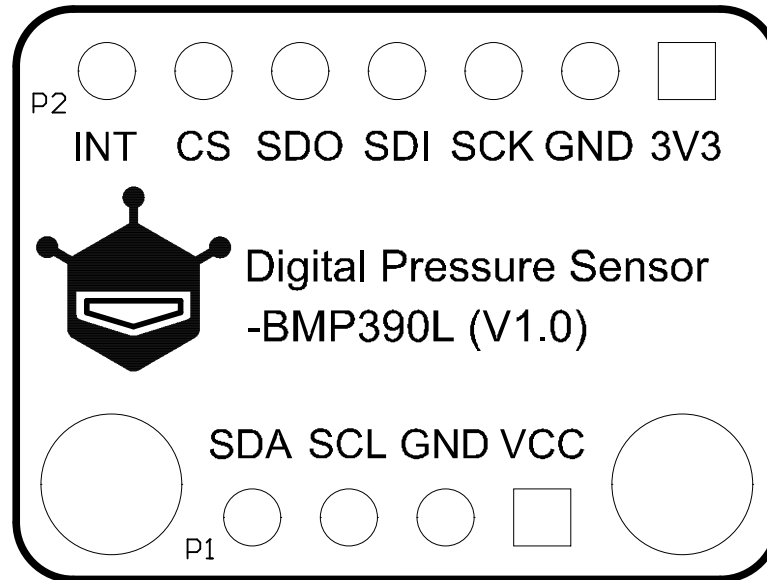
Top SolderMask: Black

Bottom SolderMask: Black

Date: 20210525

Top Silkscreen: White

Bottom Silkscreen: White



PCB Information

Name:[SEN0423](V1.0)

Thickness: 1.0mm

Engineer:Aaron

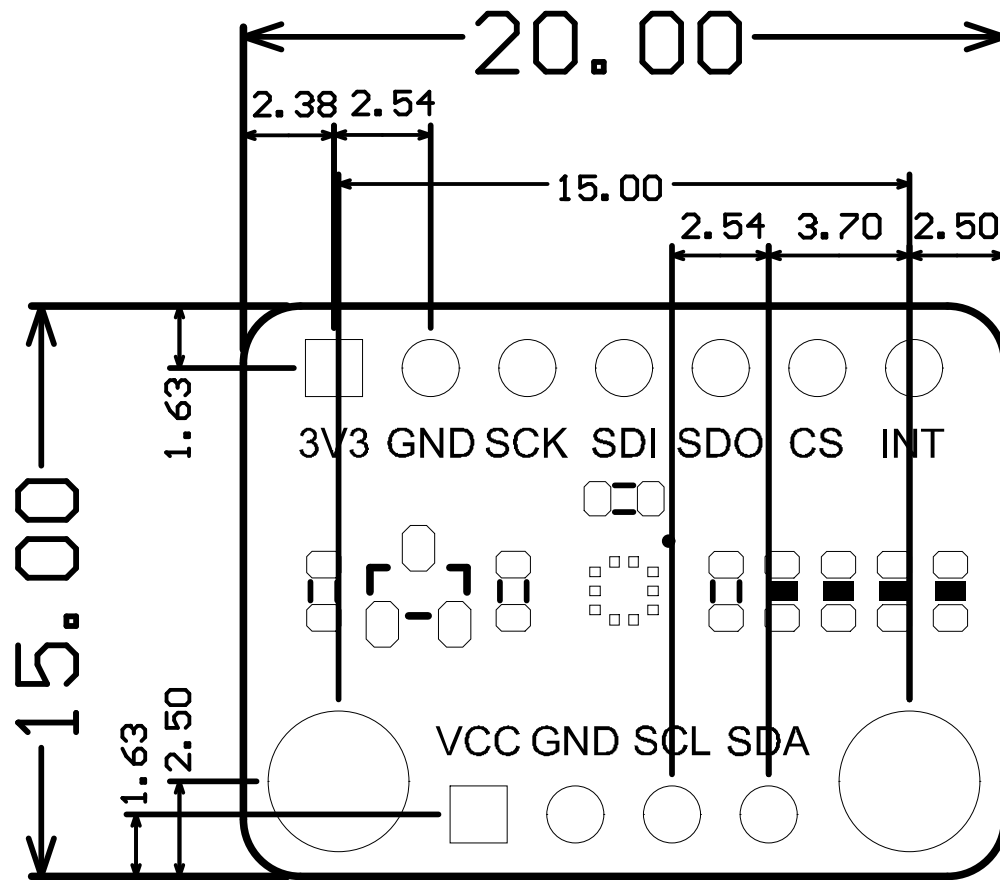
Top SolderMask: Black

Bottom SolderMask: Black

Date: 20210525

Top Silkscreen: White

Bottom Silkscreen: White



PCB Information

Name:[SEND423](V1.0)

Thickness: 1.0mm

Engineer:Aaron

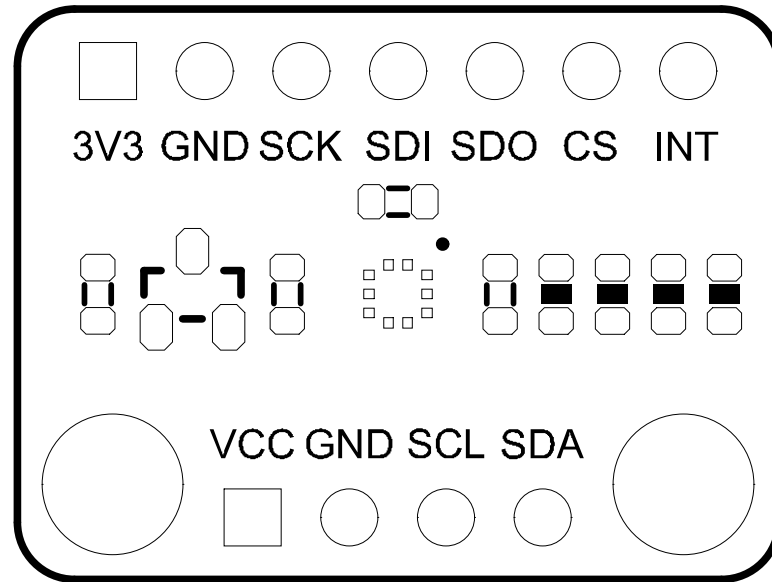
Top SolderMask: Black

Bottom SolderMask: Black

Date: 20210525

Top Silkscreen: White

Bottom Silkscreen: White



PCB Information

Name:[SEND423](V1.0)

Thickness: 1.0mm

Engineer:Aaron

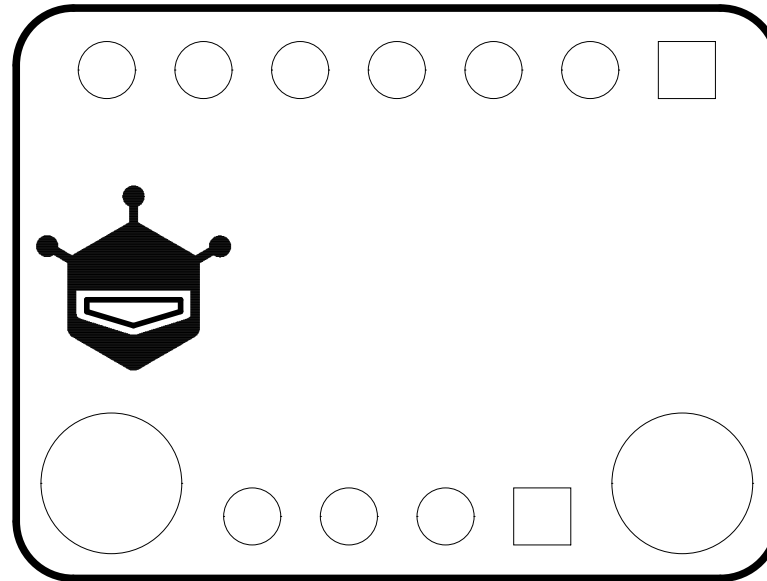
Top SolderMask: Black

Bottom SolderMask: Black

Date: 20210525

Top Silkscreen: White

Bottom Silkscreen: White



PCB Information

Name:[SEN0423](V1.0)

Thickness: 1.0mm

Engineer:Aaron

Top SolderMask: Black

Bottom SolderMask: Black

Date: 20210525

Top Silkscreen: White

Bottom Silkscreen: White