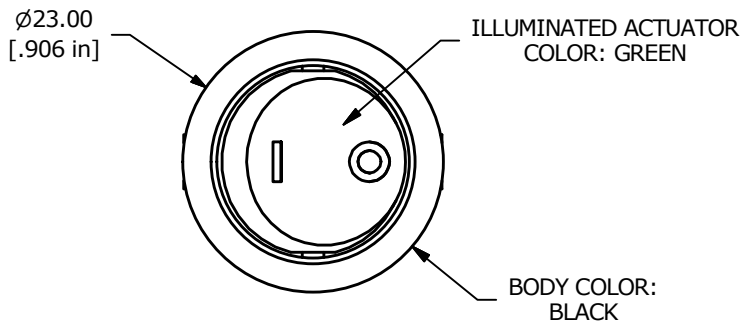
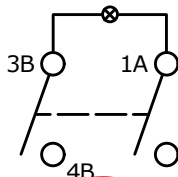


▲ PANEL CUTOUT

PANEL THICKNESS	(X) DIM.
0.75 TO 1.25	20.2mm
1.25 TO 2.00	20.4mm
2.00 TO 3.00	20.6mm



SWITCH FUNCTION	
POS. 1	POS. 2
OFF	ON
OPEN	3B-4B, 1A-2A



▲ CIRCUIT:
 FUNCTION:
 OFF - ON

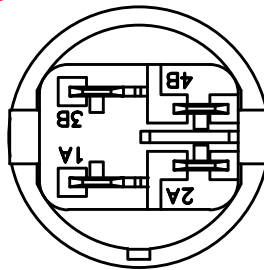
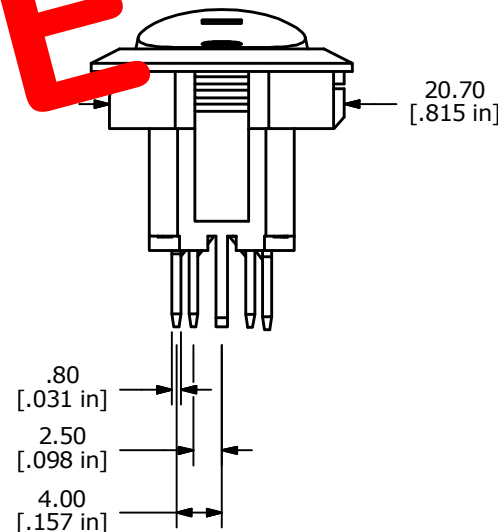
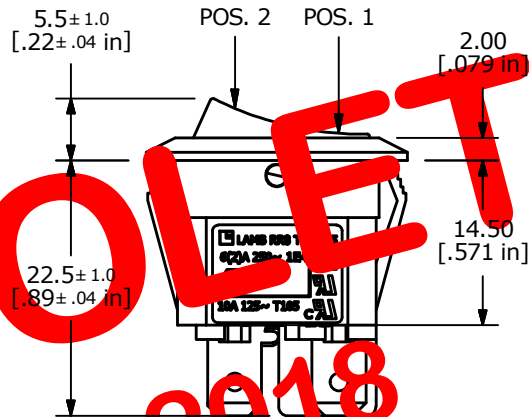
NOTE:

- DIMENSIONS IN MM [INCH]
- GENERAL TOLERANCE: X.X = ± 0.4
X.XX = ± 0.25
- TERMINAL NUMBERS FOR REF ONLY
- CONTACT MATERIAL: SILVER
- CONTACT RATING: 10A 125VAC [UL, cUL]
6(2)A @ 250V~ μ 1E4 T125/55 [ENEC14]
- CONTACT RESISTANCE: 35mΩ MAX. @ 50VAC
- INSULATION RESISTANCE: 100MΩ MIN. @ 500VAC
- DIELECTRIC STRENGTH: 1,500VAC FOR 1 MINUTE
- ELECTRICAL LIFE: 6,000 CYCLES [UR, cUR]
10,000 CYCLES [ENEC14: 10(4)A 250V~]
- OPERATING TEMPERATURE: -20°C TO 105°C [UR, cUR]
-20°C TO 125°C [ENEC14]
- ▲ DENOTES CRITICAL PARAMETER
- 2011/65/EU (ROHS) COMPLIANT
- ▲ LENS COLOR, GREEN
- ▲ LAMP VOLTAGE, 12V

OBSOLETE

July 2018

PCR 23477



C	22414	UPDATED CONTACT RATING	7/28/16	MJR
B	22401	ADDED BOTTOM VIEW	7/22/16	MJR
A	20524	RELEASE FOR PRODUCTION	3/8/12	MM
REV	PCR NO	DESCRIPTION	DATE	BY



TITLE RR8123102R-134				
SCALE	DATE	DR	DWG	REV
3:2	3/8/2012	BGL	38-RR8123102R134	C

THE INFORMATION CONTAINED IN THIS DOCUMENT IS PROPRIETARY TO E-SWITCH AND IS NOT TO BE COPIED OR TRANSFERRED