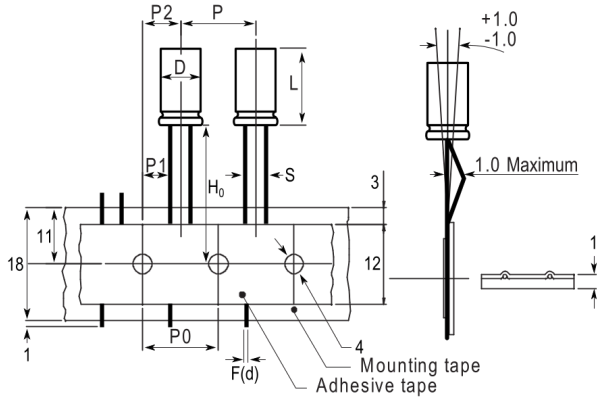


Straight Leads Diameter > 8
Lead and packaging code EA and KA



Note: '(j)' correspond to the letters used in the product bulletin

Click [here](#) for the 3D model.

Dimensions

D	13mm +/-0.5mm
L	20mm +2mm
S	5mm +/-0.5mm
LL Negative	15mm MIN
LL Positive	20mm MIN
F	0.6mm NOM

Packaging Specifications

Packaging	Ammo
Packaging Quantity	500

General Information

Series	ESY
Dielectric	Aluminum Electrolytic
Description	LowZ Single Ended Aluminum Electrolytic
Features	Low Z
RoHS	Yes
Lead	Wire Leads
AEC-Q200	No

Specifications

Capacitance	680 uF
Capacitance Tolerance	20%
Voltage DC	35 VDC, 44 VDC (Surge)
Temperature Range	-40/+105°C
Rated Temperature	105°C
Life	5000 Hrs
Dissipation Factor	12%
Resistance	0.021 Ohms (100kHz)
Ripple Current	2360 mAmps (100kHz 105C)
Leakage Current	238 uA (2min 20°C)
Impedance Ratio at -25C	2
Impedance Ratio at -40C	3