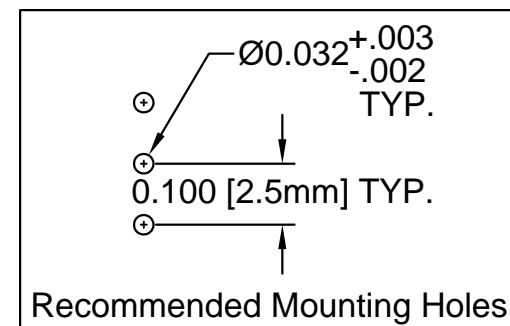
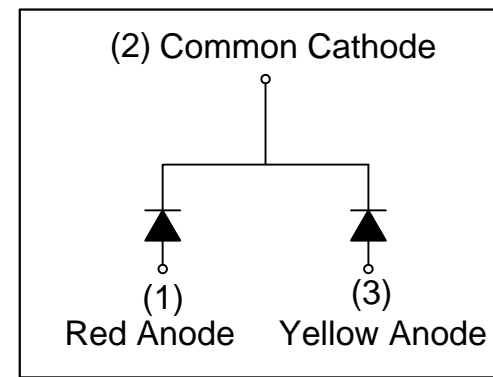
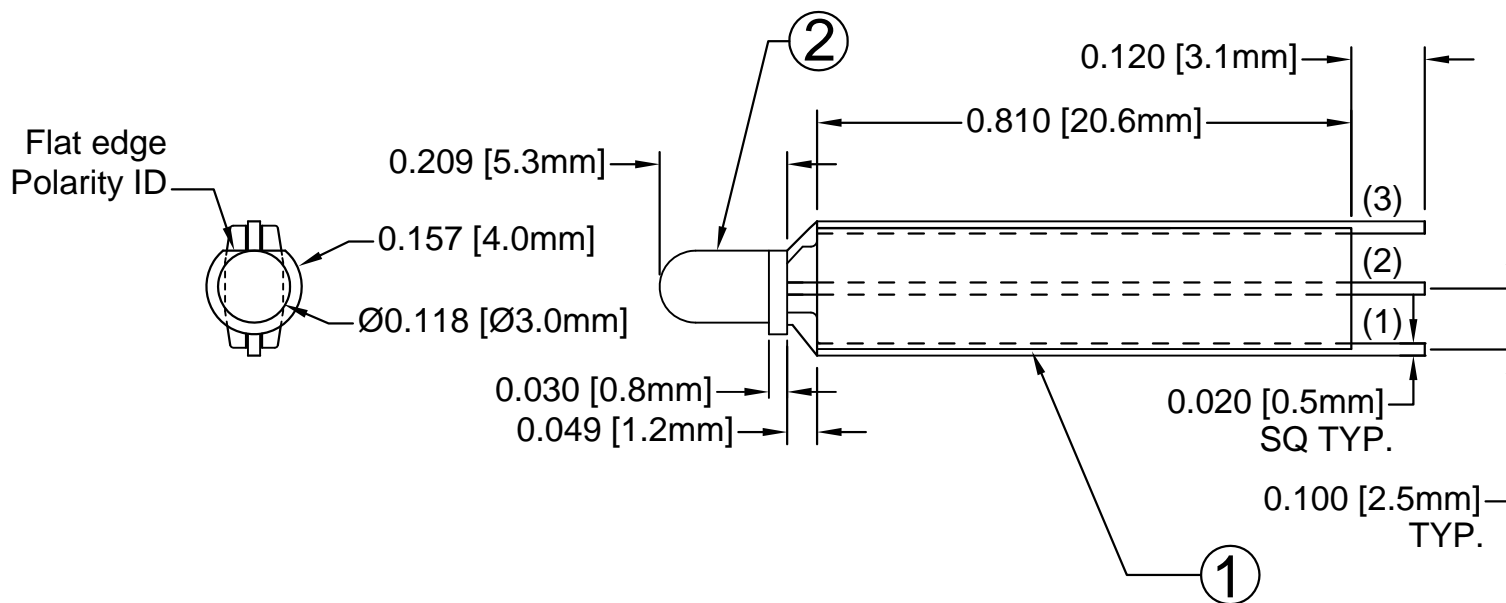


ITEM	QTY	PART NUMBER	PART DESCRIPTION
1	1	ERM 1-810	Extruded, Self-Retaining LED Holder, .810"
2	1	3BC-3-R/Y-F	T-1 (3mm) Flanged LED, Bi-Color

REV.	DESCRIPTION	DATE	APPROVED
A	Engineering Release	01/05/11	T. Y.
B	Engineering Update w/o Changes	05/25/16	J. C.



LED Part No.	Chip			Lens Appearance	Absolute Max. Ratings				Electro-Optical Data @ 20mA			Viewing Angle (Deg)
	Material	Peak Wave Length λ_p (nm)	Emitted Color		$\Delta\lambda$ (nm)	Pd (mW)	If (mA)	Peak If (mA)	Vf (V)		Iv (mcd)	
									TYP	MAX	TYP	
3BC-3-R/Y-F	GaAsP/GaP	625	RED	WHITE DIFFUSED	35	80	30	150	2.0	2.8	30	40
	GaAsP/GaP	590	YELLOW		35	80	30	150	2.0	2.8	20	

ABSOLUTE MAXIMUM RATINGS (Ta = 25°C)

OPERATING TEMPERATURE RANGE _____ -25°C ~ 85°C
 STORAGE TEMPERATURE _____ -30°C ~ 100°C
 LEAD SOLDERING TEMPERATURE (1/16" FROM BODY) _____ 260°C for 5 Seconds

STANDARD TOLERANCE (UNLESS OTHERWISE SPECIFIED)		 4 THOMAS, IRVINE, CA. 92618 TEL: (949) 951-8808 FAX: (949) 951-3974	
DECIMALS	ANGULAR		
.X ± .1	X° ± 1°	 TITLE: EXTRUDED, SELF-RETAINING LED HOLDER ASSY	
.XX ± .02			
.XXX ± .010			
DESIGNED: R. Paje	DATE: 01/05/11	PART NO: ERM18103BC-3-RY	
CHECKED: T. Yin	DATE: 01/05/11	REVISION: B	
		CAGE CODE : 32559 SHEET # 1 OF 1	
CAD GENERATED DOCUMENT. DO NOT MEASURE DRAWING.			