

4

3

2

1

THIS DRAWING IS UNPUBLISHED.

RELEASED FOR PUBLICATION

© COPYRIGHT

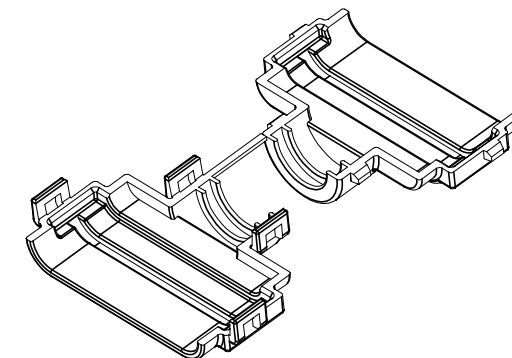
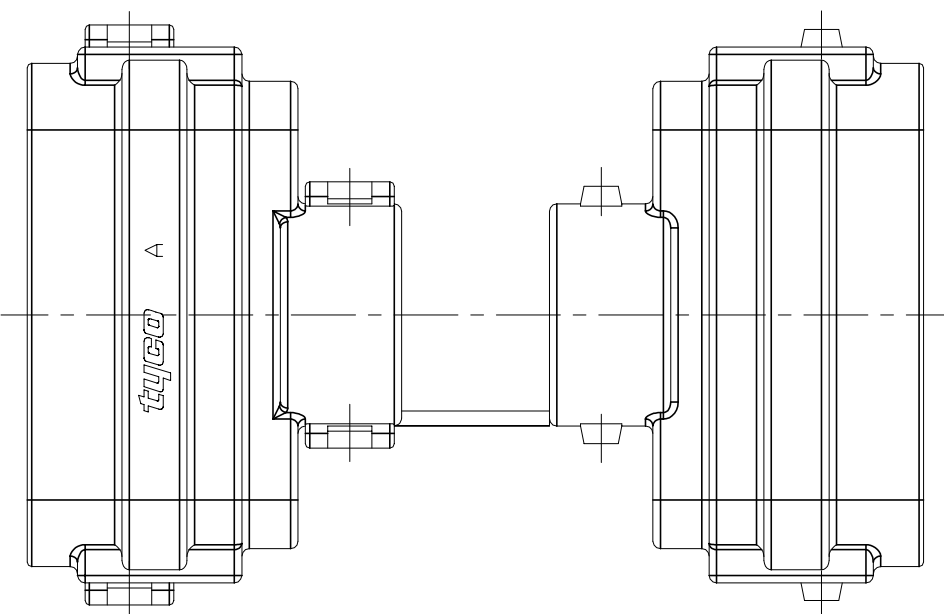
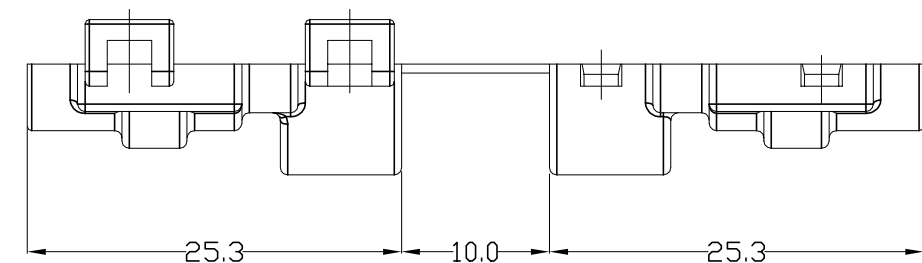
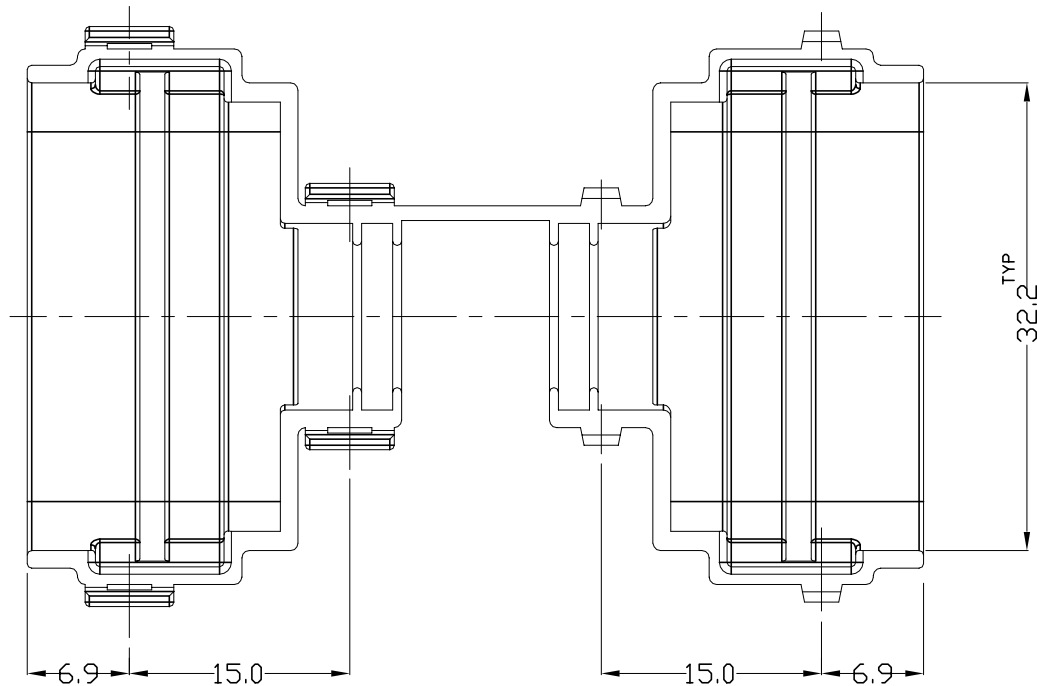
BY TYCO ELECTRONICS CORPORATION, ALL RIGHTS RESERVED.

LOC  
DS

DIST

REVISIONS

P	LTR	DESCRIPTION	DATE	DWN	APVD
A		REVISED (ECR-20-014410)	01.DEC.'20	CI	YJ
B		REVISED (ECR-21-103298)	24.MAY.'21	JU	JJ




3-D VIEW  
(SCALE 1/1)

NOTE ;

- GENERAL TOLERANCES :  $\pm 0.3$ ,  $\pm 3^\circ$ .
- 0.15 MAX. WARPAGE AND 0.2 MAX. FLASH ARE PERMISSIBLE
- APPLICABLE CORRUGATE TUBE :  $\phi 9.0$ mm.
- APPLICABLE CONN'R PART NO. : 936394
- APPLICABLE TEST SPEC : MS210-06-A2 (EXCEPT 4.4)

PA 66 703561-1	936398-2	BLACK
MATERIAL	PART NUMBER	COLOR

THIS DRAWING IS A CONTROLLED DOCUMENT FOR TYCO ELECTRONICS CORPORATION IT IS SUBJECT TO CHANGE AND THE CONTROLLING ENGINEERING ORGANIZATION SHOULD BE CONTACTED FOR THE LATEST REVISION.		DWN SJ CHOI		 TE Connectivity	
DIMENSIONS: MM		CHK JW JUNG			
TOLERANCES UNLESS OTHERWISE SPECIFIED:		APVD HG CHO		NAME	
0 PLC $\pm$		PRODUCT SPEC		COVER HSG FOR 2.8mm SEALED 6P PLUG CONN'R	
1 PLC $\pm$		APPLICATION SPEC		SIZE	
2 PLC $\pm$		WEIGHT		CAGE CODE	
3 PLC $\pm$		A3 00779		DRAWING NO	
4 PLC $\pm$		C- 936398		RESTRICTED TO	
ANGLES $\pm$		SCALE 2/1		SHEET 1 OF 1	
FINISH		REV B			
MATERIAL					
SEE TABLE					