

NOTE:

MATERIAL

HOUSING: TPU, BLACK
 CONTACT: BRASS
 NUT: BRASS
 O-RING: NBR, BLACK

FINISH

CONTACT: GOLD PLATED
 OVER 50µ NICKEL
 NICKEL PLATED

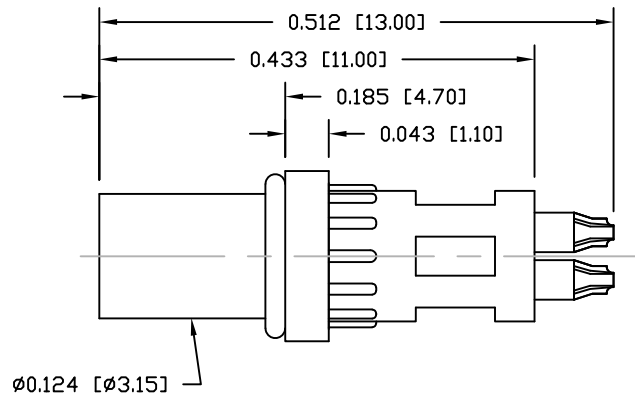
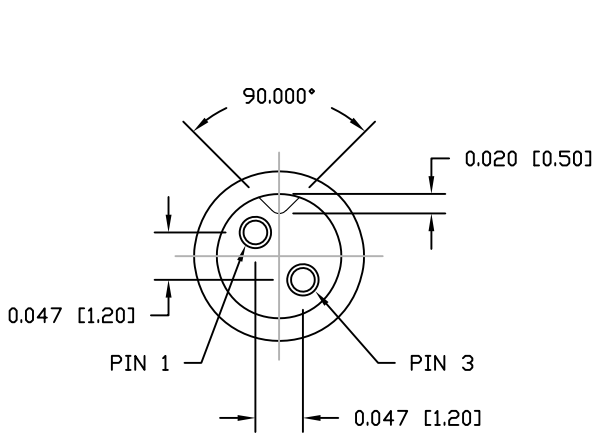
NUT:

ELECTRICAL

RATED CURRENT: 1A
 RATED VOLTAGE: 60V
 INSULATION RESISTANCE: 100 MΩhms MIN.
 CONTACT RESISTANCE: 10 mΩhms MAX.
 WATER PROOF: IP67

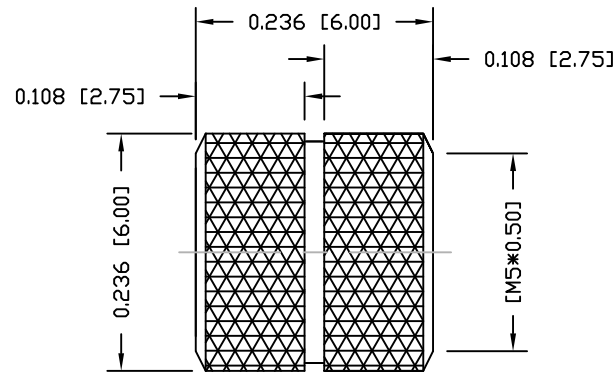
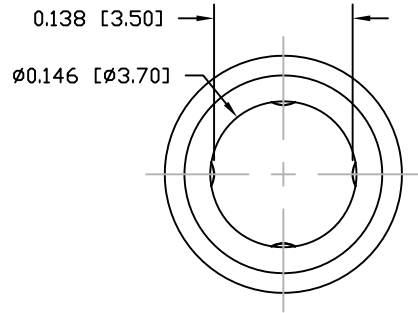
ENVIRONMENT

OPERATION TEMPERATURE: -40°C TO +85°C
 WIRE GAUGE: 26-28 AWG
 MATING TORQUE = 1.5 in lbs max.

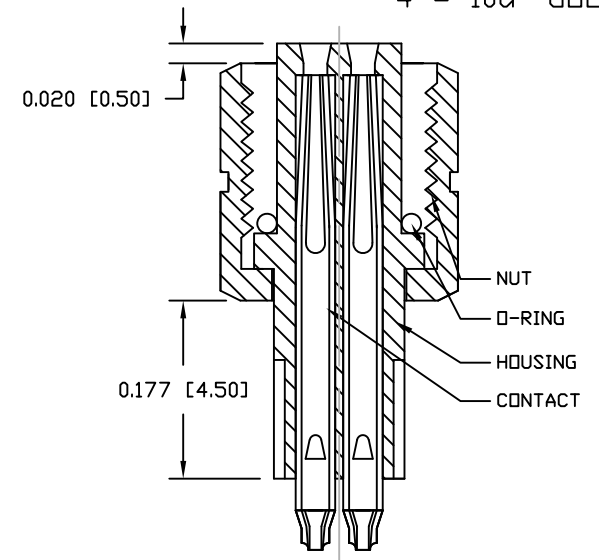


850-002-203RLUY

1 = GOLD FLASH
 4 = 10µ" GOLD



NUT



RoHS COMPLIANT

UNITS = inch [mm]

DO NOT SCALE FROM DRAWING



THESE DRAWINGS AND SPECIFICATIONS ARE THE PROPERTY OF NorComp AND SHALL NOT BE REPRODUCED, COPIED OR USED AS THE BASIS FOR THE MANUFACTURE OR SALE OF APPARATUS WITHOUT WRITTEN PERMISSION.

DRAWN:

M. SIGMON

DATE:

03-03-16

NorComp

SCALE:

NTS

SHEET

1

OF

1

REV

5

DWG NO.

850-002-203RLUY