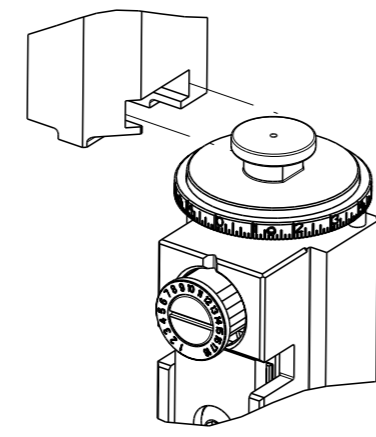


PART NUMBER	REVISION	DESCRIPTION	FEED TYPE
2150007-1	G	FINE CRIMP HEIGHT ADJUST	MECHANICAL
2150007-2	G	FINE CRIMP HEIGHT ADJUST	PNEUMATIC
7-2150007-1	G	MECHANICAL AND CRIMP TOOLING KIT	MECHANICAL
7-2150007-2	G	PNEUMATIC AND CRIMP TOOLING KIT	PNEUMATIC
7-2150007-7	A	CRIMP TOOLING KIT	-

ATLANTIC VERSION TERMINATOR INTERFACE ADAPTER



APPLICATOR DATA		
CRIMP	SIZE	TYPE
WIRE	2.29 mm [.090]	F
INSUL	3.56 mm [.140]	F
APPLICATOR INSTRUCTIONS 408-35043		

TERMINAL DATA: TE TERMINAL		TE CRIMP SPECIFICATION	
TERMINAL NAME: .187 SERIES FASTON RECEPTACLE			
WIRE STRIP LENGTH		INSULATION DIAMETER RANGE	
3.71-4.47 mm [.146-.176 IN]		Ø2.29-3.30 mm [.090-.130 IN]	
TERMINAL APPLICATION SPECIFICATION	(A)114-2036		
	(B)114-2065		

TERMINAL DATA: TE TERMINAL		TE CRIMP SPECIFICATION	
TERMINAL NAME: .187 SERIES FASTON RECEPTACLE			
WIRE STRIP LENGTH		INSULATION DIAMETER RANGE	
3.71-4.47 mm [.146-.176 IN]		Ø2.29-3.30 mm [.090-.130 IN]	
TERMINAL APPLICATION SPECIFICATION	(C)114-5084		

TERMINALS APPLIED			
TE TERMINAL	TE TERMINAL	TE TERMINAL	TE TERMINAL
(A) 42452-1	(A) 60196-1	(A) 61939-1	(A) 63751-1
(A) 42452-2	(A) 60196-2	(A) 62137-1	(A) 63654-1
(A) 42452-5	(A) 60196-5	(A) 62137-2	(A) 63850-1
(A) 1742841-1	(A) 60196-8	(A) 62865-1	(A) 63959-1
(A) 1742883-1	(A) 60214-1	(A) 63475-1	(A) 63970-1
(A) 42453-2	(A) 60214-2	(A) 63475-2	(A) 150666-1
(A) 42617-1	(A) 60214-3	(A) 63477-1	(A) 1-150681-1
(A) 42617-2	(A) 60621-1	(A) 63477-2	(A) 151322-1
(A) 42617-7	(A) 61084-1	(A) 63477-6	(A) 151923-1
(A) 42801-1	(A) 61758-1	(A) 154936-1	(A) 152357-1
(A) 42801-2	(A) 61758-2	(A) 63556-2	(A) 154514-1
(A) 42801-5	(B) 61919-1	(A) 63608-2	(A) 63751-2
(A) 2238198-3	(A)2238207-3		

TERMINALS APPLIED			
TE TERMINAL	TE TERMINAL	TE TERMINAL	TE TERMINAL
170037-1	170037-2	170037-3	170037-4
170037-5	170037-6	170037-9	

WIRE SIZE	CRIMP HEIGHT mm [INCH]	CRIMP HEIGHT REFERENCE SETTING
1.50mm2	1.60 +/- 0.05 [0.063 +/- .002]	2.6
16 AWG	1.52 +/- 0.05 [0.060 +/- .002]	3.2
1.25mm2	1.50 +/- 0.05 [0.059 +/- .002]	3.4
1.00mm2	1.42 +/- 0.05 [0.056 +/- .002]	4.0
18 AWG	1.35 +/- 0.05 [0.053 +/- .002]	5.0
0.75mm2	1.32 +/- 0.05 [0.052 +/- .002]	5.3
20 AWG	1.24 +/- 0.05 [0.049 +/- .002]	6.1
0.50mm2	1.22 +/- 0.05 [0.048 +/- .002]	6.3

WIRE SIZE	CRIMP HEIGHT mm [INCH]	CRIMP HEIGHT REFERENCE SETTING
1.25mm2	1.42 +/- 0.05 [0.056 +/- .002]	4.0
0.75mm2	1.24 +/- 0.05 [0.049 +/- .002]	6.1
0.50mm2	1.14 +/- 0.05 [0.045 +/- .002]	7.3

- 1 RECOMMENDED SPARE PARTS
 - 2 REFER TO SUPPLIED INSTRUCTION SHEET FOR CLEANING, LUBRICATION & STORAGE OF APPLICATOR.
 - 3 APPLY PART NUMBER 2-23419-6 LOCTITE TO THREADS OF ITEM 242. APPLY PART NUMBER 1-23419-5 LOCTITE TO THREADS OF ITEM 50.
 - 4 CRIMP HEIGHT REFERENCE SETTING WAS THE SETTING USED WHEN THE APPLICATOR WAS QUALIFIED AT THE FACTORY. ADJUSTMENT MAY BE NECESSARY WHEN RUNNING APPLICATOR IN THE FIELD.
 - 5 INSULATION RANGE FOR TERMINAL 62137 ONLY IS 1.52 - 2.79 mm [0.060 - .110 IN]
 - 6 WITH THE EXCEPTION OF TERMINAL 62137, THE MIN INSULATION DIAMETER THAT CAN BE APPLIED SUCCESSFULLY IS 1.70 mm [0.067 IN]
 - 7 CERTAIN TERMINALS REQUIRE LUBRICATION REFER TO THE APPLICATOR INSTRUCTION SHEET FOR MORE INFORMATION.
 - 8 CUT TO LENGTH AT ASSEMBLY
9. UNLESS SPECIFIED OTHERWISE TORQUE VALUES SHALL BE USED PER DOCUMENT 101-35000.

***WARNING**
ON INSTALLATION, SET WIRE DISC TO CRIMP HEIGHT REFERENCE SETTING FOR LARGEST WIRE SIZE. CRIMP HEIGHT REFERENCE SETTINGS GREATER THAN THE VALUE SHOWN MAY CAUSE DAMAGE TO THE CRIMP TOOLING. REFER TO THE INSTRUCTION SHEET FOR PROPER SETUP AND ADJUSTMENTS.

LOC	DIST	REVISIONS			
		REV	DATE	BY	APPV
A	66	E1	20MAR2019	JAH	GB
		E2	16AUG2019	FZ	RR
		F	10DEC2020	FZ	TE
		G	24JUN2022	FZ	GB

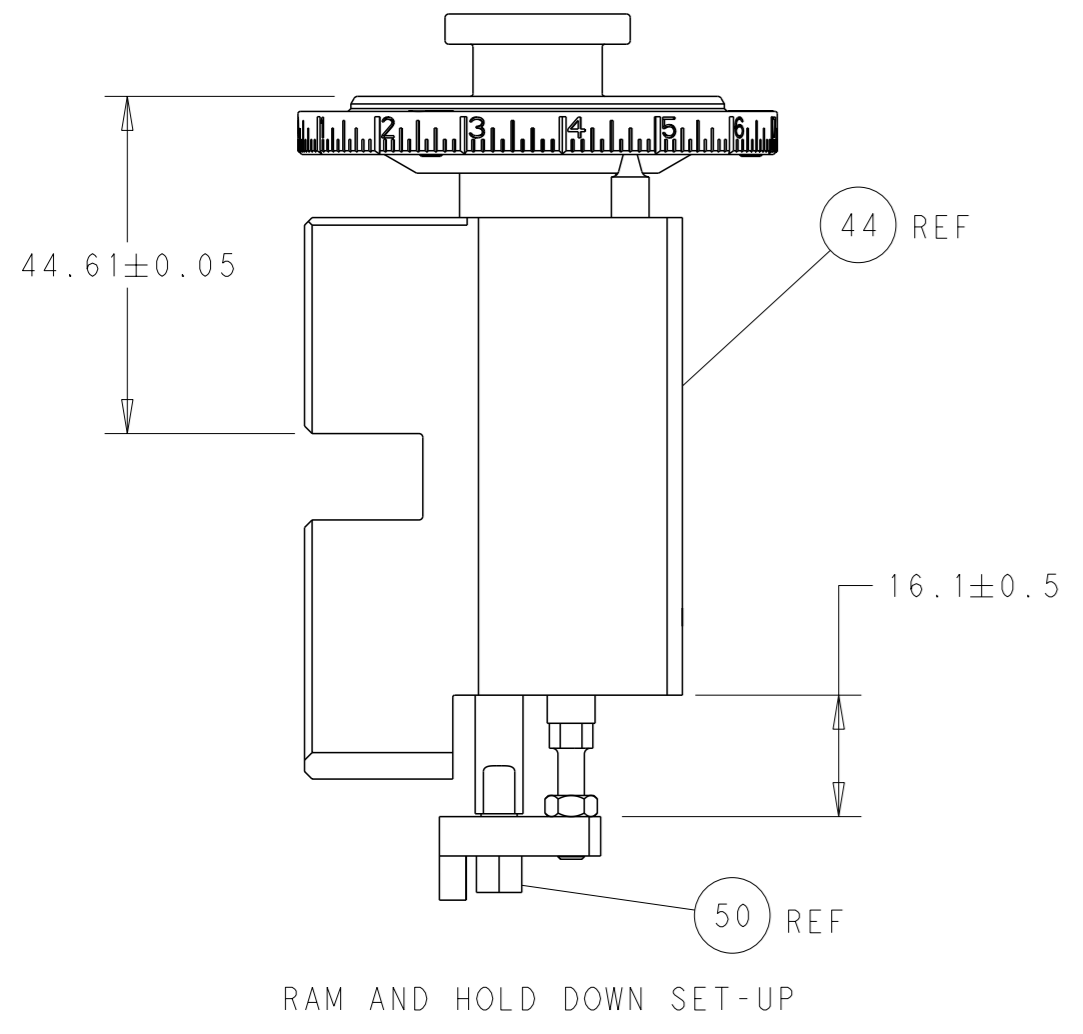
-	1	-	1	-	2119641-1	FEED CAM, AIR FEED	248	
-	1	1	1	1	2119082-9	CAM, SNAIL, INSULATION ADJUSTMENT	244	
-	1	1	1	1	2079764-1	WASHER, WAVE SPRING, CREST-TO-CREST	243	
-	1	1	1	1	2119083-1	RETAINER, INSULATION DIAL	242	
-	-	1	-	1	2119580-1	MECHANICAL FEED ASSEMBLY	239	
-	1	-	1	-	2844940-3	AIR FEED MODULE	238	
-	1	1	1	1	1-18028-0	WASHER, FLAT, REG M8	192	
-	1	1	1	1	6-993111-6	PIN, SLOTTED SPRING 3.0 X 14.0	177	
-	1	1	1	1	8-22280-7	SPRING, COMPRESSION	176	
-	1	1	1	1	1752353-2	GUIDE PIN, HOLDDOWN	175	
-	1	1	1	1	1901680-2	GUIDE PIN, HOLDDOWN	174	
-	REF	REF	REF	REF	994970-2	COUNTER, MAGNETIC	164	
-	1	1	1	1	2119955-2	ASSY, LUBRICATOR, END FEED	84	
-	1	1	1	1	455888-4	SPACER, CRIMPER	82	
-	1	1	1	1	2119791-9	DEPRESSOR, WIRE	73	
-	1	1	1	1	1803607-4	DOCUMENTATION PACKAGE	71	
-	2	2	2	2	2-18032-2	SCR, SET, FLT PNT, M3 X 10.0	70	
-	1	1	1	1	2119740-1	TAG, IDENTIFICATION	67	
-	2	2	2	2	2168078-1	SCREW, DRIVE, RH, RoHS, 2 x .188	66	
-	1	1	1	1	1-1901681-8	HOLDDOWN, TERMINAL	65	
-	2	2	2	2	2168400-5	SHCS, LOW HEAD, RoHS, M4 X 20	64	
-	1	1	1	1	2168083-2	SCR, SKT HD CAP, RoHS, M4 X 8.0	60	
-	1	1	1	1	5-18022-5	SCR, HEX HD CAP, M4 X 6.0	59	
-	-	1	-	1	2063961-1	FEED FINGER	58	
-	3	3	3	3	2168400-4	SHCS, LOW HEAD, RoHS, M4 X 8	57	
-	2	2	2	2	1-2168083-0	SCR, SKT HD CAP, RoHS, M4 X 10	56	
-	2	2	2	2	5018030-1	NUT, HEX, REG, RoHS, M3	54	
-	2	2	2	2	986965-8	NUT, LOCK, HEX, TORQUE (M4)	53	
-	1	1	1	1	1-5018030-0	NUT, HEX, REG, RoHS, M3.5	52	
-	1	-	1	-	2063961-1	FEED FINGER	51	
-	1	1	1	1	1752354-4	STANDOFF, HOLD-DOWN	50	
-	1	2	1	2	18023-9	SCR, SKT HD CAP M4 X 6.0	49	
-	-	1	-	1	2119652-1	FEED CAM, PRE FEED	48	
-	-	1	-	1	2119653-1	FEED CAM, POST FEED	47	
-	1	1	1	1	2119655-5	APPLICATOR BASIC ASSEMBLY, EF	46	
-	1	1	1	1	1803517-1	RAM ASSEMBLY, EF ATLANTIC	44	
-	1	1	1	1	1803602-1	SCR, BHSC, RoHS (M8 X 25)	41	
-	7	7	7	7	1-18028-2	WASHER, FLAT, REG M4	33	
-	2	2	2	2	2168083-9	SCR, SKT HD CAP, RoHS, M4 X 20	31	
-	2	2	2	2	2168083-2	SCR, SKT HD CAP, RoHS, M4 X 8.0	29	
-	1	1	1	1	240639-1	STRIPPER (MACHINING)	27	
-	2	2	2	2	1-2168083-5	SCR, SKT HD CAP, RoHS, M4 X 30	25	
-	1	1	1	1	1-1752371-2	PLATE, STRIP GUIDE	24	
-	1	1	1	1	240825-1	PLATE, STRIP HOLD DOWN	23	
-	2	2	2	2	2-22281-3	SPRING, COMPRESSION	22	
-	1	1	1	1	1803292-4	DRAG	20	
-	2	2	2	2	1901259-5	GUIDE, LOWER STRIP	18	
-	4	4	4	4	1-2079383-1	SCR, BHSC, RoHS (M6 X 12)	17	
-	1	1	1	1	240644-5	PLATE, REAR SHEAR	11	
-	-	-	-	-	-	-	10	
-	1	1	1	1	690495-7	PLATE, FRONT SHEAR	9	
-	1	2	2	1	1333217-6	ANVIL, EF .090	8	
-	-	1	1	1	690474-8	BLADE, SLUG	7	
-	1	1	1	1	4-240641-6	SPACER	5	
-	1	1	1	1	238011-2	BLOCK, CRIMPER SPACER	4	
-	1	2	2	1	2-1633961-3	CRIMPER, INSULATION F PREMIUM	3	
-	-	-	-	-	-	-	2	
-	1	2	2	1	4-456406-7	CRIMPER, WIRE PREMIUM	1	
-	77	72	71	2	-1	PART NO	DESCRIPTION	ITEM NO

ATLANTIC VERSION
Shown on sheets 1 of 4 & 2 of 4
(Pacific version shown on sheets 3 of 4 & 4 of 4)

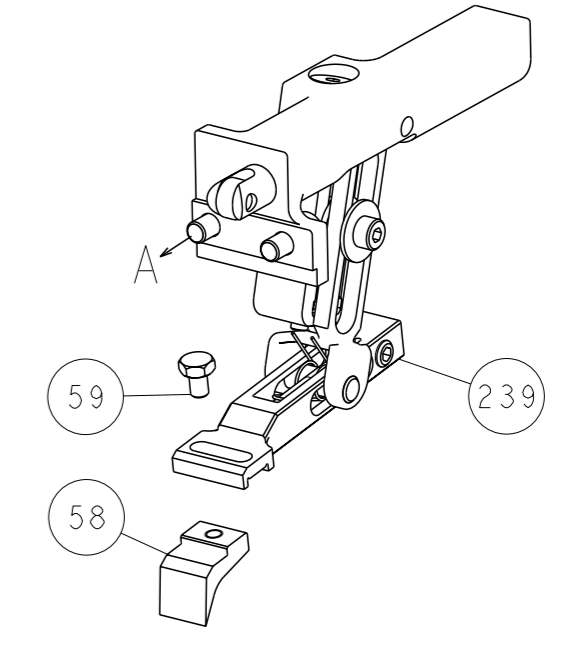
DIMENSIONS:		TOLERANCES UNLESS OTHERWISE SPECIFIED:		MATERIAL:	
mm	0 PLC ±	1 PLC ±	2 PLC ±	3 PLC ±	4 PLC ±
	ANGLES	FINISH			

OWN	B. WEAVER	16NOV2011	
CHK	G. BAILEY	16NOV2011	
APPV	G. BAILEY	16NOV2011	
PRODUCT SPEC			
APPLICATION SPEC			
SIZE	CAGE CODE	DRAWING NO	RESTRICTED TO
A1	00779	2150007	
Customer Accessible Production Drawing			SCALE 1:1 SHEET 1 of 4 REV G

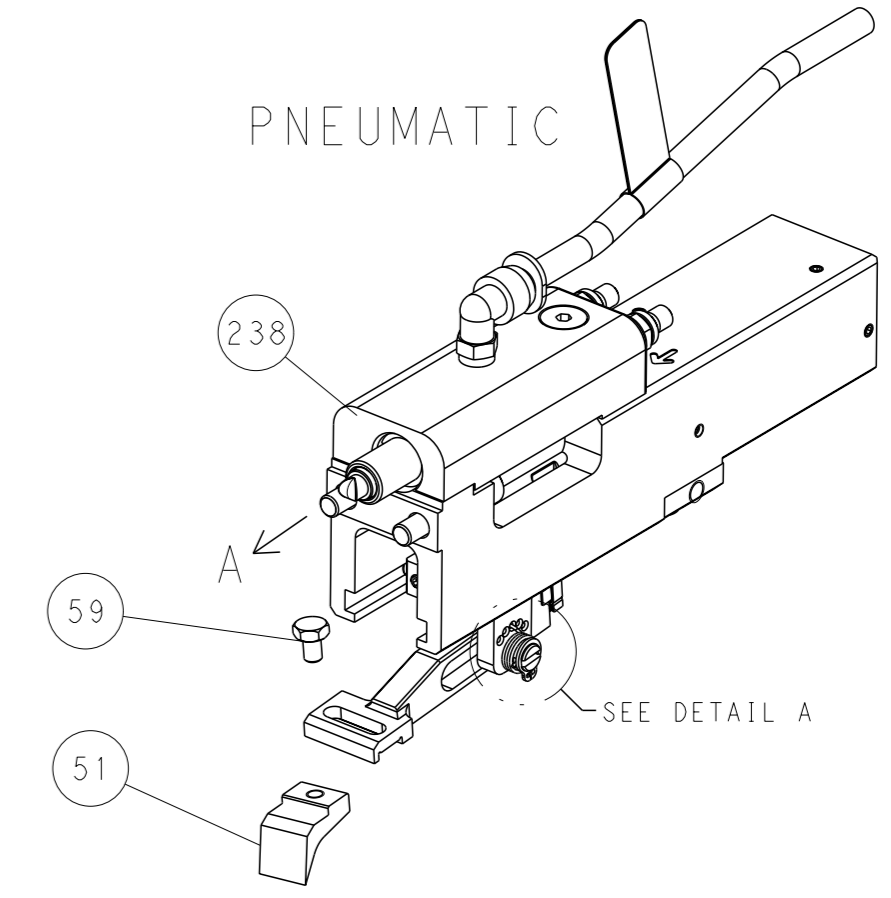
LOC	DIST	REVISIONS				
A	66	REV	DESCRIPTION	DATE	OWN	APVD
		-	SEE SHEET 1	-	-	-



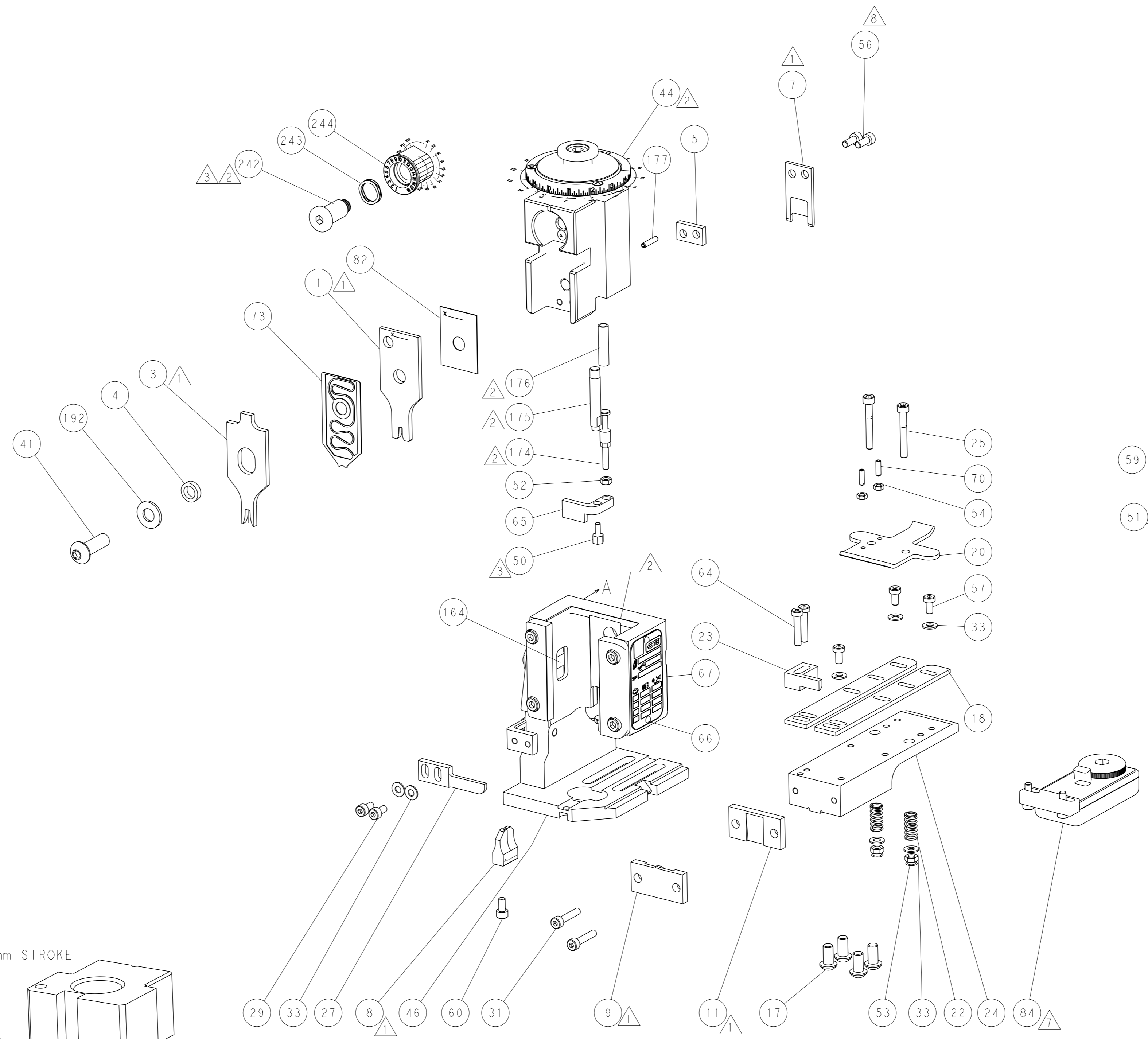
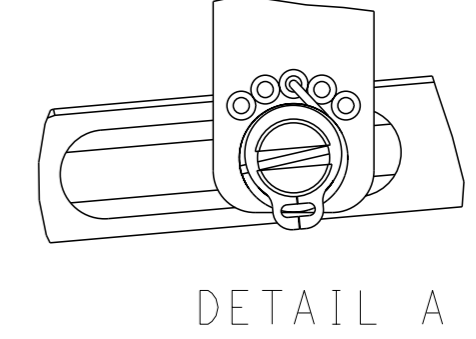
FEED TYPE MECHANICAL



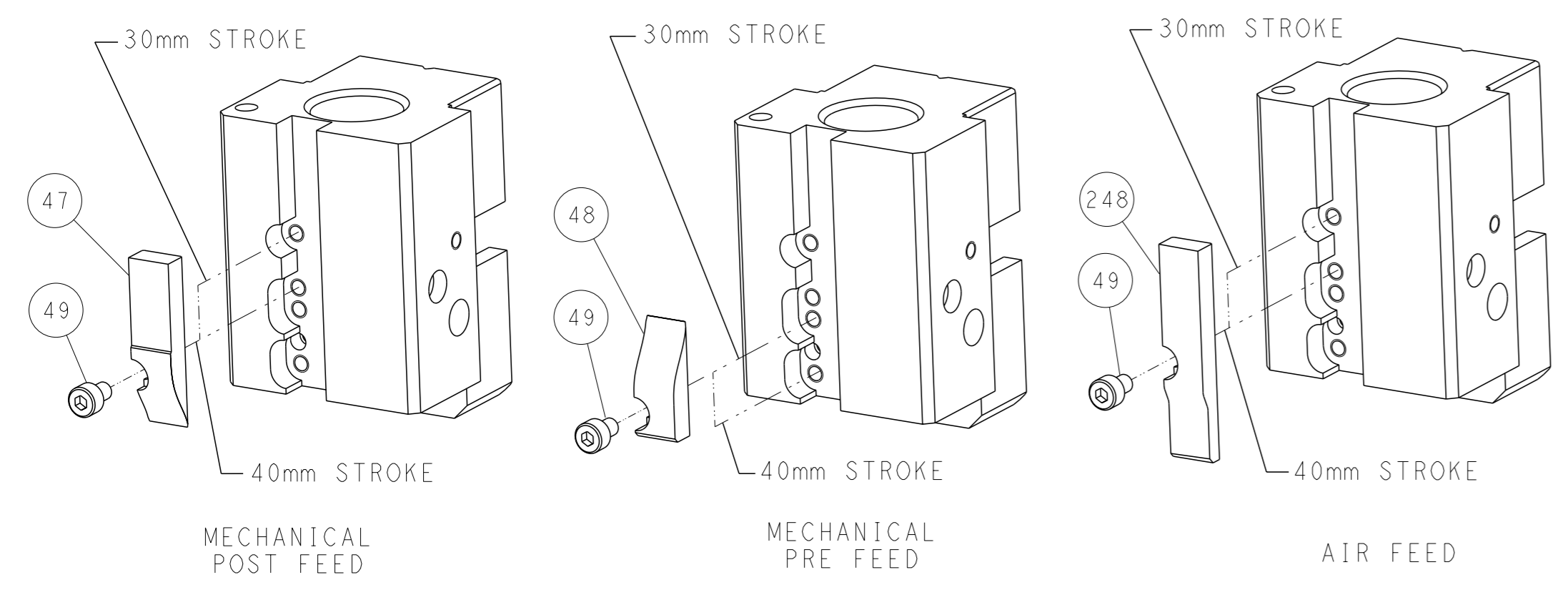
PNEUMATIC



FEED SPRING SETTING POSITION



CAM POSITIONS

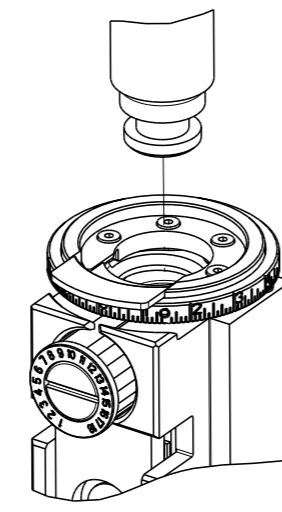


ATLANTIC VERSION
 Shown on sheets 1 of 4 & 2 of 4
 (Pacific version shown on sheets 3 of 4 & 4 of 4)

<small>THIS DRAWING IS UNPUBLISHED. RELEASED FOR PUBLICATION 2013 BY TYCO ELECTRONICS CORPORATION. ALL RIGHTS RESERVED.</small>		OWN: B. WEAVER CHK: G. BAILEY APVD: G. BAILEY	DATE: 16NOV2011 DATE: 16NOV2011 DATE: 16NOV2011	TE Connectivity Harrisburg, PA 17105-3608
DIMENSIONS: mm TOLERANCES UNLESS OTHERWISE SPECIFIED: 0 PLC ± 1 PLC ± 2 PLC ± 3 PLC ± 4 PLC ± ANGLES FINISH ±		NAME: Ocean End Feed Applicator SIZE: A1 CAGE CODE: 00779 DRAWING NO: C=2150007	RESTRICTED TO: - SCALE: 1:1 SHEET: 2 of 4 REV: G	CUSTOMER ACCESSIBLE PRODUCTION DRAWING

PART NUMBER	REVISION	DESCRIPTION	FEED TYPE
2-2150007-1	G	FINE CRIMP HEIGHT ADJUST	MECHANICAL
2-2150007-2	G	FINE CRIMP HEIGHT ADJUST	PNEUMATIC
7-2150007-7	A	CRIMP TOOLING KIT	-

PACIFIC VERSION TERMINATOR
INTERFACE ADAPTER



APPLICATOR DATA		
CRIMP	SIZE	TYPE
WIRE	2.29 mm [.090]	F
INSUL	3.56 mm [.140]	F
APPLICATOR INSTRUCTIONS 408-35043		

TERMINAL DATA: TE TERMINAL		TE CRIMP SPECIFICATION	
TERMINAL NAME: .187 SERIES FASTON RECEPTACLE			
WIRE STRIP LENGTH	INSULATION DIAMETER RANGE		
3.71-4.47 mm [.146-.176 IN]	Ø2.29-3.30 mm [.090-.130 IN]		
TERMINAL APPLICATION SPECIFICATION (A)114-2036	-		
(B)114-2065	-		

TERMINALS APPLIED			
TE TERMINAL	TE TERMINAL	TE TERMINAL	TE TERMINAL
(A) 42452-1	(A) 60196-1	(A) 61939-1	(A) 63751-1
(A) 42452-2	(A) 60196-2	(A) 62137-1	(A) 63654-1
(A) 42452-5	(A) 60196-5	(A) 62137-2	(A) 63850-1
(A) 1742841-1	(A) 60196-8	(A) 62865-1	(A) 63959-1
(A) 1742883-1	(A) 60214-1	(A) 63475-1	(A) 63970-1
(A) 42453-2	(A) 60214-2	(A) 63475-2	(A) 150666-1
(A) 42617-1	(A) 60214-3	(A) 63477-1	(A) 1-150681-1
(A) 42617-2	(A) 60621-1	(A) 63477-2	(A) 151322-1
(A) 42617-7	(A) 61084-1	(A) 63477-6	(A) 151923-1
(A) 42801-1	(A) 61758-1	(A) 154936-1	(A) 152357-1
(A) 42801-2	(A) 61758-2	(A) 63556-2	(A) 154514-1
(A) 42801-5	(B) 61919-1	(A) 63608-2	(A) 63751-2
(A) 2238198-3	(A)2238207-3		

WIRE SIZE	CRIMP HEIGHT mm [INCH]	CRIMP HEIGHT REFERENCE SETTING
1.50mm2	1.60+/-0.05 [.063+/-0.002]	2.6
16 AWG	1.52+/-0.05 [.060+/-0.002]	3.2
1.25mm2	1.50+/-0.05 [.059+/-0.002]	3.4
1.00mm2	1.42+/-0.05 [.056+/-0.002]	4.0
18 AWG	1.35+/-0.05 [.053+/-0.002]	5.0
0.75mm2	1.32+/-0.05 [.052+/-0.002]	5.3
20 AWG	1.24+/-0.05 [.049+/-0.002]	6.1
0.50mm2	1.22+/-0.05 [.048+/-0.002]	6.3

TERMINAL DATA: TE TERMINAL		TE CRIMP SPECIFICATION	
TERMINAL NAME: .187 SERIES FASTON RECEPTACLE			
WIRE STRIP LENGTH	INSULATION DIAMETER RANGE		
3.71-4.47 mm [.146-.176 IN]	Ø2.29-3.30 mm [.090-.130 IN]		
TERMINAL APPLICATION SPECIFICATION (C)114-5084	-		
TERMINALS APPLIED			
TE TERMINAL	TE TERMINAL	TE TERMINAL	TE TERMINAL
170037-1	170037-2	170037-3	170037-4
170037-5	170037-6	170037-9	

WIRE SIZE	CRIMP HEIGHT mm [INCH]	CRIMP HEIGHT REFERENCE SETTING
1.25mm2	1.42+/-0.05 [.056+/-0.002]	4.0
0.75mm2	1.24+/-0.05 [.049+/-0.002]	6.1
0.50mm2	1.14+/-0.05 [.045+/-0.002]	7.3

- 1 RECOMMENDED SPARE PARTS
- 2 REFER TO SUPPLIED INSTRUCTION SHEET FOR CLEANING, LUBRICATION & STORAGE OF APPLICATOR.
- 3 APPLY PART NUMBER 2-23419-6 LOCTITE TO THREADS OF ITEM 242. APPLY PART NUMBER 1-23419-5 LOCTITE TO THREADS OF ITEM 50.
- 4 CRIMP HEIGHT REFERENCE SETTING WAS THE SETTING USED WHEN THE APPLICATOR WAS QUALIFIED AT THE FACTORY. ADJUSTMENT MAY BE NECESSARY WHEN RUNNING APPLICATOR IN THE FIELD.
- 5 INSULATION RANGE FOR TERMINAL 62137 ONLY IS 1.52 - 2.79 mm [.060 - .110 IN]
- 6 WITH THE EXCEPTION OF TERMINAL 62137, THE MIN INSULATION DIAMETER THAT CAN BE APPLIED SUCCESSFULLY IS 1.70 mm [.067 IN]
- 7 CERTAIN TERMINALS REQUIRE LUBRICATION REFER TO THE APPLICATOR INSTRUCTION SHEET FOR MORE INFORMATION.
- 8 CUT TO LENGTH AT ASSEMBLY
- 9. UNLESS SPECIFIED OTHERWISE TORQUE VALUES SHALL BE USED PER DOCUMENT 101-35000.

*WARNING
ON INSTALLATION, SET WIRE DISC TO CRIMP HEIGHT REFERENCE SETTING FOR LARGEST WIRE SIZE. CRIMP HEIGHT REFERENCE SETTINGS GREATER THAN THE VALUE SHOWN MAY CAUSE DAMAGE TO THE CRIMP TOOLING. REFER TO THE INSTRUCTION SHEET FOR PROPER SETUP AND ADJUSTMENTS.

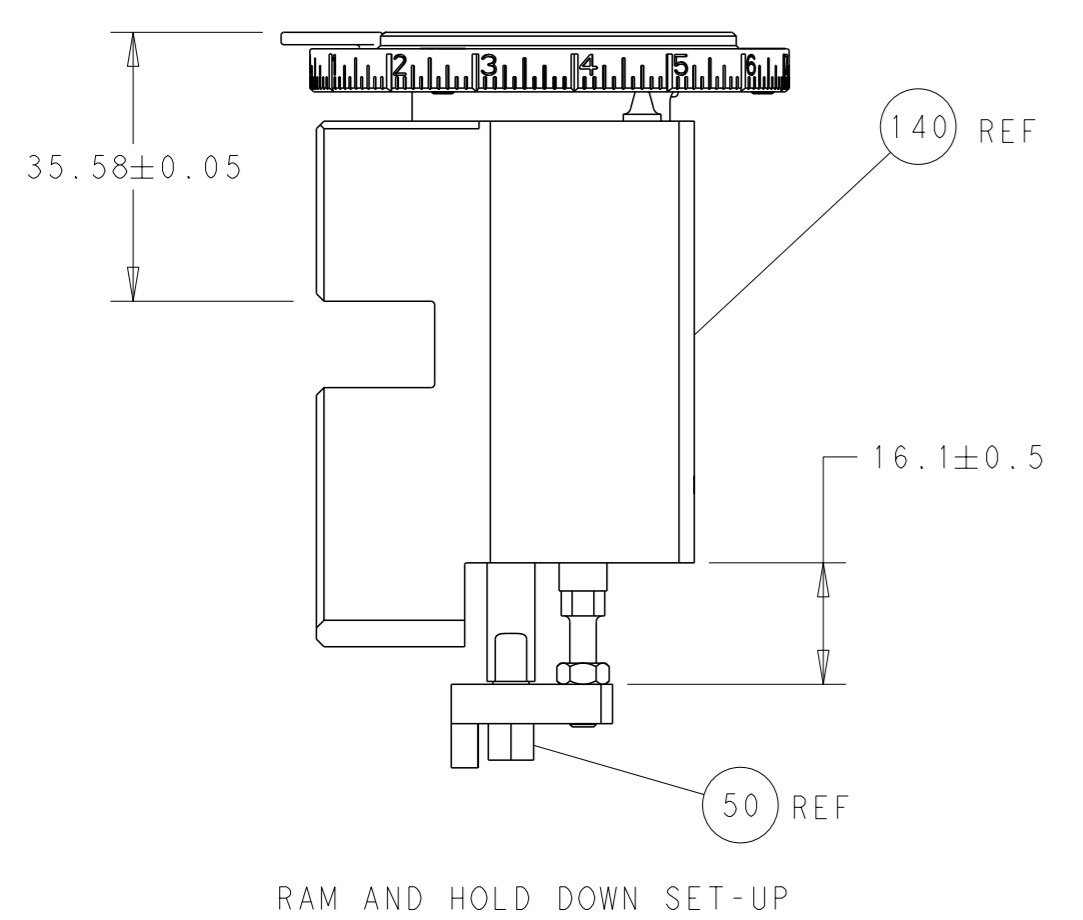
PACIFIC VERSION
Shown on sheets 3 of 4 & 4 of 4
(Atlantic version shown on sheets 1 of 4 & 2 of 4)

LOC	DIST	REVISIONS					
		P	LY#	DESCRIPTION	DATE	OWN	APVD
A	66	-	-	SEE SHEET 1	-	-	-

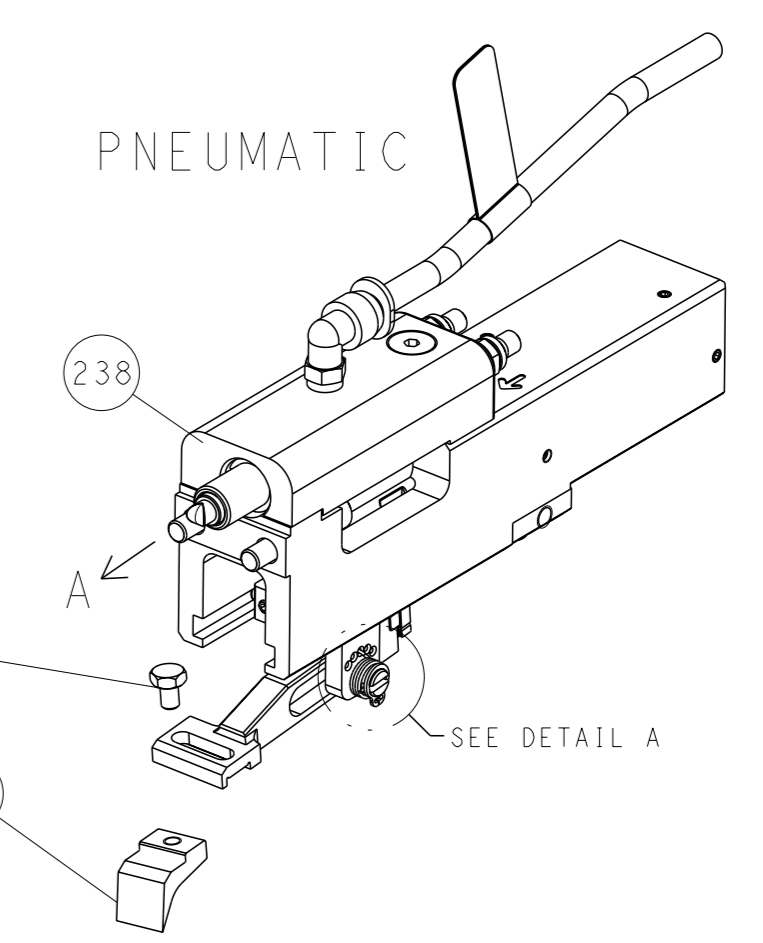
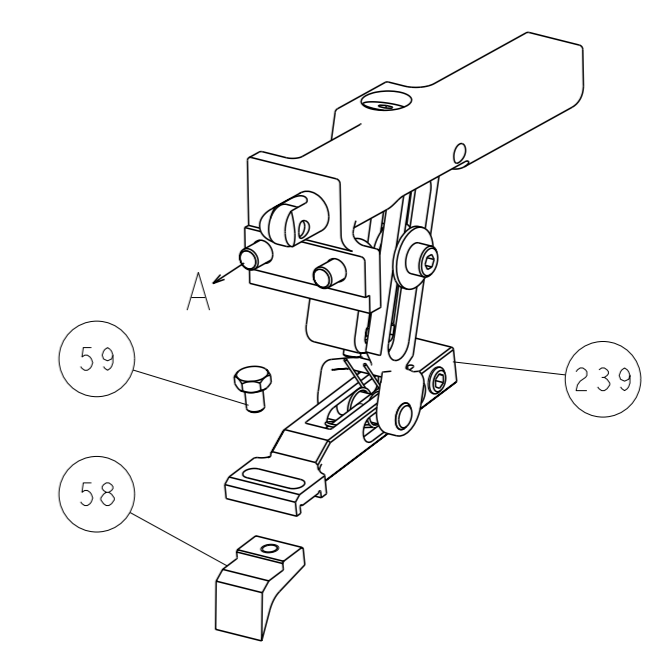
-	1	1	2119082-9	CAM, SNAIL, INSULATION ADJUSTMENT	244
-	1	1	2079764-1	WASHER, WAVE SPRING, CREST-TO-CREST	243
-	1	1	2119083-1	RETAINER, INSULATION DIAL	242
-	-	1	2119580-1	MECHANICAL FEED ASSEMBLY	239
-	1	-	2844940-3	AIR FEED MODULE	238
-	1	1	1-18028-0	WASHER, FLAT, REG M8	192
-	4	4	2079383-9	SCR, BHSC, RoHS (M6 X 20)	186
-	1	1	6-993111-6	PIN, SLOTTED SPRING 3.0 X 14.0	177
-	1	1	8-22280-7	SPRING, COMPRESSION	176
-	1	1	1752353-2	GUIDE PIN, HOLDDOWN	175
-	1	1	1901680-2	GUIDE PIN, HOLDDOWN	174
-	REF	REF	994970-2	COUNTER, MAGNETIC	164
-	1	-	2119641-2	FEED CAM, AIR FEED	152
-	1	1	2168083-8	SCR, SKT HD CAP, RoHS, M4 X 16	144
-	-	1	2119653-2	FEED CAM, POST FEED	142
-	1	1	2119655-6	APPLICATOR BASIC ASSEMBLY, EF	141
-	1	1	1803518-1	RAM ASSEMBLY, EF PACIFIC	140
-	1	1	2119955-2	ASSY, LUBRICATOR, END FEED	84
-	1	1	455888-4	SPACER, CRIMPER	82
-	1	1	2119791-9	DEPRESSOR, WIRE	73
-	1	1	1803607-4	DOCUMENTATION PACKAGE	71
-	2	2	2-18032-2	SCR, SET, FLT PNT, M3 X 10.0	70
-	1	1	2119740-1	TAG, IDENTIFICATION	67
-	2	2	2168078-1	SCREW, DRIVE, RH, RoHS, 2 x .188	66
-	1	1	1-1901681-8	HOLDDOWN, TERMINAL	65
-	2	2	2168400-5	SHCS, LOW HEAD, RoHS, M4 X 20	64
-	1	1	5-18022-5	SCR, HEX HD CAP, M4 X 6.0	59
-	-	1	2063961-1	FEED FINGER	58
-	3	3	2168400-4	SHCS, LOW HEAD, RoHS, M4 X 8	57
-	2	2	1-2168083-0	SCR, SKT HD CAP, RoHS, M4 X 10	56
-	2	2	5018030-1	NUT, HEX, REG, RoHS, M3	54
-	2	2	986965-8	NUT, LOCK, HEX, TORQUE (M4)	53
-	1	1	1-5018030-0	NUT, HEX, REG, RoHS, M3.5	52
-	1	-	2063961-1	FEED FINGER	51
-	1	1	1752354-4	STANDOFF, HOLD-DOWN	50
-	1	2	18023-9	SCR, SKT HD CAP M4 X 6.0	49
-	-	1	2119652-1	FEED CAM, PRE FEED	48
-	1	1	1803602-1	SCR, BHSC, RoHS (M8 X 25)	41
-	7	7	1-18028-2	WASHER, FLAT, REG M4	33
-	2	2	2168083-9	SCR, SKT HD CAP, RoHS, M4 X 20	31
-	2	2	2168083-2	SCR, SKT HD CAP, RoHS, M4 X 8.0	29
-	1	1	240639-1	STRIPPER (MACHINING)	27
-	2	2	1-2168083-5	SCR, SKT HD CAP, RoHS, M4 X 30	25
-	1	1	1-1752371-2	PLATE, STRIP GUIDE	24
-	1	1	240825-1	PLATE, STRIP HOLD DOWN	23
-	2	2	2-22281-3	SPRING, COMPRESSION	22
-	1	1	1803292-4	DRAG	20
-	2	2	1901259-5	GUIDE, LOWER STRIP	18
-	1	1	240644-5	PLATE, REAR SHEAR	11
-	-	-	-	-	10
-	1	1	690495-7	PLATE, FRONT SHEAR	9
1	1	1	1333217-6	ANVIL, EF .090	8
-	1	1	690474-8	BLADE, SLUG	7
-	1	1	4-240641-6	SPACER	5
-	1	1	238011-2	BLOCK, CRIMPER SPACER	4
1	1	1	2-1633961-3	CRIMPER, INSULATION F PREMIUM	3
-	-	-	-	-	2
1	1	1	4-456406-7	CRIMPER, WIRE PREMIUM	1

DIMENSIONS:		TOLERANCES UNLESS OTHERWISE SPECIFIED:		APPROVED:		NAME:	
mm	0 PLC ±	1 PLC ±	2 PLC ±	3 PLC ±	4 PLC ±	APVD	NAME
	ANGLES	FINISH					
MATERIAL:				WEIGHT:		SCALE: 1:1	
Customer Accessible Production Drawing				SHEET 3 of 4		REV G	

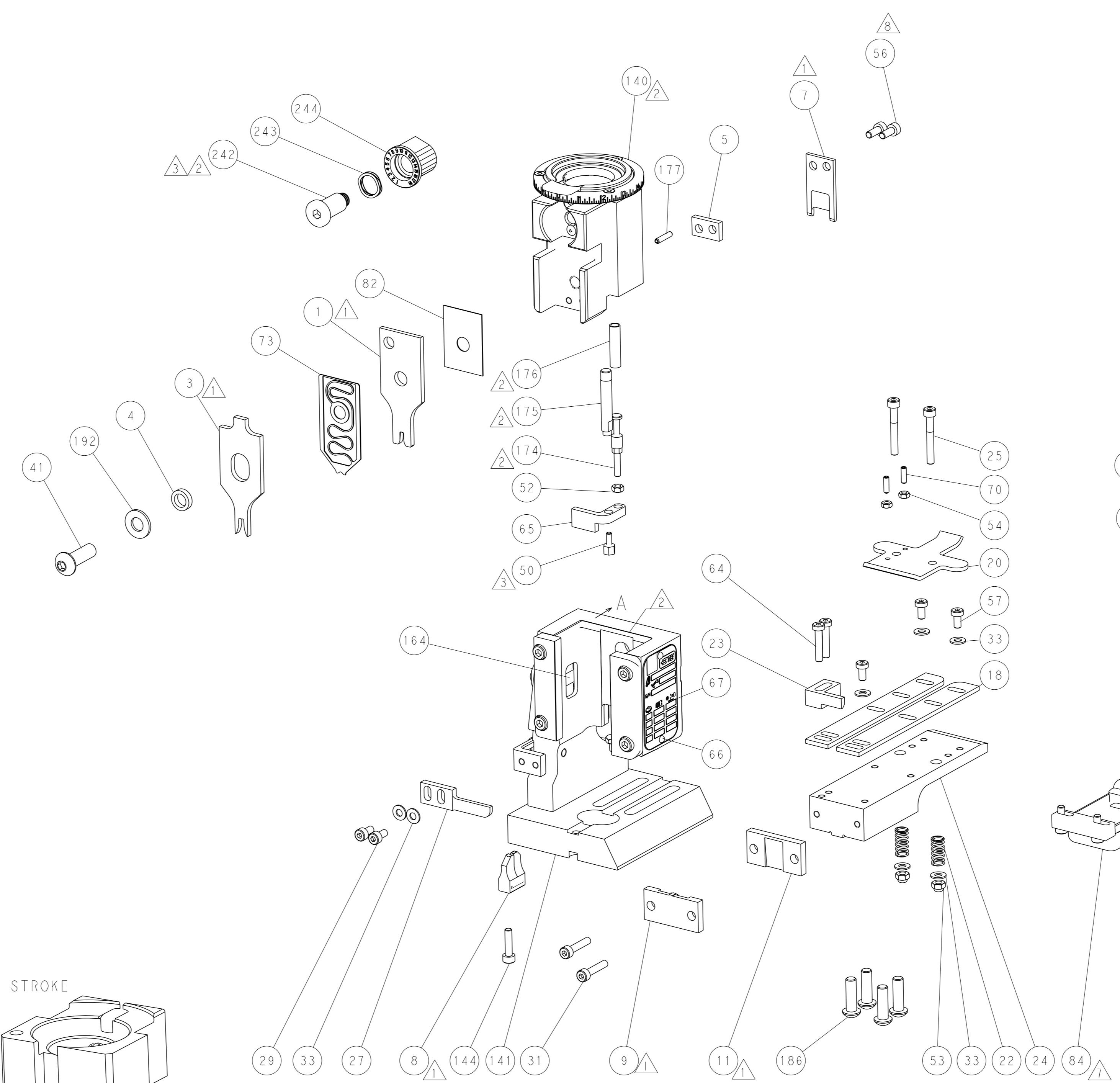
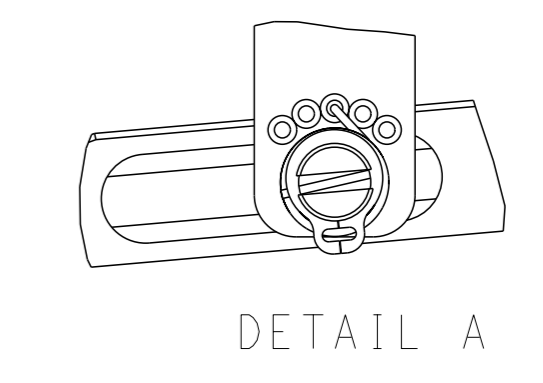
LOC		DIST		REVISIONS			
A	66	P	LYR	DESCRIPTION	DATE	OWN	APVD
		-		SEE SHEET 1			



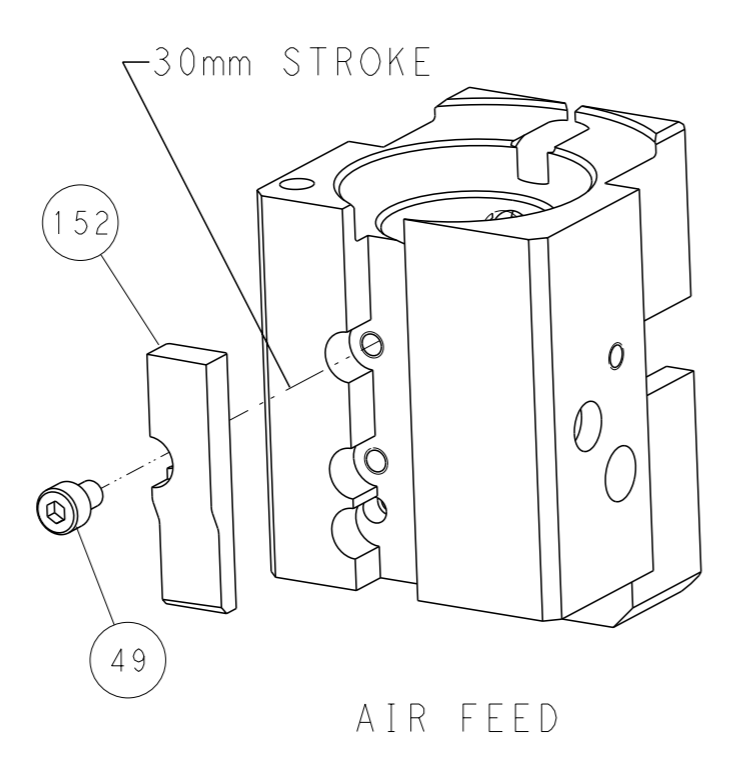
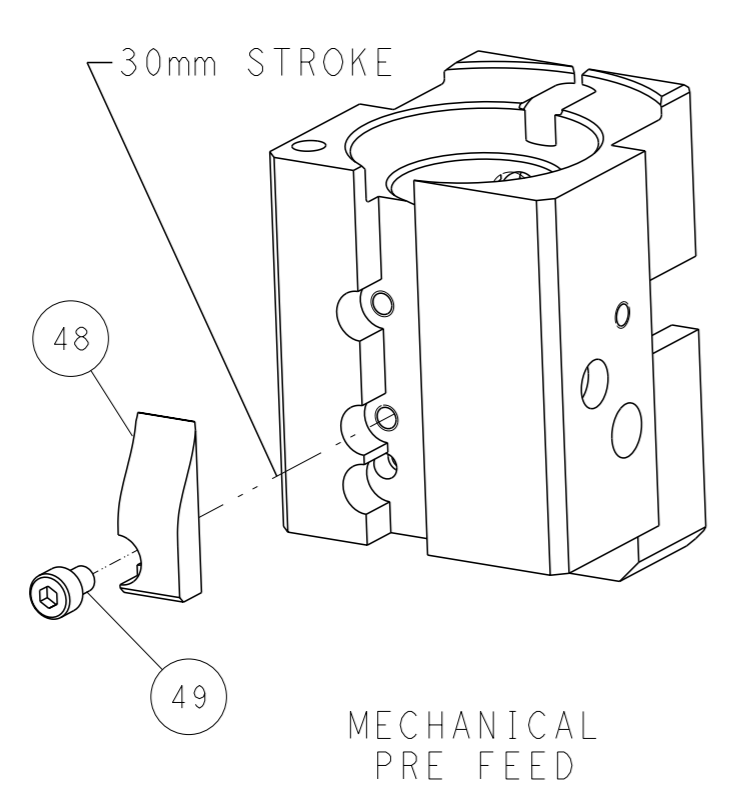
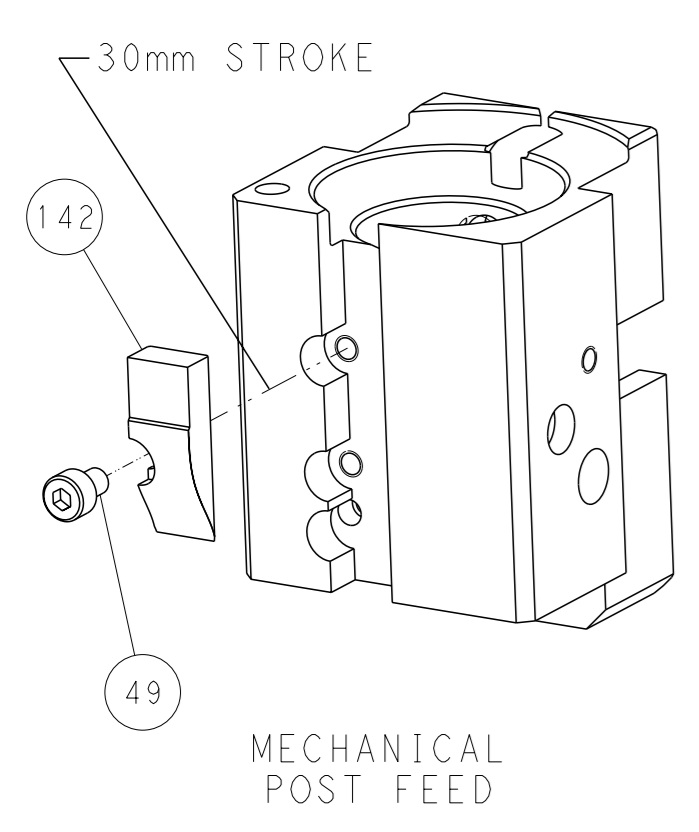
FEED TYPE MECHANICAL



FEED SPRING SETTING POSITION



CAM POSITIONS



PACIFIC VERSION
 Shown on sheets 3 of 4 & 4 of 4
 (Atlantic version shown on sheets 1 of 4 & 2 of 4)

<small>THIS DRAWING IS A CONTROLLED DOCUMENT FOR TYCO ELECTRONICS CORPORATION. IT IS SUBJECT TO CHANGE AND THE CONTROLLING ENGINEERING ORGANIZATION SHOULD BE CONTACTED FOR THE LATEST REVISION.</small>		OWN: B. WEAVER 16NOV2011 CHK: G. BAILEY 16NOV2011 APVD: G. BAILEY 16NOV2011	NAME: STE TE Connectivity Harrisburg, PA 17105-3608
DIMENSIONS: mm TOLERANCES UNLESS OTHERWISE SPECIFIED: 0 PLC ± 1 PLC ± 2 PLC ± 3 PLC ± 4 PLC ± ANGLES FINISH *	APPLICATION SPEC: - WEIGHT: - SCALE: 1:1	SIZE: A1 CAGE CODE: 00779 DRAWING NO: C=2150007	RESTRICTED TO: - SHEET 4 OF 4 REV G