

6

5

4

3

2

1

E

E

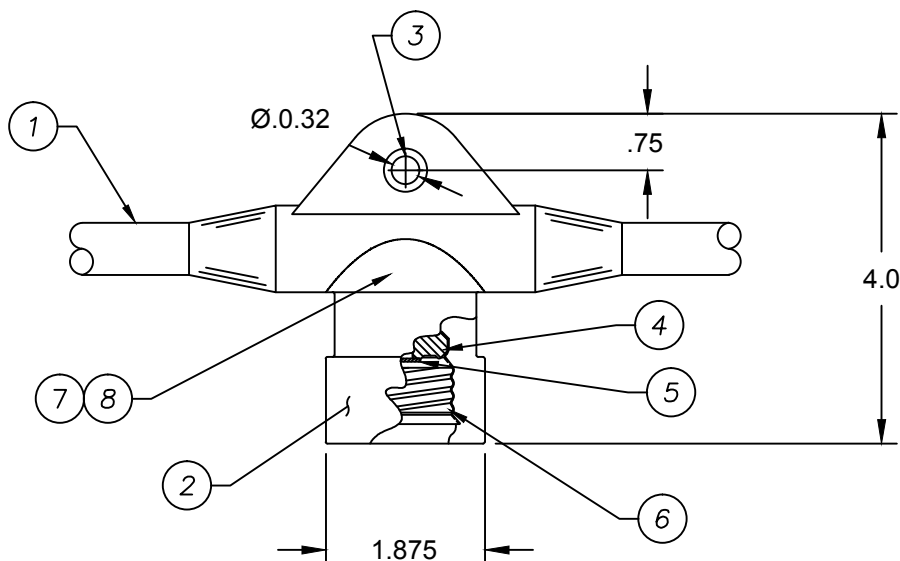
86.5 FT
REFERENCE15 FT. ± 6 IN.
LEAD1 FT. ± 2.0 IN.
71 PLACES6 IN.
TAIL[QTY-72] 323 MOLDED SOCKETS
COLOR: BLACK#12-3 SOOW CORD
COLOR: BLACK

D

D

C

C



323 DETAIL

ITEM	DESCRIPTION	MATERIAL
1	#12-3 BLACK CABLE	SOOW/COPPER
2	MOLDED SOCKETS BLACK	NITRILE/PVC
3	EYELET	BRASS
4	BUTTON WHITE	PORCELAIN
5	RIVET	BRASS
6	SCREWSHELL	COOPER
7	1 CONDUCTOR WIRE BLACK	NEOPRENE
8	1 CONDUCTOR WIRE WHITE	NEOPRENE

B

B

A

A

CUSTOMER APPROVAL DRWG	DESCRIPTION
EC NO: IFC2014-0028	DRWN: HRUIZ01 2013/07/02
CHKD: HKNEELAN	APPR: JFMURPHY 2014/01/28
REV	
A	

QUALITY SYMBOLS
▽=0
▽C=0

GENERAL TOLERANCES (UNLESS SPECIFIED)	
	mm
4 PLACES	±---
3 PLACES	±---
2 PLACES	±---
1 PLACE	±---
ANGULAR ±1/2°	
DRAFT WHERE APPLICABLE MUST REMAIN WITHIN DIMENSIONS	

DIMENSION STYLE INCH	
DRAWN BY	DATE
HRUIZ01	2013/07/02
CHECKED BY	DATE
HKNEELAN	2013/07/02
APPROVED BY	DATE
JFMURPHY	2014/01/28
MATERIAL NO.	130106-0178
SIZE	A

SCALE NTS	DESIGN UNITS INCH	THIRD ANGLE PROJECTION
TITLE STRNGLT 86.5' ALL BLK (72) 323 SCKTS, 1' SPNGS 15' LDR AND 6"TAIL		
MOLEX INCORPORATED		
MATERIAL NO.	DOCUMENT NO.	SHEET NO.
130106-0178	SD-130106-037	1 OF 1
THIS DRAWING CONTAINS INFORMATION THAT IS PROPRIETARY TO MOLEX INCORPORATED AND SHOULD NOT BE USED WITHOUT WRITTEN PERMISSION		

6

5

4

3

2

1