

Han 48 HPR frame for 4X650A male

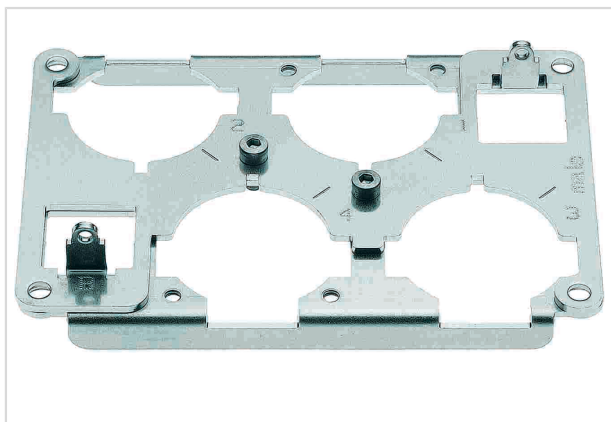


Image is for illustration purposes only. Please refer to product description.

Part number	09 40 048 9811
Specification	Han 48 HPR frame for 4X650A male
HARTING eCatalogue	https://b2b.harting.com/09400489811

Identification

Category	Accessories
Series of hoods/housings	Han [®] HPR
Type of accessory	Frame
Description of the accessory	for male inserts 4x HC 650 contacts + 2x Han [®] Q 5/0

Version

Gender	Male
Size	48 HPR

Material properties

Material (accessories)	Metal
RoHS	compliant
ELV status	compliant
China RoHS	e
REACH Annex XVII substances	No
REACH ANNEX XIV substances	No
REACH SVHC substances	No
California Proposition 65 substances	Yes
California Proposition 65 substances	Nickel

Commercial data

Packaging size	1
----------------	---



Pushing Performance

Commercial data

Net weight	196.1 g
Country of origin	Germany
European customs tariff number	85389099
eCl@ss	27440210 Fixing element for industrial connectors