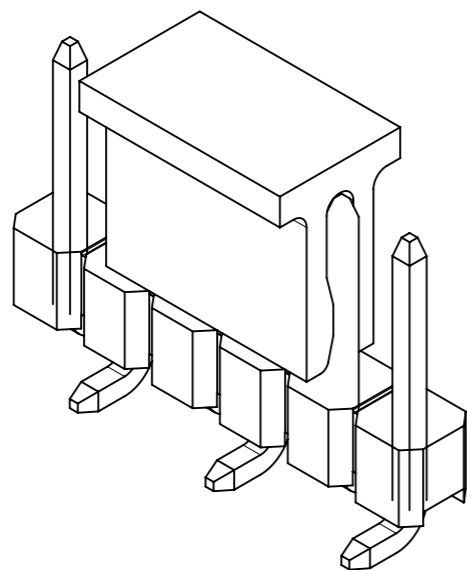
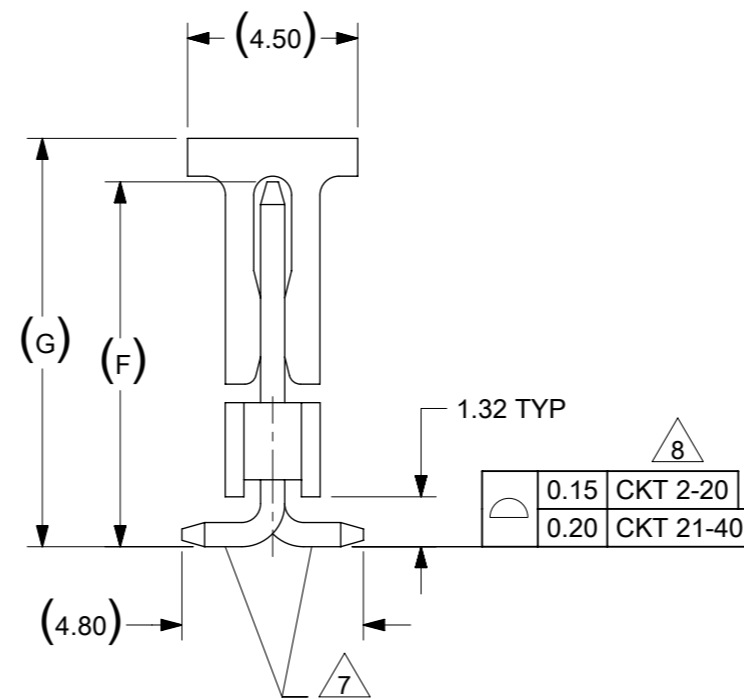
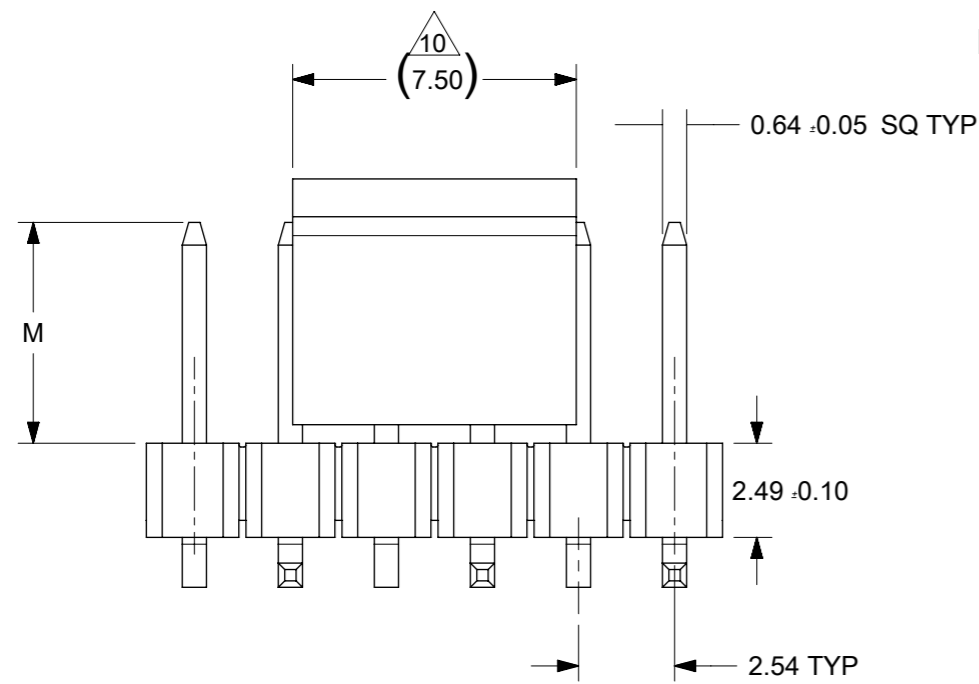


RECOMMENDED PCB LAYOUT: COMPONENT SIDE

NOTES:

- MATERIAL:  
HSG: NYLON, GLASS-FILLED, UL94V-0, COLOR: BLACK  
CAP: NYLON, GLASS-FILLED, UL94V-0, COLOR: BLACK  
PIN: 0.64MM SQ, COPPER ALLOY
- PLATING TYPE:  
(1) GOLD FLASH OVER  
1.25µm MIN. NICKEL OVERALL.  
(2) GOLD FLASH ON CONTACT AND  
2.50µm MIN. TIN ON SOLDER TAIL OVER  
1.25µm MIN. NICKEL OVERALL.  
(4) 0.38µm MIN. GOLD PLATE ON CONTACT AND  
2.00µm MIN. TIN ON SOLDER TAIL OVER  
1.25µm MIN. NICKEL OVERALL.  
(5) 0.75µm MIN. GOLD PLATE ON CONTACT AND  
2.00µm MIN. TIN ON SOLDER TAIL OVER  
1.25µm MIN. NICKEL OVERALL.  
(6) 2.50µm MIN. TIN OVERALL  
1.25µm MIN. NICKEL OVERALL
- PRODUCT SPECIFICATION: PS-87920-019
- PACKAGING TYPE: SEE TABLE
- PACKAGING SPEC:  
TUBE WITH CAP VERSION: PK-89990-558  
TUBE W/O CAP VERSION: PK-89990-545  
TRAY W/O CAP: PK-89990-489  
EMBOSS TAPE WITH CAP: PK-89990-486 AND PK-87898-400
- WAFER TO BE FLAT WITHIN 0.003 mm/mm
- BEND DEPRESSION IS ACCEPTED SO LONG AS IT DOES NOT AFFECT THE OVERALL COPLANARITY OF TAIL
- COPLANARITY IS TO BE MEASURED BY RESTING THE SOLDER TAIL ON A FLAT SURFACE
- IRREGULAR CIRCUIT CUTOFF WITHIN BREAKAWAY SECTION IS PERMISSIBLE. CUTTING OR CHIPPING OF THE MAIN BODY IS NOT ACCEPTABLE
- CAP LOCATION IS CENTERED ALONG THE MATING ENDS AS SHOWN. TOP SURFACE OF CAP TO BE FLAT FOR THE PURPOSE OF PICK & PLACE BY VACUUM SUCTION NOZZLE
- RECOMMENDED PCB THICKNESS IS 1.60mm±0.10
- THE ABOVE CKT 6 IS FOR ILLUSTRATION PURPOSE ONLY
- TUBE LENGTH AS PER STANDARD 560mm




|  |   |                              |  |  |  |
|--|---|------------------------------|--|--|--|
| SYMBOLS  | THIS DRAWING CONTAINS INFORMATION THAT IS PROPRIETARY TO MOLEX ELECTRONIC TECHNOLOGIES, LLC AND SHOULD NOT BE USED WITHOUT WRITTEN PERMISSION |                              | CURRENT REV DESC: 878980757/SHT 2 CORR |  |  |
|  | ▽ = 0<br>▽ = 0<br>▽ = 0<br>▽ = 0<br>▽ = 0<br>▽ = 0<br>▽ = 0<br>▽ = 0<br>▽ = 0<br>▽ = 0  | DIMENSION UNITS<br><b>mm</b> | SCALE                                  | EC NO: 617791<br>DRWN: NMANE02 2019/06/03<br>CHK'D: GJEEVANSURES 2019/06/03<br>APPR: MRAMAKRISHNA 2019/06/07 |  |
| GENERAL TOLERANCES (UNLESS SPECIFIED)                |   | MM                           | INCH                                   | INITIAL REVISION:<br>DRWN: GGUNAGI 2016/11/09<br>APPR: ISHWARG 2016/12/06                                    |  |
| 4 PLACES ±   |   | ±                            | ±                                      | DOCUMENT NUMBER<br><b>SD-87898-001</b>   |  |
| 3 PLACES ±   |   | ±                            | ±                                      | DOC TYPE<br><b>PSD</b>   |  |
| 2 PLACES ± 0.2                                       |   | ±                            | ±                                      | DOC PART<br><b>000</b>   |  |
| 1 PLACE ±  |   | ±                            | ±                                      | REVISION<br><b>B22</b>   |  |
| 0 PLACES ±   |   | ±                            | ±                                      | MATERIAL NUMBER<br>SEE TABLE   |  |
| ANGULAR TOL ± 3.0°                                   |   | THIRD ANGLE PROJECTION       |  | CUSTOMER<br>GENERAL MARKET   |  |
| DRAFT WHERE APPLICABLE MUST REMAIN WITHIN DIMENSIONS |   | DRAWING                      |  | SHEET NUMBER<br>1 OF 21  |  |
|  |   | A3-SIZE                      |  | SERIES<br><b>87898</b>   |  |

| PACKAGING OPTION PART NO. |               |                  |               |                         |                      | CKT SIZE | VOID POSITION | PLATING TYPE | DIMENSION |      |       |       |       |
|---------------------------|---------------|------------------|---------------|-------------------------|----------------------|----------|---------------|--------------|-----------|------|-------|-------|-------|
| TRAY WITHOUT CAP          | TRAY WITH CAP | TUBE WITHOUT CAP | TUBE WITH CAP | TAPE & REEL WITHOUT CAP | TAPE & REEL WITH CAP |          |               |              | A         | B    | G     | F     | M     |
| 87898-0301                | -----         | -----            | -----         | -----                   | -----                | 3        | ----          | 1            | 7.62      | 5.08 | 10.81 | 9.65  | 5.84  |
| 87898-0302                | -----         | -----            | -----         | -----                   | -----                | 3        | ----          | 2            | 7.62      | 5.08 | 10.81 | 9.65  | 5.84  |
| 87898-0304                | -----         | -----            | -----         | -----                   | 87898-0314           | 3        | ----          | 4            | 7.62      | 5.08 | 10.81 | 9.65  | 5.84  |
| 87898-0305                | -----         | -----            | -----         | -----                   | 87898-0315           | 3        | ----          | 5            | 7.62      | 5.08 | 10.81 | 9.65  | 5.84  |
| 87898-0306                | -----         | -----            | -----         | -----                   | 87898-0316           | 3        | ----          | 6            | 7.62      | 5.08 | 10.81 | 9.65  | 5.84  |
| -----                     | -----         | -----            | -----         | -----                   | 87898-0317           | 3        | -----         | 6            | 7.62      | 5.08 | 10.81 | 9.65  | 5.84  |
| -----                     | -----         | -----            | -----         | -----                   | 87898-0318           | 3        | ----          | 5            | 7.62      | 5.08 | 10.81 | 9.65  | 5.84  |
| -----                     | -----         | -----            | -----         | -----                   | 87898-0310           | 3        | -----         | 6            | 7.62      | 5.08 | 14.91 | 13.91 | 10.10 |
| -----                     | -----         | -----            | -----         | -----                   | 87898-0309           | 3        | -----         | 6            | 7.62      | 5.08 | 14.81 | 13.81 | 10.00 |
| -----                     | -----         | 87898-0370       | -----         | -----                   | -----                | 3        | -----         | 6            | 7.62      | 5.08 | ----  | 13.91 | 10.10 |

REFER TO LAST SHEET FOR 2CKT SIZE

DOCUMENT STATUS | P1 | RELEASE DATE | 2019/06/07 | 10:07:47


|   |   |                                       |   |  |   |
|---|---|---------------------------------------|---|--|---|
| SYMBOLS   | THIS DRAWING CONTAINS INFORMATION THAT IS PROPRIETARY TO MOLEX ELECTRONIC TECHNOLOGIES, LLC AND SHOULD NOT BE USED WITHOUT WRITTEN PERMISSION |                                       | CURRENT REV DESC: 878980757/SHT 2 CORR                                    |  |  |
|   | DIMENSION UNITS: <b>mm</b><br>SCALE:  | GENERAL TOLERANCES (UNLESS SPECIFIED) |   | EC NO: 617791<br>DRWN: NMANE02 2019/06/03<br>CHK'D: GJEEVANSURES 2019/06/03<br>APPR: MRAMAKRISHNA 2019/06/07 |   |
| ▽ = 0<br>▽ = 0<br>▽ = 0<br>▽ = 0<br>▽ = 0<br>▽ = 0<br>▽ = 0<br>▽ = 0<br>▽ = 0 | 4 PLACES ±<br>3 PLACES ±<br>2 PLACES ± 0.2 ±<br>1 PLACE ±<br>0 PLACES ±<br>ANGULAR TOL ± 3.0°   | MM<br>INCH                            | INITIAL REVISION:<br>DRWN: GGUNAGI 2016/11/09<br>APPR: ISHWARG 2016/12/06 | DOCUMENT NUMBER: <b>SD-87898-001</b><br>DOC TYPE: PSD<br>DOC PART: 000<br>REVISION: B22                      | PRODUCT CUSTOMER DRAWING  |
| ■ = 0<br>▽ = 0  | DRAFT WHERE APPLICABLE MUST REMAIN WITHIN DIMENSIONS  | THIRD ANGLE PROJECTION                | DRAWING: A3-SIZE<br>SERIES: 87898   | MATERIAL NUMBER: SEE TABLE<br>CUSTOMER: GENERAL MARKET   | SHEET NUMBER: 2 OF 21   |

| PACKAGING OPTION PART NO. |               |                  |               |                         |                      | CKT SIZE | VOID POSITION | PLATING TYPE | MODIFIED MATING CKT | MODIFIED MATING LENGTH | DIMENSION |       |       |       |       |
|---------------------------|---------------|------------------|---------------|-------------------------|----------------------|----------|---------------|--------------|---------------------|------------------------|-----------|-------|-------|-------|-------|
| TRAY WITHOUT CAP          | TRAY WITH CAP | TUBE WITHOUT CAP | TUBE WITH CAP | TAPE & REEL WITHOUT CAP | TAPE & REEL WITH CAP |          |               |              |                     |                        | A         | B     | G     | F     | M     |
| -----                     | -----         | 87898-0421       | 87898-0431    | -----                   | 87898-0451           | 4        | -----         | 1            | -----               | -----                  | 10.16     | 7.62  | 10.81 | 9.65  | 5.84  |
| -----                     | -----         | 87898-0422       | 87898-0432    | -----                   | 87898-0452           | 4        | -----         | 2            | -----               | -----                  | 10.16     | 7.62  | 10.81 | 9.65  | 5.84  |
| -----                     | -----         | 87898-0424       | 87898-0434    | -----                   | 87898-0454           | 4        | -----         | 4            | -----               | -----                  | 10.16     | 7.62  | 10.81 | 9.65  | 5.84  |
| -----                     | -----         | 87898-0425       | 87898-0435    | -----                   | 87898-0455           | 4        | -----         | 5            | -----               | -----                  | 10.16     | 7.62  | 10.81 | 9.65  | 5.84  |
| -----                     | -----         | 87898-0426       | 87898-0436    | -----                   | 87898-0456           | 4        | -----         | 6            | -----               | -----                  | 10.16     | 7.62  | 10.81 | 9.65  | 5.84  |
| -----                     | -----         | -----            | -----         | -----                   | 87898-0457           | 4        | -----         | 6            | -----               | -----                  | 10.16     | 7.62  | 10.81 | 9.65  | 5.84  |
| -----                     | -----         | -----            | -----         | -----                   | 87898-0458           | 4        | -----         | 5            | -----               | -----                  | 10.16     | 7.62  | 10.81 | 9.65  | 5.84  |
| -----                     | -----         | -----            | -----         | -----                   | 87898 - 0480         | 4        | CKT# 4        | 5            | -----               | -----                  | 10.16     | 7.62  | 14.70 | 13.65 | 9.84  |
| -----                     | -----         | -----            | -----         | -----                   | 87898 - 0481         | 4        | -----         | 5            | CKT # 1, 2 & 3      | 1.00                   | 10.16     | 7.62  | 17.70 | 16.65 | 12.84 |
| 87898 - 0482              | -----         | -----            | -----         | -----                   | -----                | 4        | -----         | ---          | CKT # 1, 2 & 3      | 1.00                   | 10.16     | 7.62  | ---   | 16.65 | 12.84 |
| -----                     | -----         | -----            | -----         | -----                   | 87898 - 0483         | 4        | -----         | ---          | CKT # 1, 2 & 3      | 1.00                   | 10.16     | 7.62  | 14.70 | 13.65 | 9.84  |
| -----                     | -----         | 87898-0427       | -----         | -----                   | -----                | 4        | -----         | ---          | -----               | -----                  | 10.16     | 7.62  | ---   | 11.87 | 8.06  |
| -----                     | -----         | 87898-0521       | 87898-0531    | -----                   | 87898-0551           | 5        | -----         | 1            | -----               | -----                  | 12.70     | 10.16 | 10.81 | 9.65  | 5.84  |
| -----                     | -----         | 87898-0522       | 87898-0532    | -----                   | 87898-0552           | 5        | -----         | 2            | -----               | -----                  | 12.70     | 10.16 | 10.81 | 9.65  | 5.84  |
| -----                     | -----         | 87898-0524       | 87898-0534    | -----                   | 87898-0554           | 5        | -----         | 4            | -----               | -----                  | 12.70     | 10.16 | 10.81 | 9.65  | 5.84  |
| -----                     | -----         | 87898-0525       | 87898-0535    | -----                   | 87898-0555           | 5        | -----         | 5            | -----               | -----                  | 12.70     | 10.16 | 10.81 | 9.65  | 5.84  |
| -----                     | -----         | 87898-0526       | 87898-0536    | -----                   | 87898-0556           | 5        | -----         | 6            | -----               | -----                  | 12.70     | 10.16 | 10.81 | 9.65  | 5.84  |
| 87898-0581                | -----         | -----            | -----         | -----                   | -----                | 5        | -----         | 4            | -----               | -----                  | 12.70     | 10.16 | ---   | 24.18 | 20.25 |
| -----                     | -----         | -----            | -----         | -----                   | 87898-0576           | 5        | -----         | 5            | -----               | -----                  | 12.70     | 10.16 | 14.35 | 13.31 | 9.50  |
| -----                     | -----         | 87898-0621       | 87898-0631    | -----                   | 87898-0651           | 6        | -----         | 1            | -----               | -----                  | 15.24     | 12.70 | 10.81 | 9.65  | 5.84  |
| -----                     | -----         | 87898-0622       | 87898-0632    | -----                   | 87898-0652           | 6        | -----         | 2            | -----               | -----                  | 15.24     | 12.70 | 10.81 | 9.65  | 5.84  |
| -----                     | -----         | 87898-0624       | 87898-0634    | -----                   | 87898-0654           | 6        | -----         | 4            | -----               | -----                  | 15.24     | 12.70 | 10.81 | 9.65  | 5.84  |
| -----                     | -----         | 87898-0625       | 87898-0635    | -----                   | 87898-0655           | 6        | -----         | 5            | -----               | -----                  | 15.24     | 12.70 | 10.81 | 9.65  | 5.84  |
| -----                     | -----         | 87898-0626       | 87898-0636    | -----                   | 87898-0656           | 6        | -----         | 6            | -----               | -----                  | 15.24     | 12.70 | 10.81 | 9.65  | 5.84  |
| 87898-0607                | -----         | -----            | -----         | -----                   | 87898-0657           | 6        | -----         | 6            | -----               | -----                  | 15.24     | 12.70 | 16.47 | 15.31 | 11.50 |
| -----                     | -----         | -----            | -----         | -----                   | 87898-0605           | 6        | -----         | 5            | -----               | -----                  | 15.24     | 12.70 | 12.98 | 11.94 | 8.13  |
| -----                     | -----         | 87898-0604       | -----         | -----                   | -----                | 6        | -----         | 5            | -----               | -----                  | 15.24     | 12.70 | ---   | 13.31 | 9.50  |


|                 |  |  |  |  |    |              |            |          |
|-----------------|--|--|--|--|----|--------------|------------|----------|
| DOCUMENT STATUS |  |  |  |  | P1 | RELEASE DATE | 2019/06/07 | 10:07:47 |
|-----------------|--|--|--|--|----|--------------|------------|----------|

|   |                               |                 |                        |       |         |  |                 |                |              |
|---|-------------------------------|-----------------|------------------------|-------|---------|--|-----------------|----------------|--------------|
| THIS DRAWING CONTAINS INFORMATION THAT IS PROPRIETARY TO MOLEX ELECTRONIC TECHNOLOGIES, LLC AND SHOULD NOT BE USED WITHOUT WRITTEN PERMISSION |                               |                 |                        |       |         |  |                 |                |              |
| SYMBOLS   |                               | DIMENSION UNITS |                        | SCALE |         | CURRENT REV DESC: 878980757/SHT 2 CORR   |                 |                |              |
| ▽ = 0   | mm                            |                 |                        |       |         | <p><b>molex</b></p> <p>CUSTOM HEADER</p> <p>2.54MM PITCH SINGLE ROW SINGLE WAFER SMT HEADER</p> <p>PRODUCT CUSTOMER DRAWING</p> <p>INITIAL REVISION:</p> <p>DRWN: GGUNAGI 2016/11/09</p> <p>APPR: ISHWARG 2016/12/06</p> <p>DRWN: NMANE02 2019/06/03</p> <p>CHK'D: GJEEVANSURES 2019/06/03</p> <p>APPR: MRAMAKRISHNA 2019/06/07</p> <p>EC NO: 617791</p> |                 |                |              |
| GENERAL TOLERANCES (UNLESS SPECIFIED)   |                               |                 |                        |       |         |  |                 |                |              |
| ▽ = 0   | 4 PLACES ±                    |                 | mm                     | INCH  |         |  |                 |                |              |
| ▽ = 0   | 3 PLACES ±                    |                 |                        |       |         |  |                 |                |              |
| ▽ = 0   | 2 PLACES ±                    |                 | 0.2                    |       |         |  |                 |                |              |
| ▽ = 0   | 1 PLACE ±                     |                 |                        |       |         |  |                 |                |              |
| ▽ = 0   | 0 PLACES ±                    |                 |                        |       |         |  |                 |                |              |
| □ = 0   | ANGULAR TOL ±                 |                 | 3.0°                   |       |         |  |                 |                |              |
| ■ = 0   | DRAFT WHERE APPLICABLE        |                 | THIRD ANGLE PROJECTION |       | DRAWING | SERIES   | MATERIAL NUMBER | CUSTOMER       | SHEET NUMBER |
| ▽ = 0   | MUST REMAIN WITHIN DIMENSIONS |                 |                        |       | A3-SIZE | 87898  |                 | GENERAL MARKET | 3 OF 21      |

| PACKAGING OPTION PART NO. |               |                  |               |                         |                      | CKT SIZE | VOID POSITION | PLATING TYPE | DIMENSION |       |       |       |       |
|---------------------------|---------------|------------------|---------------|-------------------------|----------------------|----------|---------------|--------------|-----------|-------|-------|-------|-------|
| TRAY WITHOUT CAP          | TRAY WITH CAP | TUBE WITHOUT CAP | TUBE WITH CAP | TAPE & REEL WITHOUT CAP | TAPE & REEL WITH CAP |          |               |              | A         | B     | G     | F     | M     |
| -----                     | -----         | 87898-0721       | 87898-0731    | -----                   | 87898-0751           | 7        | ----          | 1            | 17.78     | 15.24 | 10.81 | 9.65  | 5.84  |
| -----                     | -----         | 87898-0722       | 87898-0732    | -----                   | 87898-0752           | 7        | ----          | 2            | 17.78     | 15.24 | 10.81 | 9.65  | 5.84  |
| -----                     | -----         | 87898-0724       | 87898-0734    | -----                   | 87898-0754           | 7        | ----          | 4            | 17.78     | 15.24 | 10.81 | 9.65  | 5.84  |
| -----                     | -----         | 87898-0725       | 87898-0735    | -----                   | 87898-0755           | 7        | ----          | 5            | 17.78     | 15.24 | 10.81 | 9.65  | 5.84  |
| -----                     | -----         | 87898-0726       | 87898-0736    | -----                   | 87898-0756           | 7        | ----          | 6            | 17.78     | 15.24 | 10.81 | 9.65  | 5.84  |
| -----                     | -----         | -----            | -----         | B22 87898-0757          | -----                | 7        | ----          | 6            | 17.78     | 15.24 | ---   | 9.65  | 5.84  |
| -----                     | -----         | 87898-0720       | -----         | -----                   | -----                | 7        | ----          | 5            | 17.78     | 15.24 | ---   | 9.81  | 6.00  |
| -----                     | -----         | 87898-0767       | -----         | -----                   | -----                | 7        | ----          | 5            | 17.78     | 15.24 | ---   | 13.81 | 10.00 |
|                           |               |                  |               |                         |                      |          |               |              |           |       |       |       |       |
|                           |               |                  |               |                         |                      |          |               |              |           |       |       |       |       |
| -----                     | -----         | 87898-0821       | 87898-0831    | -----                   | 87898-0851           | 8        | ----          | 1            | 20.32     | 17.78 | 10.81 | 9.65  | 5.84  |
| -----                     | -----         | 87898-0822       | 87898-0832    | -----                   | 87898-0852           | 8        | ----          | 2            | 20.32     | 17.78 | 10.81 | 9.65  | 5.84  |
| -----                     | -----         | 87898-0824       | 87898-0834    | -----                   | 87898-0854           | 8        | ----          | 4            | 20.32     | 17.78 | 10.81 | 9.65  | 5.84  |
| -----                     | -----         | 87898-0825       | 87898-0835    | -----                   | 87898-0855           | 8        | ----          | 5            | 20.32     | 17.78 | 10.81 | 9.65  | 5.84  |
| -----                     | -----         | 87898-0826       | 87898-0836    | -----                   | 87898-0856           | 8        | ----          | 6            | 20.32     | 17.78 | 10.81 | 9.65  | 5.84  |
| 87898-0881                | -----         | -----            | -----         | -----                   | -----                | 8        | ----          | 4            | 20.32     | 17.78 | ---   | 21.84 | 17.91 |
|                           |               |                  |               |                         |                      |          |               |              |           |       |       |       |       |
|                           |               |                  |               |                         |                      |          |               |              |           |       |       |       |       |
| -----                     | -----         | 87898-0921       | 87898-0931    | -----                   | 87898-0951           | 9        | ----          | 1            | 22.86     | 20.32 | 10.81 | 9.65  | 5.84  |
| -----                     | -----         | 87898-0922       | 87898-0932    | -----                   | 87898-0952           | 9        | ----          | 2            | 22.86     | 20.32 | 10.81 | 9.65  | 5.84  |
| -----                     | -----         | 87898-0924       | 87898-0934    | -----                   | 87898-0954           | 9        | ----          | 4            | 22.86     | 20.32 | 10.81 | 9.65  | 5.84  |
| -----                     | -----         | 87898-0925       | 87898-0935    | -----                   | 87898-0955           | 9        | ----          | 5            | 22.86     | 20.32 | 10.81 | 9.65  | 5.84  |
| -----                     | -----         | 87898-0926       | 87898-0936    | -----                   | 87898-0956           | 9        | ----          | 6            | 22.86     | 20.32 | 10.81 | 9.65  | 5.84  |

|   |   |   |  |  |   |
|---|---|---|--|--|---|
| SYMBOLS   | THIS DRAWING CONTAINS INFORMATION THAT IS PROPRIETARY TO MOLEX ELECTRONIC TECHNOLOGIES, LLC AND SHOULD NOT BE USED WITHOUT WRITTEN PERMISSION |   | CURRENT REV DESC: 878980757/SHT 2 CORR |  |    |
|   | DIMENSION UNITS: <b>mm</b><br>SCALE:  | GENERAL TOLERANCES (UNLESS SPECIFIED)                                     |  | EC NO: 617791<br>DRWN: NMANE02 2019/06/03<br>CHK'D: GJEEVANSURES 2019/06/03<br>APPR: MRAMAKRISHNA 2019/06/07 |   |
| 4 PLACES ±<br>3 PLACES ±<br>2 PLACES ± 0.2 ±<br>1 PLACE ± ±<br>0 PLACES ± ±<br>ANGULAR TOL ± 3.0° | MM<br>INCH  | INITIAL REVISION:<br>DRWN: GGUNAGI 2016/11/09<br>APPR: ISHWARG 2016/12/06 |  | PRODUCT CUSTOMER DRAWING   | DOCUMENT NUMBER: <b>SD-87898-001</b><br>DOC TYPE: PSD<br>DOC PART: 000<br>REVISION: B22 |
| DRAFT WHERE APPLICABLE MUST REMAIN WITHIN DIMENSIONS  | THIRD ANGLE PROJECTION  | DRAWING: <b>A3-SIZE</b>   | SERIES: <b>87898</b>                   | MATERIAL NUMBER: SEE TABLE<br>CUSTOMER: GENERAL MARKET   | SHEET NUMBER: 4 OF 21   |

| PACKAGING OPTION PART NO. |               |                  |               |                         |                      | CKT SIZE | VOID POSITION | PLATING TYPE | DIMENSION |       |       |      |      |
|---------------------------|---------------|------------------|---------------|-------------------------|----------------------|----------|---------------|--------------|-----------|-------|-------|------|------|
| TRAY WITHOUT CAP          | TRAY WITH CAP | TUBE WITHOUT CAP | TUBE WITH CAP | TAPE & REEL WITHOUT CAP | TAPE & REEL WITH CAP |          |               |              | A         | B     | G     | F    | M    |
| -----                     | -----         | 87898-1021       | 87898-1031    | -----                   | 87898-1051           | 10       | -----         | 1            | 25.40     | 22.86 | 10.81 | 9.65 | 5.84 |
| -----                     | -----         | 87898-1022       | 87898-1032    | -----                   | 87898-1052           | 10       | -----         | 2            | 25.40     | 22.86 | 10.81 | 9.65 | 5.84 |
| -----                     | -----         | 87898-1024       | 87898-1034    | -----                   | 87898-1054           | 10       | -----         | 4            | 25.40     | 22.86 | 10.81 | 9.65 | 5.84 |
| -----                     | -----         | 87898-1025       | 87898-1035    | -----                   | 87898-1055           | 10       | -----         | 5            | 25.40     | 22.86 | 10.81 | 9.65 | 5.84 |
| -----                     | -----         | 87898-1026       | 87898-1036    | -----                   | 87898-1056           | 10       | -----         | 6            | 25.40     | 22.86 | 10.81 | 9.65 | 5.84 |
| -----                     | -----         | 87898-1003       | -----         | -----                   | -----                | 10       | -----         | 5            | 25.40     | 22.86 | ---   | 9.81 | 6.00 |
| -----                     | -----         | 87898-1121       | 87898-1131    | -----                   | 87898-1151           | 11       | -----         | 1            | 27.94     | 25.40 | 10.81 | 9.65 | 5.84 |
| -----                     | -----         | 87898-1122       | 87898-1132    | -----                   | 87898-1152           | 11       | -----         | 2            | 27.94     | 25.40 | 10.81 | 9.65 | 5.84 |
| -----                     | -----         | 87898-1124       | 87898-1134    | -----                   | 87898-1154           | 11       | -----         | 4            | 27.94     | 25.40 | 10.81 | 9.65 | 5.84 |
| -----                     | -----         | 87898-1125       | 87898-1135    | -----                   | 87898-1155           | 11       | -----         | 5            | 27.94     | 25.40 | 10.81 | 9.65 | 5.84 |
| -----                     | -----         | 87898-1126       | 87898-1136    | -----                   | 87898-1156           | 11       | -----         | 6            | 27.94     | 25.40 | 10.81 | 9.65 | 5.84 |
| -----                     | -----         | 87898-1221       | 87898-1231    | -----                   | 87898-1251           | 12       | -----         | 1            | 30.48     | 27.94 | 10.81 | 9.65 | 5.84 |
| -----                     | -----         | 87898-1222       | 87898-1232    | -----                   | 87898-1252           | 12       | -----         | 2            | 30.48     | 27.94 | 10.81 | 9.65 | 5.84 |
| -----                     | -----         | 87898-1224       | 87898-1234    | -----                   | 87898-1254           | 12       | -----         | 4            | 30.48     | 27.94 | 10.81 | 9.65 | 5.84 |
| -----                     | -----         | 87898-1225       | 87898-1235    | -----                   | 87898-1255           | 12       | -----         | 5            | 30.48     | 27.94 | 10.81 | 9.65 | 5.84 |
| -----                     | -----         | 87898-1226       | 87898-1236    | -----                   | 87898-1256           | 12       | -----         | 6            | 30.48     | 27.94 | 10.81 | 9.65 | 5.84 |

|  |  |  |  |   |  |               |  |                            |  |                          |  |                       |  |
|--|--|--|--|---|--|---------------|--|----------------------------|--|--------------------------|--|-----------------------|--|
| <p>THIS DRAWING CONTAINS INFORMATION THAT IS PROPRIETARY TO MOLEX ELECTRONIC TECHNOLOGIES, LLC AND SHOULD NOT BE USED WITHOUT WRITTEN PERMISSION</p> |  |  |  |   |  |               |  |                            |  |                          |  |                       |  |
| <b>SYMBOLS</b><br>DIMENSION UNITS: <b>mm</b><br>SCALE:   |  | CURRENT REV DESC: 878980757/SHT 2 CORR   |  | <br>CUSTOM HEADER<br>2.54MM PITCH SINGLE ROW SINGLE WAFER SMT HEADER |  |               |  |                            |  |                          |  |                       |  |
| GENERAL TOLERANCES (UNLESS SPECIFIED)  |  | EC NO: 617791<br>DRWN: NMANE02 2019/06/03<br>CHK'D: GJEEVANSURES 2019/06/03<br>APPR: MRAMAKRISHNA 2019/06/07 |  |   |  |               |  |                            |  |                          |  |                       |  |
| 4 PLACES ±     ±<br>3 PLACES ±     ±<br>2 PLACES ± 0.2 ±<br>1 PLACE ±     ±<br>0 PLACES ±     ±  |  | INITIAL REVISION:<br>DRWN: GGUNAGI 2016/11/09<br>APPR: ISHWARG 2016/12/06                                    |  | DOCUMENT NUMBER: <b>SD-87898-001</b>  |  | DOC TYPE: PSD |  | DOC PART: 000              |  | REVISION: B22            |  |                       |  |
| ANGULAR TOL ± 3.0°<br>DRAFT WHERE APPLICABLE MUST REMAIN WITHIN DIMENSIONS   |  | THIRD ANGLE PROJECTION   |  | DRAWING: A3-SIZE  |  | SERIES: 87898 |  | MATERIAL NUMBER: SEE TABLE |  | CUSTOMER: GENERAL MARKET |  | SHEET NUMBER: 5 OF 21 |  |

|                 |    |              |            |          |
|-----------------|----|--------------|------------|----------|
| DOCUMENT STATUS | P1 | RELEASE DATE | 2019/06/07 | 10:07:47 |
|-----------------|----|--------------|------------|----------|

| PACKAGING OPTION PART NO. |               |                  |               |                         |                      | CKT SIZE | VOID POSITION | PLATING TYPE | DIMENSION |       |       |      |      |
|---------------------------|---------------|------------------|---------------|-------------------------|----------------------|----------|---------------|--------------|-----------|-------|-------|------|------|
| TRAY WITHOUT CAP          | TRAY WITH CAP | TUBE WITHOUT CAP | TUBE WITH CAP | TAPE & REEL WITHOUT CAP | TAPE & REEL WITH CAP |          |               |              | A         | B     | G     | F    | M    |
| -----                     | -----         | 87898-1321       | 87898-1331    | -----                   | 87898-1351           | 13       | -----         | 1            | 33.02     | 30.48 | 10.81 | 9.65 | 5.84 |
| -----                     | -----         | 87898-1322       | 87898-1332    | -----                   | 87898-1352           | 13       | -----         | 2            | 33.02     | 30.48 | 10.81 | 9.65 | 5.84 |
| -----                     | -----         | 87898-1324       | 87898-1334    | -----                   | 87898-1354           | 13       | -----         | 4            | 33.02     | 30.48 | 10.81 | 9.65 | 5.84 |
| -----                     | -----         | 87898-1325       | 87898-1335    | -----                   | 87898-1355           | 13       | -----         | 5            | 33.02     | 30.48 | 10.81 | 9.65 | 5.84 |
| -----                     | -----         | 87898-1326       | 87898-1336    | -----                   | 87898-1356           | 13       | -----         | 6            | 33.02     | 30.48 | 10.81 | 9.65 | 5.84 |
|                           |               |                  |               |                         |                      |          |               |              |           |       |       |      |      |
|                           |               |                  |               |                         |                      |          |               |              |           |       |       |      |      |
| -----                     | -----         | 87898-1421       | 87898-1431    | -----                   | 87898-1451           | 14       | -----         | 1            | 35.56     | 33.02 | 10.81 | 9.65 | 5.84 |
| -----                     | -----         | 87898-1422       | 87898-1432    | -----                   | 87898-1452           | 14       | -----         | 2            | 35.56     | 33.02 | 10.81 | 9.65 | 5.84 |
| -----                     | -----         | 87898-1424       | 87898-1434    | -----                   | 87898-1454           | 14       | -----         | 4            | 35.56     | 33.02 | 10.81 | 9.65 | 5.84 |
| -----                     | -----         | 87898-1425       | 87898-1435    | -----                   | 87898-1455           | 14       | -----         | 5            | 35.56     | 33.02 | 10.81 | 9.65 | 5.84 |
| -----                     | -----         | 87898-1426       | 87898-1436    | -----                   | 87898-1456           | 14       | -----         | 6            | 35.56     | 33.02 | 10.81 | 9.65 | 5.84 |
|                           |               |                  |               |                         |                      |          |               |              |           |       |       |      |      |
|                           |               |                  |               |                         |                      |          |               |              |           |       |       |      |      |
| -----                     | -----         | 87898-1521       | 87898-1531    | -----                   | 87898-1551           | 15       | -----         | 1            | 38.10     | 35.56 | 10.81 | 9.65 | 5.84 |
| -----                     | -----         | 87898-1522       | 87898-1532    | -----                   | 87898-1552           | 15       | -----         | 2            | 38.10     | 35.56 | 10.81 | 9.65 | 5.84 |
| -----                     | -----         | 87898-1524       | 87898-1534    | -----                   | 87898-1554           | 15       | -----         | 4            | 38.10     | 35.56 | 10.81 | 9.65 | 5.84 |
| -----                     | -----         | 87898-1525       | 87898-1535    | -----                   | 87898-1555           | 15       | -----         | 5            | 38.10     | 35.56 | 10.81 | 9.65 | 5.84 |
| -----                     | -----         | 87898-1526       | 87898-1536    | -----                   | 87898-1556           | 15       | -----         | 6            | 38.10     | 35.56 | 10.81 | 9.65 | 5.84 |

|         |   |  |
|---------|---|--|
| SYMBOLS | THIS DRAWING CONTAINS INFORMATION THAT IS PROPRIETARY TO MOLEX ELECTRONIC TECHNOLOGIES, LLC AND SHOULD NOT BE USED WITHOUT WRITTEN PERMISSION |  |
|         | DIMENSION UNITS   | SCALE                                  |
| ▽ = 0   | mm  | CURRENT REV DESC: 878980757/SHT 2 CORR |
| ▽ = 0   | GENERAL TOLERANCES (UNLESS SPECIFIED)   |  |
| ▽ = 0   | MM  | INCH                                   |
| ▽ = 0   | 4 PLACES ±  | ±                                      |
| ▽ = 0   | 3 PLACES ±  | ±                                      |
| ▽ = 0   | 2 PLACES ±  | 0.2 ±                                  |
| ▽ = 0   | 1 PLACE ±   | ±                                      |
| ▽ = 0   | 0 PLACES ±  | ±                                      |
| ⊠ = 0   | ANGULAR TOL ±   | 3.0°                                   |
| ■ = 0   | DRAFT WHERE APPLICABLE MUST REMAIN WITHIN DIMENSIONS  |  |
| ▽ = 0   | THIRD ANGLE PROJECTION  | DRAWING                                |
|         |   | A3-SIZE                                |
|         | SERIES  | 87898                                  |
|         | MATERIAL NUMBER   | CUSTOMER                               |
|         | GENERAL MARKET  |  |
|         | SHEET NUMBER  | 6 OF 21                                |

**molex**

CUSTOM HEADER  
2.54MM PITCH SINGLE ROW SINGLE WAFER SMT HEADER

PRODUCT CUSTOMER DRAWING


|                 |    |              |            |          |
|-----------------|----|--------------|------------|----------|
| DOCUMENT STATUS | P1 | RELEASE DATE | 2019/06/07 | 10:07:47 |
|-----------------|----|--------------|------------|----------|

| PACKAGING OPTION PART NO. |               |                  |               |                         |                      | CKT SIZE | VOID POSITION | PLATING TYPE | DIMENSION |       |       |      |      |
|---------------------------|---------------|------------------|---------------|-------------------------|----------------------|----------|---------------|--------------|-----------|-------|-------|------|------|
| TRAY WITHOUT CAP          | TRAY WITH CAP | TUBE WITHOUT CAP | TUBE WITH CAP | TAPE & REEL WITHOUT CAP | TAPE & REEL WITH CAP |          |               |              | A         | B     | G     | F    | M    |
| -----                     | -----         | 87898-1621       | 87898-1631    | -----                   | 87898-1651           | 16       | ----          | 1            | 40.64     | 38.10 | 10.81 | 9.65 | 5.84 |
| -----                     | -----         | 87898-1622       | 87898-1632    | -----                   | 87898-1652           | 16       | ----          | 2            | 40.64     | 38.10 | 10.81 | 9.65 | 5.84 |
| -----                     | -----         | 87898-1624       | 87898-1634    | -----                   | 87898-1654           | 16       | ----          | 4            | 40.64     | 38.10 | 10.81 | 9.65 | 5.84 |
| -----                     | -----         | 87898-1625       | 87898-1635    | -----                   | 87898-1655           | 16       | ----          | 5            | 40.64     | 38.10 | 10.81 | 9.65 | 5.84 |
| -----                     | -----         | 87898-1626       | 87898-1636    | -----                   | 87898-1656           | 16       | ----          | 6            | 40.64     | 38.10 | 10.81 | 9.65 | 5.84 |
|                           |               |                  |               |                         |                      |          |               |              |           |       |       |      |      |
|                           |               |                  |               |                         |                      |          |               |              |           |       |       |      |      |
| -----                     | -----         | 87898-1721       | 87898-1731    | -----                   | 87898-1751           | 17       | ----          | 1            | 43.18     | 40.64 | 10.81 | 9.65 | 5.84 |
| -----                     | -----         | 87898-1722       | 87898-1732    | -----                   | 87898-1752           | 17       | ----          | 2            | 43.18     | 40.64 | 10.81 | 9.65 | 5.84 |
| -----                     | -----         | 87898-1724       | 87898-1734    | -----                   | 87898-1754           | 17       | ----          | 4            | 43.18     | 40.64 | 10.81 | 9.65 | 5.84 |
| -----                     | -----         | 87898-1725       | 87898-1735    | -----                   | 87898-1755           | 17       | ----          | 5            | 43.18     | 40.64 | 10.81 | 9.65 | 5.84 |
| -----                     | -----         | 87898-1726       | 87898-1736    | -----                   | 87898-1756           | 17       | ----          | 6            | 43.18     | 40.64 | 10.81 | 9.65 | 5.84 |
|                           |               |                  |               |                         |                      |          |               |              |           |       |       |      |      |
|                           |               |                  |               |                         |                      |          |               |              |           |       |       |      |      |
| -----                     | -----         | 87898-1821       | 87898-1831    | -----                   | 87898-1851           | 18       | ----          | 1            | 45.72     | 43.18 | 10.81 | 9.65 | 5.84 |
| -----                     | -----         | 87898-1822       | 87898-1832    | -----                   | 87898-1852           | 18       | ----          | 2            | 45.72     | 43.18 | 10.81 | 9.65 | 5.84 |
| -----                     | -----         | 87898-1824       | 87898-1834    | -----                   | 87898-1854           | 18       | ----          | 4            | 45.72     | 43.18 | 10.81 | 9.65 | 5.84 |
| -----                     | -----         | 87898-1825       | 87898-1835    | -----                   | 87898-1855           | 18       | ----          | 5            | 45.72     | 43.18 | 10.81 | 9.65 | 5.84 |
| -----                     | -----         | 87898-1826       | 87898-1836    | -----                   | 87898-1856           | 18       | ----          | 6            | 45.72     | 43.18 | 10.81 | 9.65 | 5.84 |

|         |   |  |
|---------|---|--|
| SYMBOLS | THIS DRAWING CONTAINS INFORMATION THAT IS PROPRIETARY TO MOLEX ELECTRONIC TECHNOLOGIES, LLC AND SHOULD NOT BE USED WITHOUT WRITTEN PERMISSION |  |
|         | DIMENSION UNITS   | SCALE                                  |
| ▽ = 0   | mm  | CURRENT REV DESC: 878980757/SHT 2 CORR |
| ▽ = 0   | GENERAL TOLERANCES (UNLESS SPECIFIED)   |  |
| ▽ = 0   | MM  | INCH                                   |
| ▽ = 0   | 4 PLACES ±  | ±                                      |
| ▽ = 0   | 3 PLACES ±  | ±                                      |
| ▽ = 0   | 2 PLACES ±  | 0.2 ±                                  |
| ▽ = 0   | 1 PLACE ±   | ±                                      |
| ▽ = 0   | 0 PLACES ±  | ±                                      |
| ⊠ = 0   | ANGULAR TOL ±   | 3.0°                                   |
| ■ = 0   | DRAFT WHERE APPLICABLE MUST REMAIN WITHIN DIMENSIONS  |  |
| ▽ = 0   | THIRD ANGLE PROJECTION  | DRAWING                                |
|         |   | A3-SIZE                                |
|         | SERIES  | 87898                                  |
|         | MATERIAL NUMBER   | CUSTOMER                               |
|         | GENERAL MARKET  |  |
|         | DOCUMENT NUMBER   | DOC TYPE                               |
|         | SD-87898-001  | PSD                                    |
|         | DOC PART  | REVISION                               |
|         | 000   | B22                                    |
|         | SHEET NUMBER  | 7 OF 21                                |

|                 |    |              |            |          |
|-----------------|----|--------------|------------|----------|
| DOCUMENT STATUS | P1 | RELEASE DATE | 2019/06/07 | 10:07:47 |
|-----------------|----|--------------|------------|----------|

| PACKAGING OPTION PART NO. |               |                  |               |                         |                      | CKT SIZE | VOID POSITION | PLATING TYPE | DIMENSION |       |       |      |      |
|---------------------------|---------------|------------------|---------------|-------------------------|----------------------|----------|---------------|--------------|-----------|-------|-------|------|------|
| TRAY WITHOUT CAP          | TRAY WITH CAP | TUBE WITHOUT CAP | TUBE WITH CAP | TAPE & REEL WITHOUT CAP | TAPE & REEL WITH CAP |          |               |              | A         | B     | G     | F    | M    |
| -----                     | -----         | 87898-1921       | 87898-1931    | -----                   | 87898-1951           | 19       | ----          | 1            | 48.26     | 45.72 | 10.81 | 9.65 | 5.84 |
| -----                     | -----         | 87898-1922       | 87898-1932    | -----                   | 87898-1952           | 19       | ----          | 2            | 48.26     | 45.72 | 10.81 | 9.65 | 5.84 |
| -----                     | -----         | 87898-1924       | 87898-1934    | -----                   | 87898-1954           | 19       | ----          | 4            | 48.26     | 45.72 | 10.81 | 9.65 | 5.84 |
| -----                     | -----         | 87898-1925       | 87898-1935    | -----                   | 87898-1955           | 19       | ----          | 5            | 48.26     | 45.72 | 10.81 | 9.65 | 5.84 |
| -----                     | -----         | 87898-1926       | 87898-1936    | -----                   | 87898-1956           | 19       | ----          | 6            | 48.26     | 45.72 | 10.81 | 9.65 | 5.84 |
|                           |               |                  |               |                         |                      |          |               |              |           |       |       |      |      |
|                           |               |                  |               |                         |                      |          |               |              |           |       |       |      |      |
| -----                     | -----         | 87898-2021       | 87898-2031    | -----                   | 87898-2051           | 20       | ----          | 1            | 50.80     | 48.26 | 10.81 | 9.65 | 5.84 |
| -----                     | -----         | 87898-2022       | 87898-2032    | -----                   | 87898-2052           | 20       | ----          | 2            | 50.80     | 48.26 | 10.81 | 9.65 | 5.84 |
| -----                     | -----         | 87898-2024       | 87898-2034    | -----                   | 87898-2054           | 20       | ----          | 4            | 50.80     | 48.26 | 10.81 | 9.65 | 5.84 |
| -----                     | -----         | 87898-2025       | 87898-2035    | -----                   | 87898-2055           | 20       | ----          | 5            | 50.80     | 48.26 | 10.81 | 9.65 | 5.84 |
| -----                     | -----         | 87898-2026       | 87898-2036    | -----                   | 87898-2056           | 20       | ----          | 6            | 50.80     | 48.26 | 10.81 | 9.65 | 5.84 |
|                           |               |                  |               |                         |                      |          |               |              |           |       |       |      |      |
|                           |               |                  |               |                         |                      |          |               |              |           |       |       |      |      |
| -----                     | -----         | 87898-2121       | 87898-2131    | -----                   | 87898-2151           | 21       | ----          | 1            | 53.34     | 50.80 | 10.81 | 9.65 | 5.84 |
| -----                     | -----         | 87898-2122       | 87898-2132    | -----                   | 87898-2152           | 21       | ----          | 2            | 53.34     | 50.80 | 10.81 | 9.65 | 5.84 |
| -----                     | -----         | 87898-2124       | 87898-2134    | -----                   | 87898-2154           | 21       | ----          | 4            | 53.34     | 50.80 | 10.81 | 9.65 | 5.84 |
| -----                     | -----         | 87898-2125       | 87898-2135    | -----                   | 87898-2155           | 21       | ----          | 5            | 53.34     | 50.80 | 10.81 | 9.65 | 5.84 |
| -----                     | -----         | 87898-2126       | 87898-2136    | -----                   | 87898-2156           | 21       | ----          | 6            | 53.34     | 50.80 | 10.81 | 9.65 | 5.84 |


|         |   |                        |   |
|---------|---|------------------------|---|
| SYMBOLS | THIS DRAWING CONTAINS INFORMATION THAT IS PROPRIETARY TO MOLEX ELECTRONIC TECHNOLOGIES, LLC AND SHOULD NOT BE USED WITHOUT WRITTEN PERMISSION |                        |   |
|         | DIMENSION UNITS   | SCALE                  | CURRENT REV DESC: 878980757/SHT 2 CORR  |
| ▽ = 0   | mm  |                        | <br>CUSTOMER HEADER<br>2.54MM PITCH SINGLE ROW SINGLE WAFER SMT HEADER |
| ▽ = 0   | GENERAL TOLERANCES (UNLESS SPECIFIED)   |                        |   |
| ▽ = 0   |   | MM                     | EC NO: 617791<br>DRWN: NMANE02 2019/06/03<br>CHK'D: GJEEVANSURES 2019/06/03<br>APPR: MRAMAKRISHNA 2019/06/07  |
| ▽ = 0   | 4 PLACES ±  | ±                      |   |
| ▽ = 0   | 3 PLACES ±  | ±                      | PRODUCT CUSTOMER DRAWING<br>DOCUMENT NUMBER: SD-87898-001<br>DOC TYPE: PSD<br>DOC PART: 000<br>REVISION: B22  |
| ▽ = 0   | 2 PLACES ±  | 0.2 ±                  |   |
| ▽ = 0   | 1 PLACE ±   | ±                      | INITIAL REVISION:<br>DRWN: DRWN BY<br>APPR: APPR BY   |
| ▽ = 0   | 0 PLACES ±  | ±                      |   |
| ▽ = 0   | ANGULAR TOL ±   | 3.0°                   | SERIES: 87898<br>MATERIAL NUMBER:<br>CUSTOMER: GENERAL MARKET<br>SHEET NUMBER: 8 OF 21  |
| ▽ = 0   | DRAFT WHERE APPLICABLE MUST REMAIN WITHIN DIMENSIONS  | THIRD ANGLE PROJECTION | DRAWING: A3-SIZE<br>SERIES: 87898   |



| PACKAGING OPTION PART NO. |               |                  |               |                         |                      | CKT SIZE | VOID POSITION | PLATING TYPE | DIMENSION |       |       |      |      |
|---------------------------|---------------|------------------|---------------|-------------------------|----------------------|----------|---------------|--------------|-----------|-------|-------|------|------|
| TRAY WITHOUT CAP          | TRAY WITH CAP | TUBE WITHOUT CAP | TUBE WITH CAP | TAPE & REEL WITHOUT CAP | TAPE & REEL WITH CAP |          |               |              | A         | B     | G     | F    | M    |
| -----                     | -----         | 87898-2221       | 87898-2231    | -----                   | -----                | 22       | ----          | 1            | 55.88     | 53.34 | 10.81 | 9.65 | 5.84 |
| -----                     | -----         | 87898-2222       | 87898-2232    | -----                   | -----                | 22       | ----          | 2            | 55.88     | 53.34 | 10.81 | 9.65 | 5.84 |
| -----                     | -----         | 87898-2224       | 87898-2234    | -----                   | -----                | 22       | ----          | 4            | 55.88     | 53.34 | 10.81 | 9.65 | 5.84 |
| -----                     | -----         | 87898-2225       | 87898-2235    | -----                   | -----                | 22       | ----          | 5            | 55.88     | 53.34 | 10.81 | 9.65 | 5.84 |
| -----                     | -----         | 87898-2226       | 87898-2236    | -----                   | -----                | 22       | ----          | 6            | 55.88     | 53.34 | 10.81 | 9.65 | 5.84 |
|                           |               |                  |               |                         |                      |          |               |              |           |       |       |      |      |
|                           |               |                  |               |                         |                      |          |               |              |           |       |       |      |      |
| -----                     | -----         | 87898-2321       | 87898-2331    | -----                   | -----                | 23       | ----          | 1            | 58.42     | 55.88 | 10.81 | 9.65 | 5.84 |
| -----                     | -----         | 87898-2322       | 87898-2332    | -----                   | -----                | 23       | ----          | 2            | 58.42     | 55.88 | 10.81 | 9.65 | 5.84 |
| -----                     | -----         | 87898-2324       | 87898-2334    | -----                   | -----                | 23       | ----          | 4            | 58.42     | 55.88 | 10.81 | 9.65 | 5.84 |
| -----                     | -----         | 87898-2325       | 87898-2335    | -----                   | -----                | 23       | ----          | 5            | 58.42     | 55.88 | 10.81 | 9.65 | 5.84 |
| -----                     | -----         | 87898-2326       | 87898-2336    | -----                   | -----                | 23       | ----          | 6            | 58.42     | 55.88 | 10.81 | 9.65 | 5.84 |
|                           |               |                  |               |                         |                      |          |               |              |           |       |       |      |      |
|                           |               |                  |               |                         |                      |          |               |              |           |       |       |      |      |
| -----                     | -----         | 87898-2421       | 87898-2431    | -----                   | -----                | 24       | ----          | 1            | 60.96     | 58.42 | 10.81 | 9.65 | 5.84 |
| -----                     | -----         | 87898-2422       | 87898-2432    | -----                   | -----                | 24       | ----          | 2            | 60.96     | 58.42 | 10.81 | 9.65 | 5.84 |
| -----                     | -----         | 87898-2424       | 87898-2434    | -----                   | -----                | 24       | ----          | 4            | 60.96     | 58.42 | 10.81 | 9.65 | 5.84 |
| -----                     | -----         | 87898-2425       | 87898-2435    | -----                   | -----                | 24       | ----          | 5            | 60.96     | 58.42 | 10.81 | 9.65 | 5.84 |
| -----                     | -----         | 87898-2426       | 87898-2436    | -----                   | -----                | 24       | ----          | 6            | 60.96     | 58.42 | 10.81 | 9.65 | 5.84 |


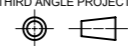
|   |  |   |  |  |
|---|--|---|--|--|
| <b>SYMBOLS</b><br>= 0<br>= 0<br>= 0<br>= 0<br>= 0<br>= 0<br>= 0<br>= 0<br>= 0 | THIS DRAWING CONTAINS INFORMATION THAT IS PROPRIETARY TO MOLEX ELECTRONIC TECHNOLOGIES, LLC AND SHOULD NOT BE USED WITHOUT WRITTEN PERMISSION<br>DIMENSION UNITS: <b>mm</b> SCALE: | CURRENT REV DESC: 878980757/SHT 2 CORR  | <br>CUSTOM HEADER<br>2.54MM PITCH SINGLE ROW SINGLE WAFER SMT HEADER |  |
|   | GENERAL TOLERANCES (UNLESS SPECIFIED)  | EC NO: 617791<br>DRWN: NMANE02    2019/06/03<br>CHK'D: GJEEVANSURES    2019/06/03<br>APPR: MRAMAKRISHNA    2019/06/07 |  | PRODUCT CUSTOMER DRAWING   |
|   | 4 PLACES ±    ±<br>3 PLACES ±    ±<br>2 PLACES ± 0.2 ±<br>1 PLACE ±    ±<br>0 PLACES ±    ±<br>ANGULAR TOL ± 3.0°  | INITIAL REVISION:<br>DRWN: DRWN BY    XXXX/XX/XX<br>APPR: APPR BY    XXXX/XX/XX                                       |  | DOCUMENT NUMBER: <b>SD-87898-001</b> DOC TYPE: PSD    DOC PART: 000    REVISION: B22 |
|   | DRAFT WHERE APPLICABLE MUST REMAIN WITHIN DIMENSIONS   | THIRD ANGLE PROJECTION  | DRAWING: <b>A3-SIZE</b> SERIES: <b>87898</b>                         | MATERIAL NUMBER:    CUSTOMER: <b>GENERAL MARKET</b> SHEET NUMBER: <b>9 OF 21</b>     |

| PACKAGING OPTION PART NO. |               |                  |               |                         |                      | CKT SIZE | VOID POSITION | PLATING TYPE | DIMENSION |       |       |      |      |
|---------------------------|---------------|------------------|---------------|-------------------------|----------------------|----------|---------------|--------------|-----------|-------|-------|------|------|
| TRAY WITHOUT CAP          | TRAY WITH CAP | TUBE WITHOUT CAP | TUBE WITH CAP | TAPE & REEL WITHOUT CAP | TAPE & REEL WITH CAP |          |               |              | A         | B     | G     | F    | M    |
| -----                     | -----         | 87898-2521       | 87898-2531    | -----                   | -----                | 25       | ----          | 1            | 63.50     | 60.96 | 10.81 | 9.65 | 5.84 |
| -----                     | -----         | 87898-2522       | 87898-2532    | -----                   | -----                | 25       | ----          | 2            | 63.50     | 60.96 | 10.81 | 9.65 | 5.84 |
| -----                     | -----         | 87898-2524       | 87898-2534    | -----                   | -----                | 25       | ----          | 4            | 63.50     | 60.96 | 10.81 | 9.65 | 5.84 |
| -----                     | -----         | 87898-2525       | 87898-2535    | -----                   | -----                | 25       | ----          | 5            | 63.50     | 60.96 | 10.81 | 9.65 | 5.84 |
| -----                     | -----         | 87898-2526       | 87898-2536    | -----                   | -----                | 25       | ----          | 6            | 63.50     | 60.96 | 10.81 | 9.65 | 5.84 |
|                           |               |                  |               |                         |                      |          |               |              |           |       |       |      |      |
|                           |               |                  |               |                         |                      |          |               |              |           |       |       |      |      |
| -----                     | -----         | 87898-2621       | 87898-2631    | -----                   | -----                | 26       | ----          | 1            | 66.04     | 63.50 | 10.81 | 9.65 | 5.84 |
| -----                     | -----         | 87898-2622       | 87898-2632    | -----                   | -----                | 26       | ----          | 2            | 66.04     | 63.50 | 10.81 | 9.65 | 5.84 |
| -----                     | -----         | 87898-2624       | 87898-2634    | -----                   | -----                | 26       | ----          | 4            | 66.04     | 63.50 | 10.81 | 9.65 | 5.84 |
| -----                     | -----         | 87898-2625       | 87898-2635    | -----                   | -----                | 26       | ----          | 5            | 66.04     | 63.50 | 10.81 | 9.65 | 5.84 |
| -----                     | -----         | 87898-2626       | 87898-2636    | -----                   | -----                | 26       | ----          | 6            | 66.04     | 63.50 | 10.81 | 9.65 | 5.84 |
|                           |               |                  |               |                         |                      |          |               |              |           |       |       |      |      |
|                           |               |                  |               |                         |                      |          |               |              |           |       |       |      |      |
| -----                     | -----         | 87898-2721       | 87898-2731    | -----                   | -----                | 27       | ----          | 1            | 68.58     | 66.04 | 10.81 | 9.65 | 5.84 |
| -----                     | -----         | 87898-2722       | 87898-2732    | -----                   | -----                | 27       | ----          | 2            | 68.58     | 66.04 | 10.81 | 9.65 | 5.84 |
| -----                     | -----         | 87898-2724       | 87898-2734    | -----                   | -----                | 27       | ----          | 4            | 68.58     | 66.04 | 10.81 | 9.65 | 5.84 |
| -----                     | -----         | 87898-2725       | 87898-2735    | -----                   | -----                | 27       | ----          | 5            | 68.58     | 66.04 | 10.81 | 9.65 | 5.84 |
| -----                     | -----         | 87898-2726       | 87898-2736    | -----                   | -----                | 27       | ----          | 6            | 68.58     | 66.04 | 10.81 | 9.65 | 5.84 |


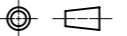
|         |   |       |   |
|---------|---|-------|---|
| SYMBOLS | THIS DRAWING CONTAINS INFORMATION THAT IS PROPRIETARY TO MOLEX ELECTRONIC TECHNOLOGIES, LLC AND SHOULD NOT BE USED WITHOUT WRITTEN PERMISSION |       |   |
|         | DIMENSION UNITS   | SCALE | CURRENT REV DESC: 878980757/SHT 2 CORR  |
| ▽ = 0   | mm  |       | <br>CUSTOMER HEADER<br>2.54MM PITCH SINGLE ROW SINGLE WAFER SMT HEADER                               |
| ▽ = 0   | GENERAL TOLERANCES (UNLESS SPECIFIED)   |       |   |
| ▽ = 0   |   | MM    | EC NO: 617791<br>DRWN: NMANE02 2019/06/03<br>CHK'D: GJEEVANSURES 2019/06/03<br>APPR: MRAMAKRISHNA 2019/06/07  |
| ▽ = 0   | 4 PLACES ±  | ±     |   |
| ▽ = 0   | 3 PLACES ±  | ±     | PRODUCT CUSTOMER DRAWING<br>DOCUMENT NUMBER: SD-87898-001   DOC TYPE: PSD   DOC PART: 000   REVISION: B22   |
| ▽ = 0   | 2 PLACES ±  | 0.2 ± |   |
| ▽ = 0   | 1 PLACE ±   | ±     | INITIAL REVISION:<br>DRWN: DRWN BY XXXX/XX/XX<br>APPR: APPR BY XXXX/XX/XX   |
| ▽ = 0   | 0 PLACES ±  | ±     |   |
| ▽ = 0   | ANGULAR TOL ±   | 3.0°  | DRAFT WHERE APPLICABLE MUST REMAIN WITHIN DIMENSIONS<br>THIRD ANGLE PROJECTION<br>DRAWING: A3-SIZE   SERIES: 87898   MATERIAL NUMBER:   CUSTOMER: GENERAL MARKET   SHEET NUMBER: 10 OF 21 |
| ▽ = 0   |   |       |   |

|                 |    |              |            |          |
|-----------------|----|--------------|------------|----------|
| DOCUMENT STATUS | P1 | RELEASE DATE | 2019/06/07 | 10:07:47 |
|-----------------|----|--------------|------------|----------|


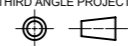
| PACKAGING OPTION PART NO. |               |                  |               |                         |                      | CKT SIZE | VOID POSITION | PLATING TYPE | DIMENSION |       |       |      |      |
|---------------------------|---------------|------------------|---------------|-------------------------|----------------------|----------|---------------|--------------|-----------|-------|-------|------|------|
| TRAY WITHOUT CAP          | TRAY WITH CAP | TUBE WITHOUT CAP | TUBE WITH CAP | TAPE & REEL WITHOUT CAP | TAPE & REEL WITH CAP |          |               |              | A         | B     | G     | F    | M    |
| -----                     | -----         | 87898-2821       | 87898-2831    | -----                   | -----                | 28       | ----          | 1            | 71.12     | 68.58 | 10.81 | 9.65 | 5.84 |
| -----                     | -----         | 87898-2822       | 87898-2832    | -----                   | -----                | 28       | ----          | 2            | 71.12     | 68.58 | 10.81 | 9.65 | 5.84 |
| -----                     | -----         | 87898-2824       | 87898-2834    | -----                   | -----                | 28       | ----          | 4            | 71.12     | 68.58 | 10.81 | 9.65 | 5.84 |
| -----                     | -----         | 87898-2825       | 87898-2835    | -----                   | -----                | 28       | ----          | 5            | 71.12     | 68.58 | 10.81 | 9.65 | 5.84 |
| -----                     | -----         | 87898-2826       | 87898-2836    | -----                   | -----                | 28       | ----          | 6            | 71.12     | 68.58 | 10.81 | 9.65 | 5.84 |
|                           |               |                  |               |                         |                      |          |               |              |           |       |       |      |      |
|                           |               |                  |               |                         |                      |          |               |              |           |       |       |      |      |
| -----                     | -----         | 87898-2921       | 87898-2931    | -----                   | -----                | 29       | ----          | 1            | 73.66     | 71.12 | 10.81 | 9.65 | 5.84 |
| -----                     | -----         | 87898-2922       | 87898-2932    | -----                   | -----                | 29       | ----          | 2            | 73.66     | 71.12 | 10.81 | 9.65 | 5.84 |
| -----                     | -----         | 87898-2924       | 87898-2934    | -----                   | -----                | 29       | ----          | 4            | 73.66     | 71.12 | 10.81 | 9.65 | 5.84 |
| -----                     | -----         | 87898-2925       | 87898-2935    | -----                   | -----                | 29       | ----          | 5            | 73.66     | 71.12 | 10.81 | 9.65 | 5.84 |
| -----                     | -----         | 87898-2926       | 87898-2936    | -----                   | -----                | 29       | ----          | 6            | 73.66     | 71.12 | 10.81 | 9.65 | 5.84 |
|                           |               |                  |               |                         |                      |          |               |              |           |       |       |      |      |
|                           |               |                  |               |                         |                      |          |               |              |           |       |       |      |      |
| -----                     | -----         | 87898-3021       | 87898-3031    | -----                   | -----                | 30       | ----          | 1            | 76.20     | 73.66 | 10.81 | 9.65 | 5.84 |
| -----                     | -----         | 87898-3022       | 87898-3032    | -----                   | -----                | 30       | ----          | 2            | 76.20     | 73.66 | 10.81 | 9.65 | 5.84 |
| -----                     | -----         | 87898-3024       | 87898-3034    | -----                   | -----                | 30       | ----          | 4            | 76.20     | 73.66 | 10.81 | 9.65 | 5.84 |
| -----                     | -----         | 87898-3025       | 87898-3035    | -----                   | -----                | 30       | ----          | 5            | 76.20     | 73.66 | 10.81 | 9.65 | 5.84 |
| -----                     | -----         | 87898-3026       | 87898-3036    | -----                   | -----                | 30       | ----          | 6            | 76.20     | 73.66 | 10.81 | 9.65 | 5.84 |

|         |   |       |   |                 |   |
|---------|---|-------|---|-----------------|---|
| SYMBOLS | THIS DRAWING CONTAINS INFORMATION THAT IS PROPRIETARY TO MOLEX ELECTRONIC TECHNOLOGIES, LLC AND SHOULD NOT BE USED WITHOUT WRITTEN PERMISSION |       | CURRENT REV DESC: 878980757/SHT 2 CORR  |                 |  |
|         | DIMENSION UNITS   | SCALE | EC NO: 617791   |                 |   |
| ▽ = 0   | mm  |       | DRWN: NMANE02 2019/06/03  |                 | 2.54MM PITCH SINGLE ROW SINGLE WAFER SMT HEADER                                       |
| ▽ = 0   | GENERAL TOLERANCES (UNLESS SPECIFIED)   |       | CHK'D: GJEEVANSURES 2019/06/03  |                 | PRODUCT CUSTOMER DRAWING  |
| ▽ = 0   |   |       | APPR: MRAMAKRISHNA 2019/06/07   |                 |   |
| ▽ = 0   | 4 PLACES ±  | ±     | INITIAL REVISION:   |                 | DOCUMENT NUMBER   |
| ▽ = 0   | 3 PLACES ±  | ±     | DRWN: DRWN BY XXXX/XX/XX  |                 | SD-87898-001  |
| ▽ = 0   | 2 PLACES ±  | 0.2 ± | APPR: APPR BY XXXX/XX/XX  |                 | DOC TYPE  |
| ▽ = 0   | 1 PLACE ±   | ±     |   |                 | PSD   |
| ▽ = 0   | 0 PLACES ±  | ±     |   |                 | DOC PART  |
| ▽ = 0   | ANGULAR TOL ± 3.0°  |       |   |                 | 000   |
| ▽ = 0   | DRAFT WHERE APPLICABLE MUST REMAIN WITHIN DIMENSIONS  |       | THIRD ANGLE PROJECTION  | DRAWING         | REVISION  |
| ▽ = 0   |   |       |  | A3-SIZE         | B22   |
|         |   |       | SERIES  | MATERIAL NUMBER | CUSTOMER  |
|         |   |       | 87898   |                 | GENERAL MARKET  |
|         |   |       |   |                 | SHEET NUMBER  |
|         |   |       |   |                 | 11 OF 21  |

| PACKAGING OPTION PART NO. |               |                  |               |                         |                      | CKT SIZE | VOID POSITION | PLATING TYPE | DIMENSION |       |       |      |      |
|---------------------------|---------------|------------------|---------------|-------------------------|----------------------|----------|---------------|--------------|-----------|-------|-------|------|------|
| TRAY WITHOUT CAP          | TRAY WITH CAP | TUBE WITHOUT CAP | TUBE WITH CAP | TAPE & REEL WITHOUT CAP | TAPE & REEL WITH CAP |          |               |              | A         | B     | G     | F    | M    |
| -----                     | -----         | 87898-3121       | 87898-3131    | -----                   | -----                | 31       | ----          | 1            | 78.74     | 76.20 | 10.81 | 9.65 | 5.84 |
| -----                     | -----         | 87898-3122       | 87898-3132    | -----                   | -----                | 31       | ----          | 2            | 78.74     | 76.20 | 10.81 | 9.65 | 5.84 |
| -----                     | -----         | 87898-3124       | 87898-3134    | -----                   | -----                | 31       | ----          | 4            | 78.74     | 76.20 | 10.81 | 9.65 | 5.84 |
| -----                     | -----         | 87898-3125       | 87898-3135    | -----                   | -----                | 31       | ----          | 5            | 78.74     | 76.20 | 10.81 | 9.65 | 5.84 |
| -----                     | -----         | 87898-3126       | 87898-3136    | -----                   | -----                | 31       | ----          | 6            | 78.74     | 76.20 | 10.81 | 9.65 | 5.84 |
|                           |               |                  |               |                         |                      |          |               |              |           |       |       |      |      |
|                           |               |                  |               |                         |                      |          |               |              |           |       |       |      |      |
| -----                     | -----         | 87898-3221       | 87898-3231    | -----                   | -----                | 32       | ----          | 1            | 81.28     | 78.74 | 10.81 | 9.65 | 5.84 |
| -----                     | -----         | 87898-3222       | 87898-3232    | -----                   | -----                | 32       | ----          | 2            | 81.28     | 78.74 | 10.81 | 9.65 | 5.84 |
| -----                     | -----         | 87898-3224       | 87898-3234    | -----                   | -----                | 32       | ----          | 4            | 81.28     | 78.74 | 10.81 | 9.65 | 5.84 |
| -----                     | -----         | 87898-3225       | 87898-3235    | -----                   | -----                | 32       | ----          | 5            | 81.28     | 78.74 | 10.81 | 9.65 | 5.84 |
| -----                     | -----         | 87898-3226       | 87898-3236    | -----                   | -----                | 32       | ----          | 6            | 81.28     | 78.74 | 10.81 | 9.65 | 5.84 |
|                           |               |                  |               |                         |                      |          |               |              |           |       |       |      |      |
|                           |               |                  |               |                         |                      |          |               |              |           |       |       |      |      |
| -----                     | -----         | 87898-3321       | 87898-3331    | -----                   | -----                | 33       | ----          | 1            | 83.82     | 81.28 | 10.81 | 9.65 | 5.84 |
| -----                     | -----         | 87898-3322       | 87898-3332    | -----                   | -----                | 33       | ----          | 2            | 83.82     | 81.28 | 10.81 | 9.65 | 5.84 |
| -----                     | -----         | 87898-3324       | 87898-3334    | -----                   | -----                | 33       | ----          | 4            | 83.82     | 81.28 | 10.81 | 9.65 | 5.84 |
| -----                     | -----         | 87898-3325       | 87898-3335    | -----                   | -----                | 33       | ----          | 5            | 83.82     | 81.28 | 10.81 | 9.65 | 5.84 |
| -----                     | -----         | 87898-3326       | 87898-3336    | -----                   | -----                | 33       | ----          | 6            | 83.82     | 81.28 | 10.81 | 9.65 | 5.84 |

|         |   |        |   |                               |   |
|---------|---|--------|---|-------------------------------|---|
| SYMBOLS | THIS DRAWING CONTAINS INFORMATION THAT IS PROPRIETARY TO MOLEX ELECTRONIC TECHNOLOGIES, LLC AND SHOULD NOT BE USED WITHOUT WRITTEN PERMISSION |        | CURRENT REV DESC: 878980757/SHT 2 CORR  |                               |  |
|         | DIMENSION UNITS   | SCALE  | EC NO: 617791   |                               |   |
| ▽ = 0   | mm  |        | DRWN: NMANE02 2019/06/03  |                               | DOC TYPE  |
| ▽ = 0   | GENERAL TOLERANCES (UNLESS SPECIFIED)   |        | CHK'D: GJEEVANSURES 2019/06/03  |                               | DOC PART  |
| ▽ = 0   |   | MM     | INCH  | APPR: MRAMAKRISHNA 2019/06/07 | REVISION  |
| ▽ = 0   | 4 PLACES  | ±      | ±   | INITIAL REVISION:             | SD-87898-001  |
| ▽ = 0   | 3 PLACES  | ±      | ±   | DRWN: DRWN BY XXXX/XX/XX      |   |
| ▽ = 0   | 2 PLACES  | ± 0.2  | ±   | APPR: APPR BY XXXX/XX/XX      | PSD   |
| ▽ = 0   | 1 PLACE   | ±      | ±   |                               | 000   |
| ▽ = 0   | 0 PLACES  | ±      | ±   |                               | B22   |
| ▽ = 0   | ANGULAR TOL   | ± 3.0° |   |                               |   |
| ■ = 0   | DRAFT WHERE APPLICABLE MUST REMAIN WITHIN DIMENSIONS  |        | THIRD ANGLE PROJECTION  | DRAWING                       | SHEET NUMBER  |
| ▽ = 0   |   |        |  | A3-SIZE                       | 12 OF 21  |
|         |   |        | SERIES  | MATERIAL NUMBER               | CUSTOMER  |
|         |   |        | 87898   |                               | GENERAL MARKET  |

| PACKAGING OPTION PART NO. |               |                  |               |                         |                      | CKT SIZE | VOID POSITION | PLATING TYPE | DIMENSION |       |       |      |      |
|---------------------------|---------------|------------------|---------------|-------------------------|----------------------|----------|---------------|--------------|-----------|-------|-------|------|------|
| TRAY WITHOUT CAP          | TRAY WITH CAP | TUBE WITHOUT CAP | TUBE WITH CAP | TAPE & REEL WITHOUT CAP | TAPE & REEL WITH CAP |          |               |              | A         | B     | G     | F    | M    |
| -----                     | -----         | 87898-3421       | 87898-3431    | -----                   | -----                | 34       | -----         | 1            | 86.36     | 83.82 | 10.81 | 9.65 | 5.84 |
| -----                     | -----         | 87898-3422       | 87898-3432    | -----                   | -----                | 34       | -----         | 2            | 86.36     | 83.82 | 10.81 | 9.65 | 5.84 |
| -----                     | -----         | 87898-3424       | 87898-3434    | -----                   | -----                | 34       | -----         | 4            | 86.36     | 83.82 | 10.81 | 9.65 | 5.84 |
| -----                     | -----         | 87898-3425       | 87898-3435    | -----                   | -----                | 34       | -----         | 5            | 86.36     | 83.82 | 10.81 | 9.65 | 5.84 |
| -----                     | -----         | 87898-3426       | 87898-3436    | -----                   | -----                | 34       | -----         | 6            | 86.36     | 83.82 | 10.81 | 9.65 | 5.84 |
|                           |               |                  |               |                         |                      |          |               |              |           |       |       |      |      |
|                           |               |                  |               |                         |                      |          |               |              |           |       |       |      |      |
| -----                     | -----         | 87898-3521       | 87898-3531    | -----                   | -----                | 35       | -----         | 1            | 88.90     | 86.36 | 10.81 | 9.65 | 5.84 |
| -----                     | -----         | 87898-3522       | 87898-3532    | -----                   | -----                | 35       | -----         | 2            | 88.90     | 86.36 | 10.81 | 9.65 | 5.84 |
| -----                     | -----         | 87898-3524       | 87898-3534    | -----                   | -----                | 35       | -----         | 4            | 88.90     | 86.36 | 10.81 | 9.65 | 5.84 |
| -----                     | -----         | 87898-3525       | 87898-3535    | -----                   | -----                | 35       | -----         | 5            | 88.90     | 86.36 | 10.81 | 9.65 | 5.84 |
| -----                     | -----         | 87898-3526       | 87898-3536    | -----                   | -----                | 35       | -----         | 6            | 88.90     | 86.36 | 10.81 | 9.65 | 5.84 |
|                           |               |                  |               |                         |                      |          |               |              |           |       |       |      |      |
|                           |               |                  |               |                         |                      |          |               |              |           |       |       |      |      |
| -----                     | -----         | 87898-3621       | 87898-3631    | -----                   | -----                | 36       | -----         | 1            | 91.44     | 88.90 | 10.81 | 9.65 | 5.84 |
| -----                     | -----         | 87898-3622       | 87898-3632    | -----                   | -----                | 36       | -----         | 2            | 91.44     | 88.90 | 10.81 | 9.65 | 5.84 |
| -----                     | -----         | 87898-3624       | 87898-3634    | -----                   | -----                | 36       | -----         | 4            | 91.44     | 88.90 | 10.81 | 9.65 | 5.84 |
| -----                     | -----         | 87898-3625       | 87898-3635    | -----                   | -----                | 36       | -----         | 5            | 91.44     | 88.90 | 10.81 | 9.65 | 5.84 |
| -----                     | -----         | 87898-3626       | 87898-3636    | -----                   | -----                | 36       | -----         | 6            | 91.44     | 88.90 | 10.81 | 9.65 | 5.84 |

|  |   |   |       |               |  |                 |                |              |   |     |
|--|---|---|-------|---------------|--|-----------------|----------------|--------------|---|-----|
| SYMBOLS  | THIS DRAWING CONTAINS INFORMATION THAT IS PROPRIETARY TO MOLEX ELECTRONIC TECHNOLOGIES, LLC AND SHOULD NOT BE USED WITHOUT WRITTEN PERMISSION |   |       |               |  |                 |                |              |   |     |
|  | DIMENSION UNITS   |   | SCALE |               | CURRENT REV DESC: 878980757/SHT 2 CORR |                 |                |              |  |     |
|  | mm  |   |       |               |  |                 |                |              |   |     |
|  | GENERAL TOLERANCES (UNLESS SPECIFIED)   |   |       |               |  |                 |                |              |   |     |
|  |   |   | MM    | INCH          | EC NO: 617791                          |                 | 2019/06/03     |              | CUSTOM HEADER<br>2.54MM PITCH SINGLE ROW SINGLE WAFER SMT<br>HEADER                   |     |
|  | 4 PLACES ±  |   | ±     | ±             | DRWN: NMANE02                          |                 | 2019/06/03     |              |   |     |
|  | 3 PLACES ±  |   | ±     | ±             | CHK'D: GJEEVANSURES                    |                 | 2019/06/03     |              | PRODUCT CUSTOMER DRAWING  |     |
|  | 2 PLACES ± 0.2  |   | ±     | ±             | APPR: MRAMAKRISHNA                     |                 | 2019/06/07     |              |   |     |
|  | 1 PLACE ±   |   | ±     | ±             | INITIAL REVISION:                      |                 |                |              | DOCUMENT NUMBER<br><b>SD-87898-001</b>  |     |
|  | 0 PLACES ±  |   | ±     | ±             | DRWN: DRWN BY                          |                 | XXXX/XX/XX     |              |   |     |
| ANGULAR TOL ± 3.0°                                   |   | ±   | 3.0°  | APPR: APPR BY |  | XXXX/XX/XX      |                | PSD          | 000   | B22 |
| DRAFT WHERE APPLICABLE MUST REMAIN WITHIN DIMENSIONS |   | THIRD ANGLE PROJECTION  |       | DRAWING       | SERIES                                 | MATERIAL NUMBER | CUSTOMER       | SHEET NUMBER |   |     |
|  |   |  |       | A3-SIZE       | 87898                                  |                 | GENERAL MARKET | 13 OF 21     |   |     |


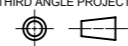
|                 |    |              |            |          |
|-----------------|----|--------------|------------|----------|
| DOCUMENT STATUS | P1 | RELEASE DATE | 2019/06/07 | 10:07:47 |
|-----------------|----|--------------|------------|----------|

| PACKAGING OPTION PART NO. |               |                  |               |                         |                      | CKT SIZE | VOID POSITION | PLATING TYPE | DIMENSION |       |       |      |      |
|---------------------------|---------------|------------------|---------------|-------------------------|----------------------|----------|---------------|--------------|-----------|-------|-------|------|------|
| TRAY WITHOUT CAP          | TRAY WITH CAP | TUBE WITHOUT CAP | TUBE WITH CAP | TAPE & REEL WITHOUT CAP | TAPE & REEL WITH CAP |          |               |              | A         | B     | G     | F    | M    |
| -----                     | -----         | 87898-3721       | 87898-3731    | -----                   | -----                | 37       | ----          | 1            | 93.98     | 91.44 | 10.81 | 9.65 | 5.84 |
| -----                     | -----         | 87898-3722       | 87898-3732    | -----                   | -----                | 37       | ----          | 2            | 93.98     | 91.44 | 10.81 | 9.65 | 5.84 |
| -----                     | -----         | 87898-3724       | 87898-3734    | -----                   | -----                | 37       | ----          | 4            | 93.98     | 91.44 | 10.81 | 9.65 | 5.84 |
| -----                     | -----         | 87898-3725       | 87898-3735    | -----                   | -----                | 37       | ----          | 5            | 93.98     | 91.44 | 10.81 | 9.65 | 5.84 |
| -----                     | -----         | 87898-3726       | 87898-3736    | -----                   | -----                | 37       | ----          | 6            | 93.98     | 91.44 | 10.81 | 9.65 | 5.84 |
|                           |               |                  |               |                         |                      |          |               |              |           |       |       |      |      |
|                           |               |                  |               |                         |                      |          |               |              |           |       |       |      |      |
| -----                     | -----         | 87898-3821       | 87898-3831    | -----                   | -----                | 38       | ----          | 1            | 96.52     | 93.98 | 10.81 | 9.65 | 5.84 |
| -----                     | -----         | 87898-3822       | 87898-3832    | -----                   | -----                | 38       | ----          | 2            | 96.52     | 93.98 | 10.81 | 9.65 | 5.84 |
| -----                     | -----         | 87898-3824       | 87898-3834    | -----                   | -----                | 38       | ----          | 4            | 96.52     | 93.98 | 10.81 | 9.65 | 5.84 |
| -----                     | -----         | 87898-3825       | 87898-3835    | -----                   | -----                | 38       | ----          | 5            | 96.52     | 93.98 | 10.81 | 9.65 | 5.84 |
| -----                     | -----         | 87898-3826       | 87898-3836    | -----                   | -----                | 38       | ----          | 6            | 96.52     | 93.98 | 10.81 | 9.65 | 5.84 |
|                           |               |                  |               |                         |                      |          |               |              |           |       |       |      |      |
|                           |               |                  |               |                         |                      |          |               |              |           |       |       |      |      |
| -----                     | -----         | 87898-3921       | 87898-3931    | -----                   | -----                | 39       | ----          | 1            | 99.06     | 96.52 | 10.81 | 9.65 | 5.84 |
| -----                     | -----         | 87898-3922       | 87898-3932    | -----                   | -----                | 39       | ----          | 2            | 99.06     | 96.52 | 10.81 | 9.65 | 5.84 |
| -----                     | -----         | 87898-3924       | 87898-3934    | -----                   | -----                | 39       | ----          | 4            | 99.06     | 96.52 | 10.81 | 9.65 | 5.84 |
| -----                     | -----         | 87898-3925       | 87898-3935    | -----                   | -----                | 39       | ----          | 5            | 99.06     | 96.52 | 10.81 | 9.65 | 5.84 |
| -----                     | -----         | 87898-3926       | 87898-3936    | -----                   | -----                | 39       | ----          | 6            | 99.06     | 96.52 | 10.81 | 9.65 | 5.84 |

|              |   |                                       |  |
|--------------|---|---------------------------------------|--|
| SYMBOLS      | THIS DRAWING CONTAINS INFORMATION THAT IS PROPRIETARY TO MOLEX ELECTRONIC TECHNOLOGIES, LLC AND SHOULD NOT BE USED WITHOUT WRITTEN PERMISSION |                                       |  |
|              | DIMENSION UNITS   | SCALE                                 | CURRENT REV DESC: 878980757/SHT 2 CORR   |
|              | $\nabla = 0$  | mm                                    | <b>molex</b><br>CUSTOM HEADER<br>2.54MM PITCH SINGLE ROW SINGLE WAFER SMT HEADER<br>PRODUCT CUSTOMER DRAWING |
|              | $\nabla = 0$  | GENERAL TOLERANCES (UNLESS SPECIFIED) |  |
| $\nabla = 0$ | MM  | INCH                                  |  |
| $\nabla = 0$ | 4 PLACES  | ±                                     | ±  |
| $\nabla = 0$ | 3 PLACES  | ±                                     | ±  |
| $\nabla = 0$ | 2 PLACES  | ± 0.2                                 | ±  |
| $\nabla = 0$ | 1 PLACE   | ±                                     | ±  |
| $\nabla = 0$ | 0 PLACES  | ±                                     | ±  |
| $\nabla = 0$ | ANGULAR TOL   | ± 3.0°                                |  |
| $\nabla = 0$ | DRAFT WHERE APPLICABLE MUST REMAIN WITHIN DIMENSIONS  | THIRD ANGLE PROJECTION                | DRAWING  |
| $\nabla = 0$ |   |                                       | A3-SIZE  |
|              |   | SERIES                                | 87898  |
|              |   | MATERIAL NUMBER                       |  |
|              |   | CUSTOMER                              | GENERAL MARKET   |
|              |   | SHEET NUMBER                          | 14 OF 21   |

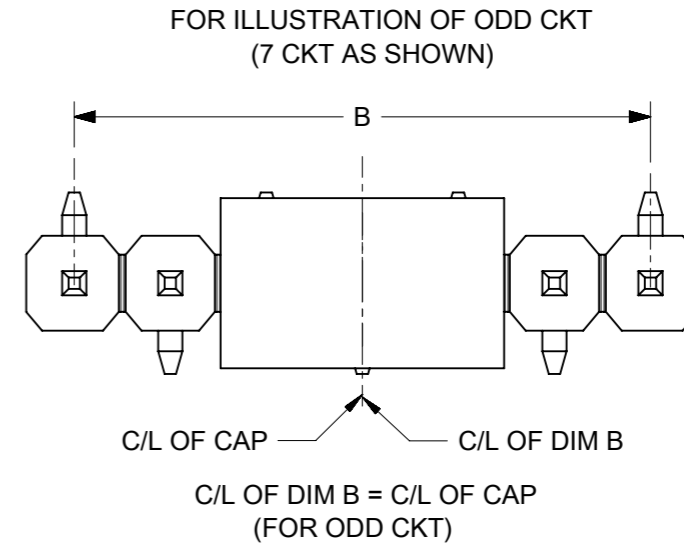
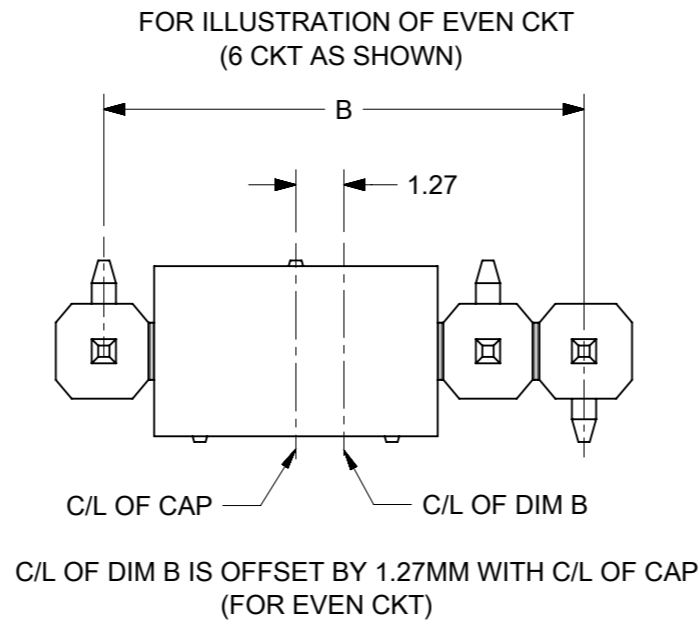
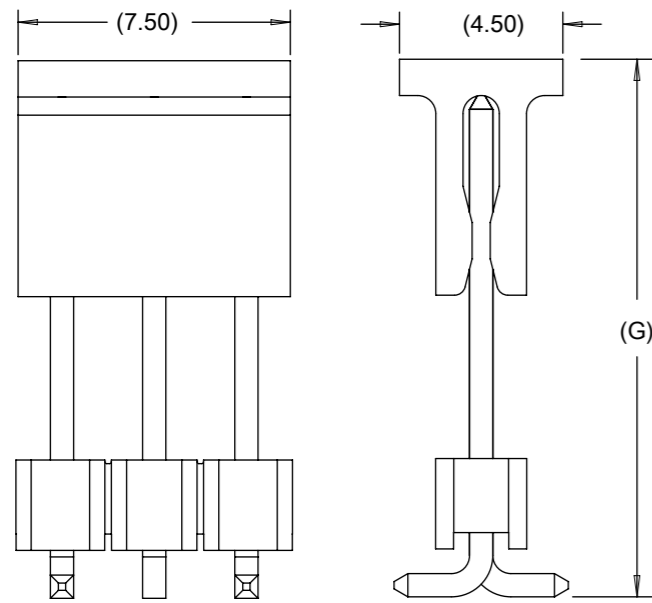
|                 |    |              |            |          |
|-----------------|----|--------------|------------|----------|
| DOCUMENT STATUS | P1 | RELEASE DATE | 2019/06/07 | 10:07:47 |
|-----------------|----|--------------|------------|----------|

| PACKAGING OPTION PART NO. |               |                  |               |                         |                      | CKT SIZE | VOID POSITION | PLATING TYPE | DIMENSION |       |       |      |      |
|---------------------------|---------------|------------------|---------------|-------------------------|----------------------|----------|---------------|--------------|-----------|-------|-------|------|------|
| TRAY WITHOUT CAP          | TRAY WITH CAP | TUBE WITHOUT CAP | TUBE WITH CAP | TAPE & REEL WITHOUT CAP | TAPE & REEL WITH CAP |          |               |              | A         | B     | G     | F    | M    |
| -----                     | -----         | 87898-4021       | 87898-4031    | -----                   | -----                | 40       | -----         | 1            | 101.60    | 99.06 | 10.81 | 9.65 | 5.84 |
| -----                     | -----         | 87898-4022       | 87898-4032    | -----                   | -----                | 40       | -----         | 2            | 101.60    | 99.06 | 10.81 | 9.65 | 5.84 |
| -----                     | -----         | 87898-4024       | 87898-4034    | -----                   | -----                | 40       | -----         | 4            | 101.60    | 99.06 | 10.81 | 9.65 | 5.84 |
| -----                     | -----         | 87898-4025       | 87898-4035    | -----                   | -----                | 40       | -----         | 5            | 101.60    | 99.06 | 10.81 | 9.65 | 5.84 |
| -----                     | -----         | 87898-4026       | 87898-4036    | -----                   | -----                | 40       | -----         | 6            | 101.60    | 99.06 | 10.81 | 9.65 | 5.84 |

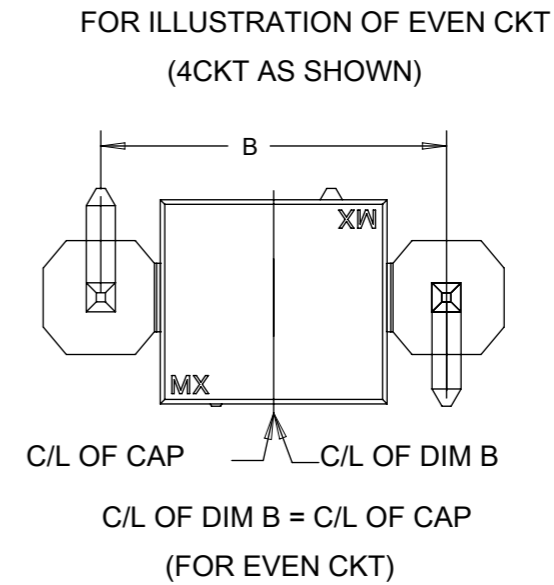
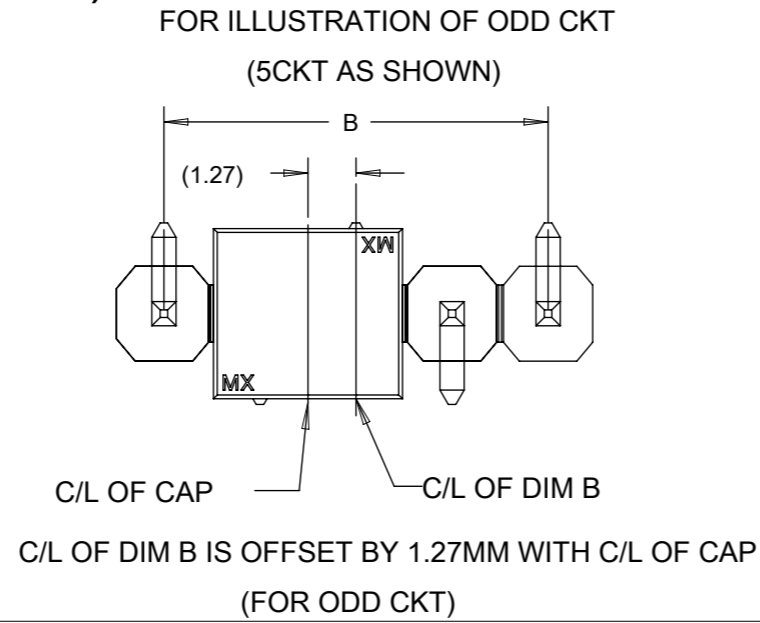
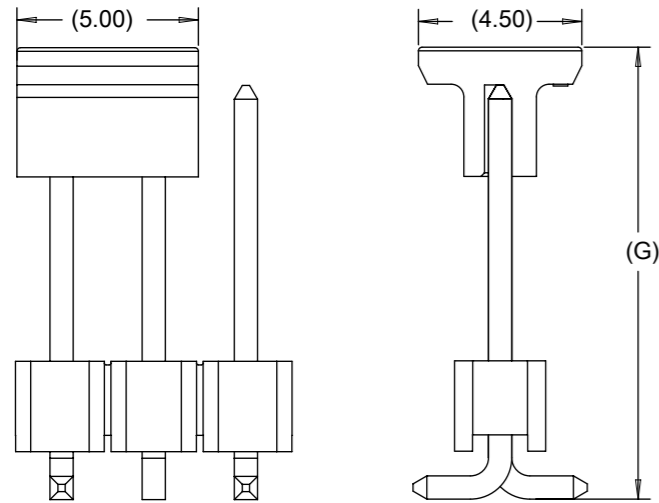
|         |   |       |   |                                |         |        |                 |                |  |   |                          |               |
|---------|---|-------|---|--------------------------------|---------|--------|-----------------|----------------|--|---|--------------------------|---------------|
| SYMBOLS | THIS DRAWING CONTAINS INFORMATION THAT IS PROPRIETARY TO MOLEX ELECTRONIC TECHNOLOGIES, LLC AND SHOULD NOT BE USED WITHOUT WRITTEN PERMISSION |       |   |                                |         |        |                 |                |  |   |                          |               |
|         | DIMENSION UNITS   | SCALE | CURRENT REV DESC: 878980757/SHT 2 CORR  |                                |         |        |                 |                |  |  |                          |               |
| ▽ = 0   | mm  |       | EC NO: 617791   |                                |         |        |                 |                |  |   |                          | CUSTOM HEADER |
| ▽ = 0   | GENERAL TOLERANCES (UNLESS SPECIFIED)   |       | DRWN: NMANE02 2019/06/03  |                                |         |        |                 |                |  | 2.54MM PITCH SINGLE ROW SINGLE WAFER SMT HEADER                                       |                          |               |
| ▽ = 0   |   | MM    | INCH  | CHK'D: GJEEVANSURES 2019/06/03 |         |        |                 |                |  |   | PRODUCT CUSTOMER DRAWING |               |
| ▽ = 0   | 4 PLACES  | ±     | ±   | APPR: MRAMAKRISHNA 2019/06/07  |         |        |                 |                |  |   |                          |               |
| ▽ = 0   | 3 PLACES  | ±     | ±   | INITIAL REVISION:              |         |        |                 |                |  |   | DOCUMENT NUMBER          |               |
| ▽ = 0   | 2 PLACES  | ± 0.2 | ±   | DRWN: DRWN BY XXXX/XX/XX       |         |        |                 |                |  |   | SD-87898-001             |               |
| ▽ = 0   | 1 PLACE   | ±     | ±   | APPR: APPR BY XXXX/XX/XX       |         |        |                 |                |  |   | PSD 000 B22              |               |
| ☒ = 0   | 0 PLACES  | ±     | ±   | ANGULAR TOL ± 3.0°             |         |        |                 |                |  |   | REVISION                 |               |
| ■ = 0   | DRAFT WHERE APPLICABLE MUST REMAIN WITHIN DIMENSIONS  |       | THIRD ANGLE PROJECTION  |                                | DRAWING | SERIES | MATERIAL NUMBER | CUSTOMER       |  | SHEET NUMBER  |                          |               |
| ▽ = 0   |   |       |  |                                | A3-SIZE | 87898  |                 | GENERAL MARKET |  | 15 OF 21  |                          |               |

|                 |    |              |            |          |
|-----------------|----|--------------|------------|----------|
| DOCUMENT STATUS | P1 | RELEASE DATE | 2019/06/07 | 10:07:47 |
|-----------------|----|--------------|------------|----------|

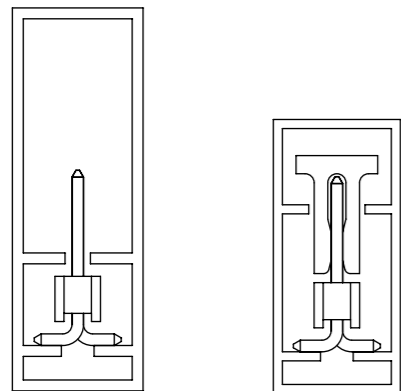
# CAP ORIENTATION (CAP P/N: 87938-0001)



# CAP ORIENTATION (CAP P/N: 87898-1000)



# PART ORIENTATION IN TUBE



PART WITHOUT CAP

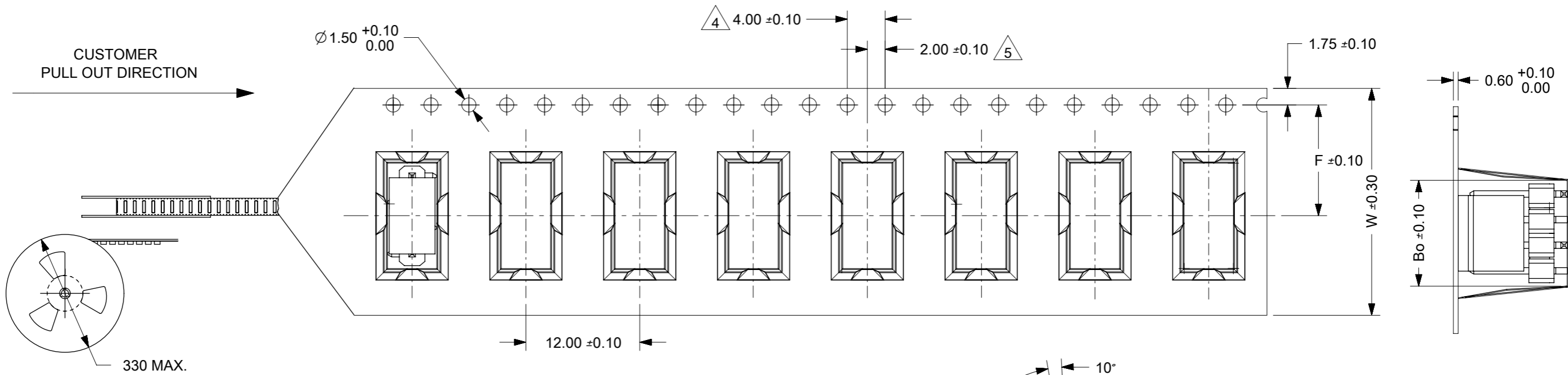
PART WITH CAP

|         |   |         |  |  |   |  |  |
|---------|---|---------|--|--|---|--|--|
| SYMBOLS | THIS DRAWING CONTAINS INFORMATION THAT IS PROPRIETARY TO MOLEX ELECTRONIC TECHNOLOGIES, LLC AND SHOULD NOT BE USED WITHOUT WRITTEN PERMISSION |         | CURRENT REV DESC: 878980757/SHT 2 CORR               |  |   |  |  |
|         | DIMENSION UNITS   | SCALE   |  |  |   |  |  |
| ▽ = 0   | mm  |         | EC NO: 617791  |  | CUSTOMER  |  |  |
| ▽ = 0   | GENERAL TOLERANCES (UNLESS SPECIFIED)   |         | DRWN: NMANE02 2019/06/03                             |  | 2.54MM PITCH SINGLE ROW SINGLE WAFER SMT HEADER |  |  |
| ▽ = 0   |   | MM INCH | CHK'D: GJEEVANSURES 2019/06/03                       |  | PRODUCT CUSTOMER DRAWING                        |  |  |
| ▽ = 0   | 4 PLACES ±  | ±       | APPR: MRAMAKRISHNA 2019/06/07                        |  | DOCUMENT NUMBER                                 |  |  |
| ▽ = 0   | 3 PLACES ±  | ±       | INITIAL REVISION:                                    |  | SD-87898-001                                    |  |  |
| ▽ = 0   | 2 PLACES ±  | 0.2 ±   | DRWN: GGUNAGI 2016/11/09                             |  | DOC TYPE DOC PART REVISION                      |  |  |
| ▽ = 0   | 1 PLACE ±   | ±       | APPR: ISHWARG 2016/12/06                             |  | PSD 000 B22                                     |  |  |
| ▽ = 0   | 0 PLACES ±  | ±       | DRAFT WHERE APPLICABLE MUST REMAIN WITHIN DIMENSIONS |  | MATERIAL NUMBER                                 |  |  |
| ▽ = 0   | ANGULAR TOL ± 3.0°  |         | THIRD ANGLE PROJECTION                               |  | CUSTOMER  |  |  |
| ▽ = 0   |   |         | DRAWING  |  | SHEET NUMBER                                    |  |  |
| ▽ = 0   |   |         | A3-SIZE  |  | SEE TABLE GENERAL MARKET 16 OF 21               |  |  |
| ▽ = 0   |   |         | SERIES   |  |   |  |  |
| ▽ = 0   |   |         | 87898  |  |   |  |  |

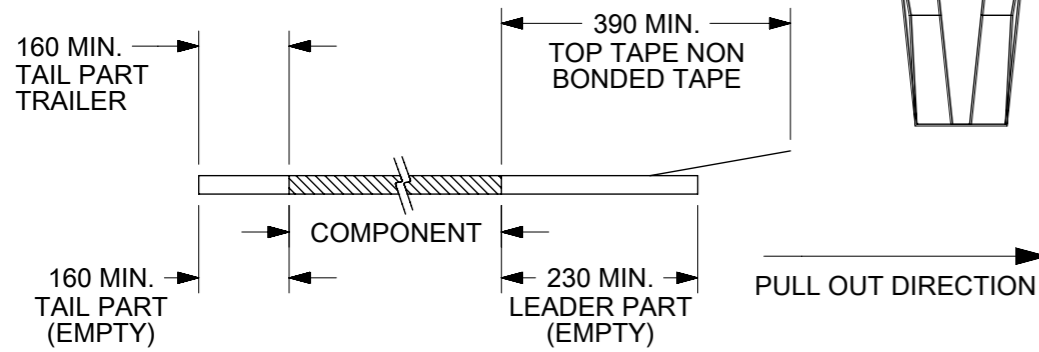


EMBOSED CARRIER TYPE 'A'

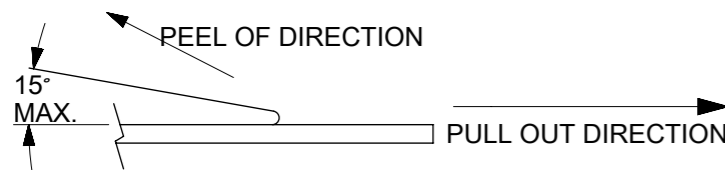
| CKT | DIMENSION |      |       |       |       |
|-----|-----------|------|-------|-------|-------|
|     | Bo        | Ao   | Ko    | F     | W     |
| 2   | 8.02      | 5.20 | 13.60 | 11.50 | 24.00 |
| 3   | 8.02      | 5.20 | 13.60 | 11.50 | 24.00 |
| 4   | 10.55     | 5.20 | 13.60 | 11.50 | 24.00 |



NOTES:  
1. LEADER AND TRAILER TAPE



2. PEELING OFF FORCE OF THE TOP TAPE: 20 - 80gf.  
(PEELING DIRECTION AS SHOWN IN FOLLOWING FIGURE)



3. MATERIAL: BLACK P.S CONDUCTIVE, BLACK

4. MEASURED FROM CENTRELINE OF SPROCKET HOLE TO CENTRELINE OF SPOCKET

5. CUMULATIVE TOLERANCE OF 10 SPROCKET HOLE IS  $\pm 0.20$ mm

6. A0 AND B0 ARE MEASURE FROM ABOVE POCKET BASE 0.30mm

7. TAPE AND REEL SPECIFICATION IS AS PER EIA-481.

8. TAPE AND REEL QUANTITY : 440PCS/REEL

9. THE TAPE IS TREATED FOR ANTI-STATIC.

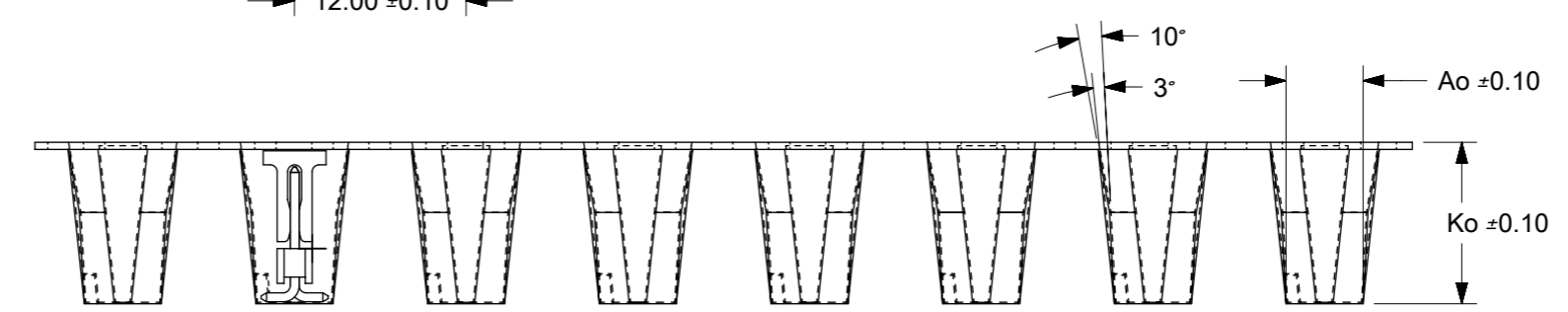
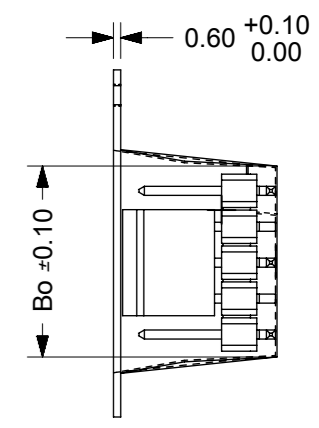
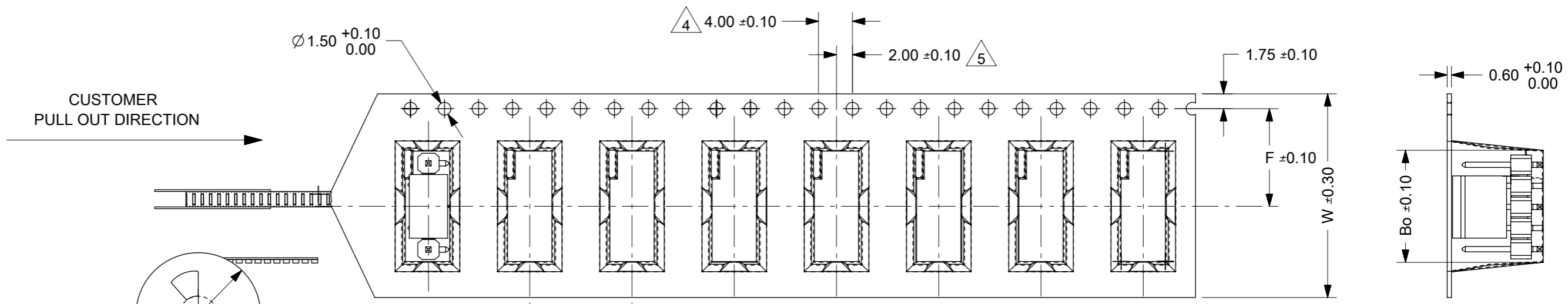
10. ALL RADIUS ARE 0.30MM UNLESS SPECIFY

11. SURFACE RESISTIVITY  $10^3$  TO  $10^4$  OHMS.

PART PACK  
IN E/TAPE  
ORIENTATION  
(FOR REF USE)

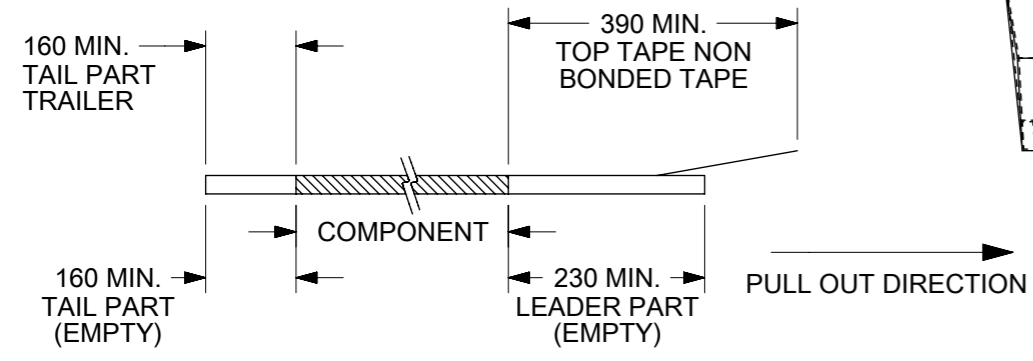
| SYMBOLS      |  | THIS DRAWING CONTAINS INFORMATION THAT IS PROPRIETARY TO MOLEX ELECTRONIC TECHNOLOGIES, LLC AND SHOULD NOT BE USED WITHOUT WRITTEN PERMISSION |  |
|--------------|--|---|--|
| $\nabla = 0$ | mm   | SCALE   | CURRENT REV DESC: 878980757/SHT 2 CORR   |
| $\nabla = 0$ | GENERAL TOLERANCES (UNLESS SPECIFIED)                |   | EC NO: 617791<br>DRWN: NMANE02 2019/06/03<br>CHK'D: GJEEVANSURES 2019/06/03<br>APPR: MRAMAKRISHNA 2019/06/07 |
| $\nabla = 0$ | MM   | INCH  |  |
| $\nabla = 0$ | 4 PLACES   | $\pm$   | INITIAL REVISION:<br>DRWN: DRWN BY XXXX/XX/XX<br>APPR: APPR BY XXXX/XX/XX                                    |
| $\nabla = 0$ | 3 PLACES   | $\pm$   |  |
| $\nabla = 0$ | 2 PLACES   | $\pm 0.2$   | DOCUMENT NUMBER: SD-87898-001<br>DOC TYPE: PSD<br>DOC PART: 000<br>REVISION: B22                             |
| $\nabla = 0$ | 1 PLACE  | $\pm$   |  |
| $\nabla = 0$ | 0 PLACES   | $\pm$   | MATERIAL NUMBER: 87898<br>CUSTOMER: GENERAL MARKET<br>SHEET NUMBER: 17 OF 21                                 |
| $\nabla = 0$ | ANGULAR TOL  | $\pm 3.0^\circ$   |  |
| $\nabla = 0$ | DRAFT WHERE APPLICABLE MUST REMAIN WITHIN DIMENSIONS |   | THIRD ANGLE PROJECTION<br>DRAWING: A3-SIZE<br>SERIES: 87898  |

| CKT | DIMENSION |      |       |       |       |
|-----|-----------|------|-------|-------|-------|
|     | Bo        | Ao   | Ko    | F     | W     |
| 5   | 13.10     | 5.20 | 11.30 | 11.50 | 24.00 |

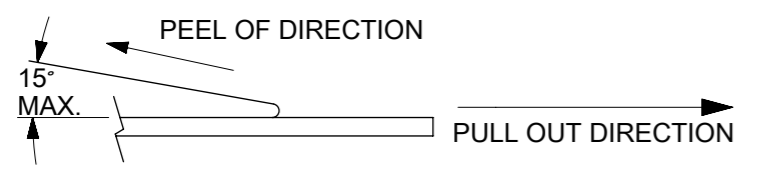


PART PACK  
IN E/TAPE  
ORIENTATION  
(FOR REF USE)

NOTES:  
1. LEADER AND TRAILER TAPE

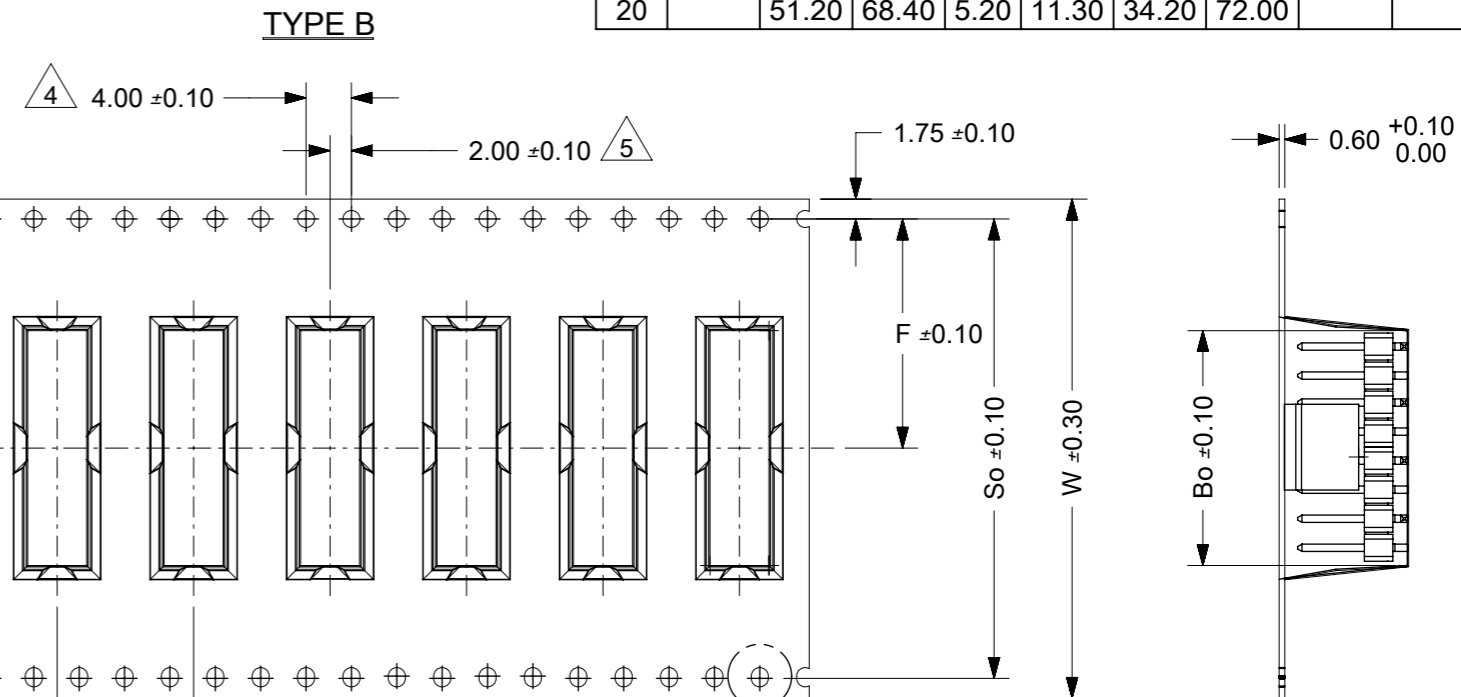
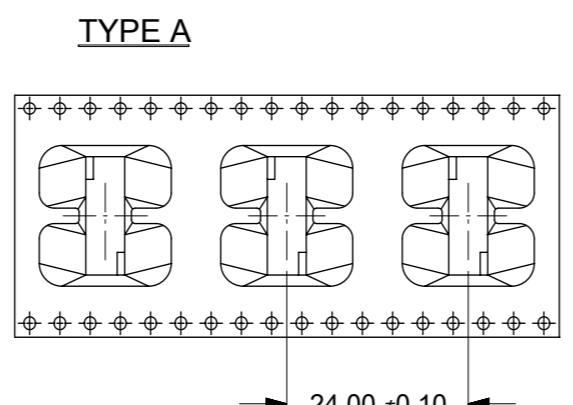
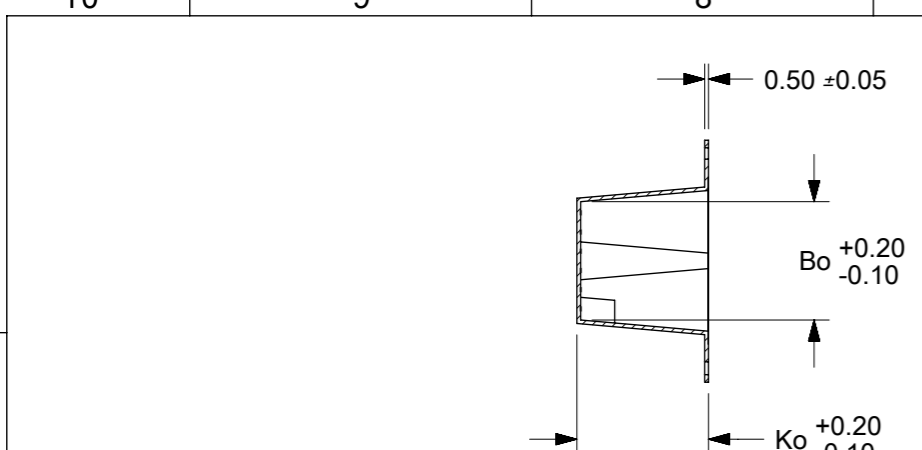


2. PEELING OFF FORCE OF THE TOP TAPE: 20 - 80gf.  
(PEELING DIRECTION AS SHOWN IN FOLLOWING FIGURE)

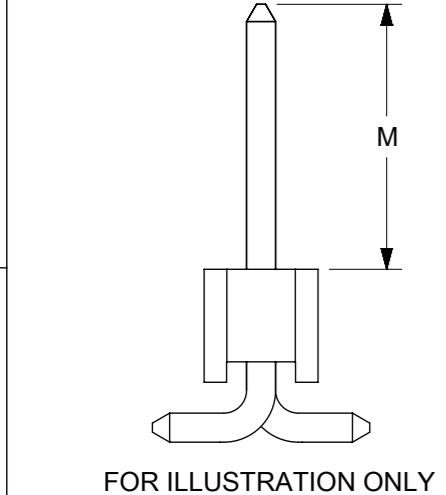


- 3. MATERIAL: BLACK P.S CONDUCTIVE, BLACK
- 4. MEASURED FROM CENTRELINE OF SPROCKET HOLE TO CENTRELINE OF SPOCKET
- 5. CUMULATIVE TOLERANCE OF 10 SPROCKET HOLE IS ±0.20mm
- 6. A0 AND B0 ARE MEASURE FROM ABOVE POCKET BASE 0.30mm
- 7. TAPE AND REEL SPECIFICATION IS AS PER EIA-481.
- 8. TAPE AND REEL QUANTITY : 440PCS/REEL
- 9. THE TAPE IS TREATED FOR ANTI-STATIC.
- 10. ALL RADIUS ARE 0.30MM UNLESS SPECIFY
- 11. SURFACE RESISTIVITY 10<sup>3</sup> TO 10 OHMS.

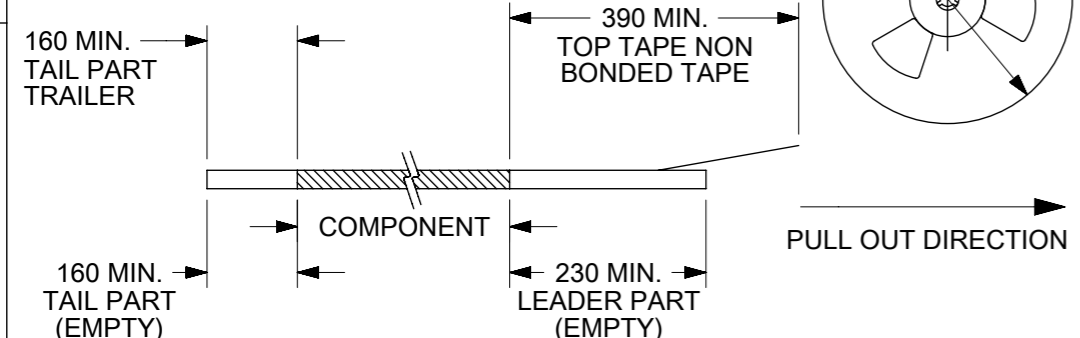
|         |   |       |  |  |
|---------|---|-------|--|--|
| SYMBOLS | THIS DRAWING CONTAINS INFORMATION THAT IS PROPRIETARY TO MOLEX ELECTRONIC TECHNOLOGIES, LLC AND SHOULD NOT BE USED WITHOUT WRITTEN PERMISSION |       | CURRENT REV DESC: 878980757/SHT 2 CORR |  |
|         | DIMENSION UNITS   | SCALE |  |  |
| ▽ = 0   | mm  |       |  | <p><b>molex</b></p> <p>CUSTOM HEADER<br/>2.54MM PITCH SINGLE ROW SINGLE WAFER SMT<br/>HEADER</p> |
| ▽ = 0   | GENERAL TOLERANCES (UNLESS SPECIFIED)   |       |  |  |
| ▽ = 0   |   | MM    | INCH                                   |  |
| ▽ = 0   | 4 PLACES ±  |       |  | EC NO: 617791  |
| ▽ = 0   | 3 PLACES ±  |       |  | DRWN: NMANE02 2019/06/03   |
| ▽ = 0   | 2 PLACES ±  | 0.2   |  | CHK'D: GJEEVANSURES 2019/06/03   |
| ▽ = 0   | 1 PLACE ±   |       |  | APPR: MRAMAKRISHNA 2019/06/07  |
| ▽ = 0   | 0 PLACES ±  |       |  | INITIAL REVISION:  |
| ▽ = 0   | ANGULAR TOL ±   | 3.0°  |  | DRWN: DRWN BY XXXX/XX/XX   |
| ▽ = 0   | DRAFT WHERE APPLICABLE MUST REMAIN WITHIN DIMENSIONS  |       | THIRD ANGLE PROJECTION                 | APPR: APPR BY XXXX/XX/XX   |
| ▽ = 0   |   |       | DRAWING                                | SERIES   |
|         |   |       | A3-SIZE                                | 87898  |
|         |   |       | MATERIAL NUMBER                        | CUSTOMER   |
|         |   |       | SD-87898-001                           | GENERAL MARKET   |
|         |   |       | DOCUMENT NUMBER                        | DOC TYPE   |
|         |   |       | 000                                    | PSD  |
|         |   |       | DOC PART                               | REVISION   |
|         |   |       | B22                                    |  |
|         |   |       | SHEET NUMBER                           |  |
|         |   |       | 18 OF 21                               |  |



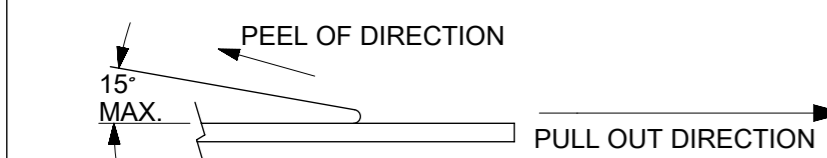
| CKT | DIMENSION |       |       |      |       |       |       | TYPE | QTY/ REEL |
|-----|-----------|-------|-------|------|-------|-------|-------|------|-----------|
|     | M         | Bo    | So    | Ao   | Ko    | F     | W     |      |           |
| 6   | 11.50     | 15.65 | 28.40 | 5.20 | 16.90 | 14.20 | 32.00 | A    | 150       |
| 6   |           | 15.65 | 28.40 | 5.20 | 11.30 | 14.20 | 32.00 | B    | 440       |
| 8   |           | 20.70 | 40.40 | 5.20 | 11.30 | 20.20 | 44.00 |      |           |
| 10  |           | 25.80 | 40.40 | 5.20 | 11.30 | 20.20 | 44.00 |      |           |
| 12  |           | 30.90 | 52.40 | 5.20 | 11.30 | 26.20 | 56.00 |      |           |
| 14  |           | 35.95 | 52.40 | 5.20 | 11.30 | 26.20 | 56.00 |      |           |
| 16  |           | 41.05 | 52.40 | 5.20 | 11.30 | 26.20 | 56.00 |      |           |
| 18  |           | 46.20 | 68.40 | 5.20 | 11.30 | 34.20 | 72.00 |      |           |
| 20  |           | 51.20 | 68.40 | 5.20 | 11.30 | 34.20 | 72.00 |      |           |



FOR ILLUSTRATION ONLY



2. PEELING OFF FORCE OF THE TOP TAPE: 20 - 80gf. (PEELING DIRECTION AS SHOWN IN FOLLOWING FIGURE)



3. MATERIAL: BLACK P.S CONDUCTIVE, BLACK

4. MEASURED FROM CENTRELINE OF SPROCKET HOLE TO CENTRELINE OF SPOCKET

5. CUMULATIVE TOLERANCE OF 10 SPROCKET HOLE IS ±0.20mm

6. A0 AND B0 ARE MEASURE FROM ABOVE POCKET BASE 0.30mm

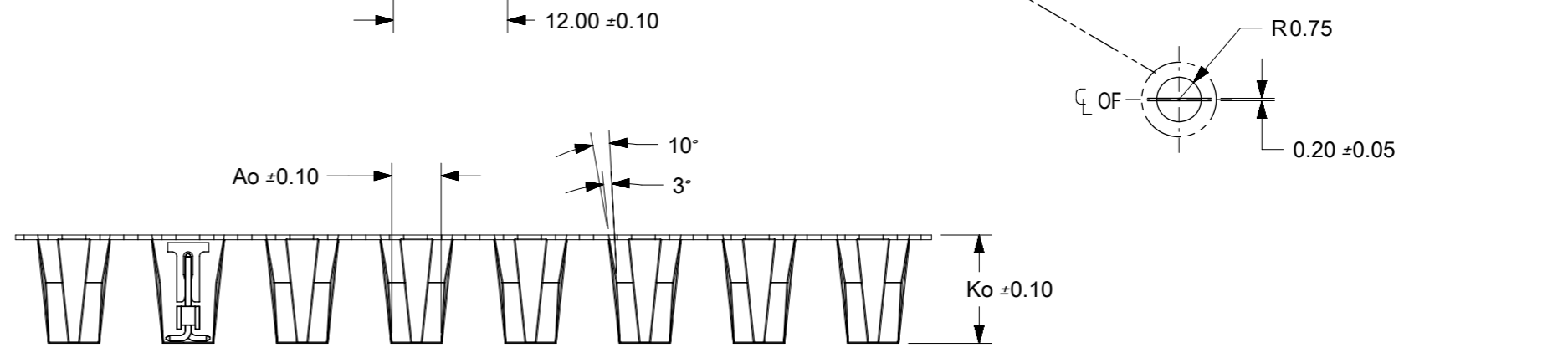
7. TAPE AND REEL SPECIFICATION IS AS PER EIA-481.

8. TAPE AND REEL QUANTITY : SEE TABLE

9. THE TAPE IS TREATED FOR ANTI-STATIC.

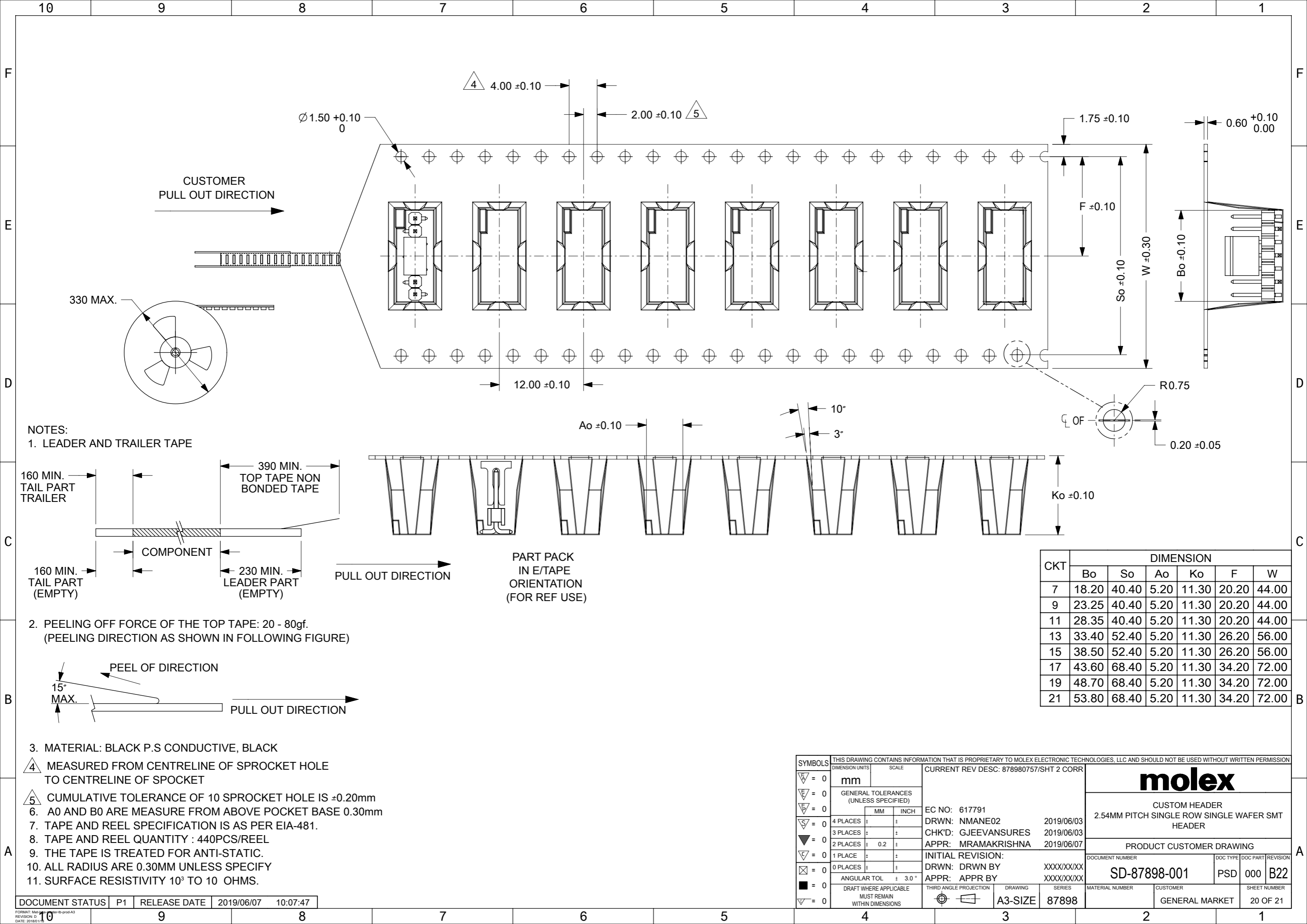
10. ALL RADIUS ARE 0.30MM UNLESS SPECIFY

11. SURFACE RESISTIVITY 10<sup>3</sup> TO 10 OHMS.



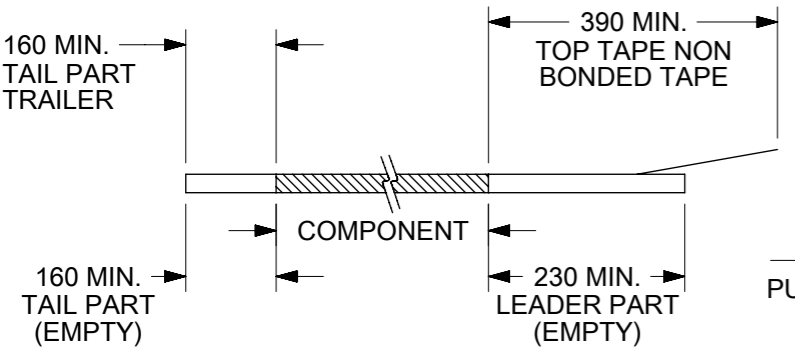
|                 |  |   |  |
|-----------------|--|---|--|
| SYMBOLS         |  | THIS DRAWING CONTAINS INFORMATION THAT IS PROPRIETARY TO MOLEX ELECTRONIC TECHNOLOGIES, LLC AND SHOULD NOT BE USED WITHOUT WRITTEN PERMISSION |  |
| ▽ = 0           | mm   | SCALE   | CURRENT REV DESC: 878980757/SHT 2 CORR   |
| ▽ = 0           | GENERAL TOLERANCES (UNLESS SPECIFIED)                |   | <b>molex</b><br>CUSTOM HEADER<br>2.54MM PITCH SINGLE ROW SINGLE WAFER SMT HEADER |
| ▽ = 0           | MM   | INCH  |  |
| ▽ = 0           | 4 PLACES ±   | ±   | EC NO: 617791  |
| ▽ = 0           | 3 PLACES ±   | ±   | DRWN: NMANE02 2019/06/03   |
| ▽ = 0           | 2 PLACES ±   | 0.2 ±   | CHK'D: GJEEVANSURES 2019/06/03   |
| ▽ = 0           | 1 PLACE ±  | ±   | APPR: MRAMAKRISHNA 2019/06/07  |
| ▽ = 0           | 0 PLACES ±   | ±   | INITIAL REVISION:  |
| ▽ = 0           | ANGULAR TOL ±  | 3.0°  | DRWN: DRWN BY XXXX/XX/XX   |
| ▽ = 0           | DRAFT WHERE APPLICABLE MUST REMAIN WITHIN DIMENSIONS |   | APPR: APPR BY XXXX/XX/XX   |
| ▽ = 0           | THIRD ANGLE PROJECTION                               | DRAWING   | SERIES   |
| ▽ = 0           |  | A3-SIZE   | 87898  |
| DOCUMENT NUMBER |  | DOC TYPE  | DOC PART   |
| SD-87898-001    |  | PSD   | 000  |
| CUSTOMER        |  | REVISION  |  |
| GENERAL MARKET  |  | B22   |  |
| SHEET NUMBER    |  | 19 OF 21  |  |

|                 |    |              |            |          |
|-----------------|----|--------------|------------|----------|
| DOCUMENT STATUS | P1 | RELEASE DATE | 2019/06/07 | 10:07:47 |
|-----------------|----|--------------|------------|----------|

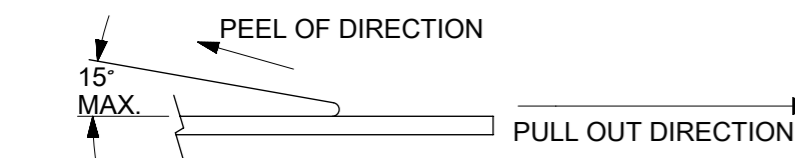


CUSTOMER PULL OUT DIRECTION

NOTES:  
1. LEADER AND TRAILER TAPE



2. PEELING OFF FORCE OF THE TOP TAPE: 20 - 80gf.  
(PEELING DIRECTION AS SHOWN IN FOLLOWING FIGURE)



3. MATERIAL: BLACK P.S CONDUCTIVE, BLACK

- 4. MEASURED FROM CENTRELINE OF SPROCKET HOLE TO CENTRELINE OF SPOCKET
- 5. CUMULATIVE TOLERANCE OF 10 SPROCKET HOLE IS  $\pm 0.20\text{mm}$
- 6. A0 AND B0 ARE MEASURE FROM ABOVE POCKET BASE 0.30mm
- 7. TAPE AND REEL SPECIFICATION IS AS PER EIA-481.
- 8. TAPE AND REEL QUANTITY : 440PCS/REEL
- 9. THE TAPE IS TREATED FOR ANTI-STATIC.
- 10. ALL RADIUS ARE 0.30MM UNLESS SPECIFY
- 11. SURFACE RESISTIVITY  $10^3$  TO  $10$  OHMS.

| CKT | DIMENSION |       |      |       |       |       |
|-----|-----------|-------|------|-------|-------|-------|
|     | Bo        | So    | Ao   | Ko    | F     | W     |
| 7   | 18.20     | 40.40 | 5.20 | 11.30 | 20.20 | 44.00 |
| 9   | 23.25     | 40.40 | 5.20 | 11.30 | 20.20 | 44.00 |
| 11  | 28.35     | 40.40 | 5.20 | 11.30 | 20.20 | 44.00 |
| 13  | 33.40     | 52.40 | 5.20 | 11.30 | 26.20 | 56.00 |
| 15  | 38.50     | 52.40 | 5.20 | 11.30 | 26.20 | 56.00 |
| 17  | 43.60     | 68.40 | 5.20 | 11.30 | 34.20 | 72.00 |
| 19  | 48.70     | 68.40 | 5.20 | 11.30 | 34.20 | 72.00 |
| 21  | 53.80     | 68.40 | 5.20 | 11.30 | 34.20 | 72.00 |

THIS DRAWING CONTAINS INFORMATION THAT IS PROPRIETARY TO MOLEX ELECTRONIC TECHNOLOGIES, LLC AND SHOULD NOT BE USED WITHOUT WRITTEN PERMISSION

SYMBOLS:  $\nabla = 0$ ,  $\nabla = 0$ ,  $\nabla = 0$ ,  $\nabla = 0$ ,  $\nabla = 0$ ,  $\nabla = 0$ ,  $\nabla = 0$ ,  $\nabla = 0$ ,  $\nabla = 0$

DIMENSION UNITS: mm

SCALE: (blank)

GENERAL TOLERANCES (UNLESS SPECIFIED):

|          |       |     |
|----------|-------|-----|
| 4 PLACES | $\pm$ |     |
| 3 PLACES | $\pm$ |     |
| 2 PLACES | $\pm$ | 0.2 |
| 1 PLACE  | $\pm$ |     |
| 0 PLACES | $\pm$ |     |

ANGULAR TOL:  $\pm 3.0^\circ$

DRAFT WHERE APPLICABLE MUST REMAIN WITHIN DIMENSIONS

THIRD ANGLE PROJECTION

DRAWING: A3-SIZE

SERIES: 87898

CURRENT REV DESC: 878980757/SHT 2 CORR

EC NO: 617791

DRWN: NMANE02 2019/06/03

CHK'D: GJEEVANSURES 2019/06/03

APPR: MRAMAKRISHNA 2019/06/07

INITIAL REVISION:

DRWN: DRWN BY XXXX/XX/XX

APPR: APPR BY XXXX/XX/XX

DOCUMENT NUMBER: SD-87898-001

DOC TYPE: PSD

DOC PART: 000

REVISION: B22

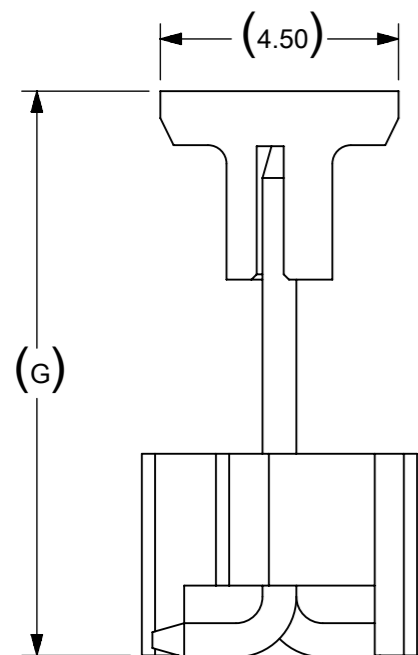
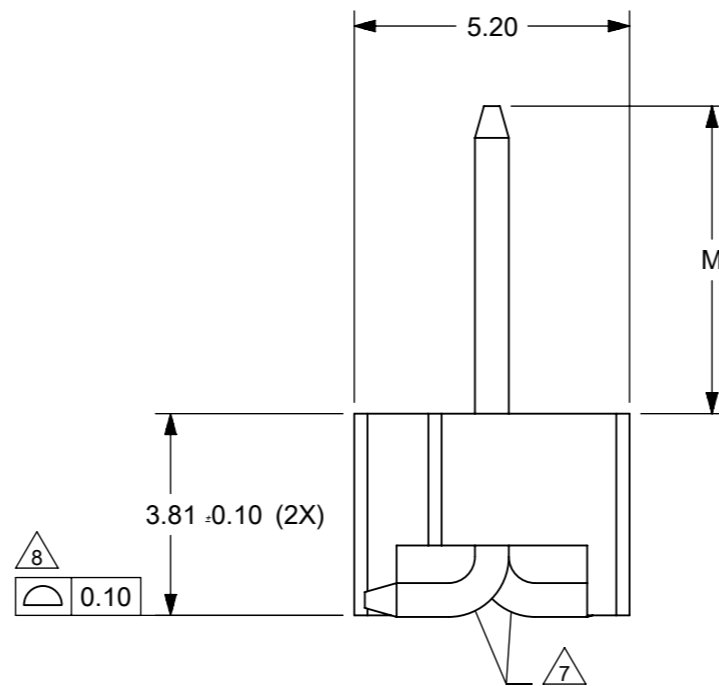
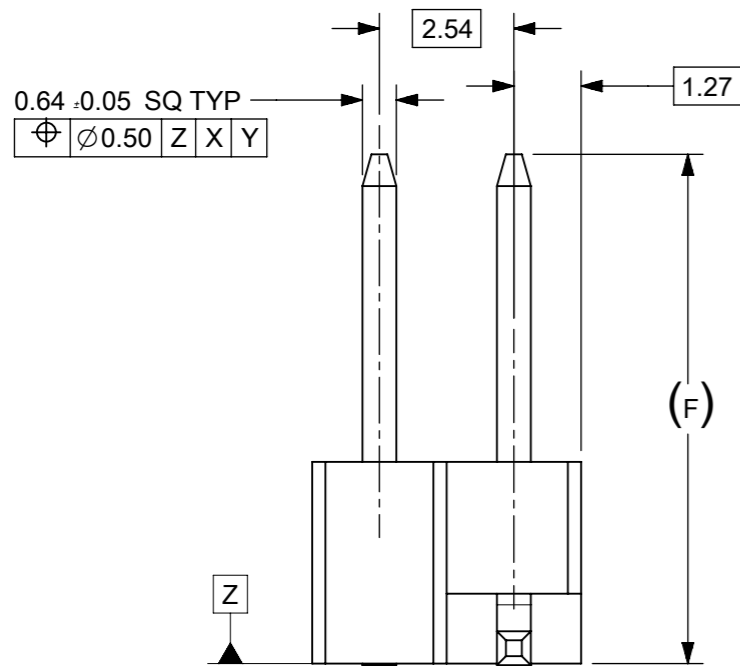
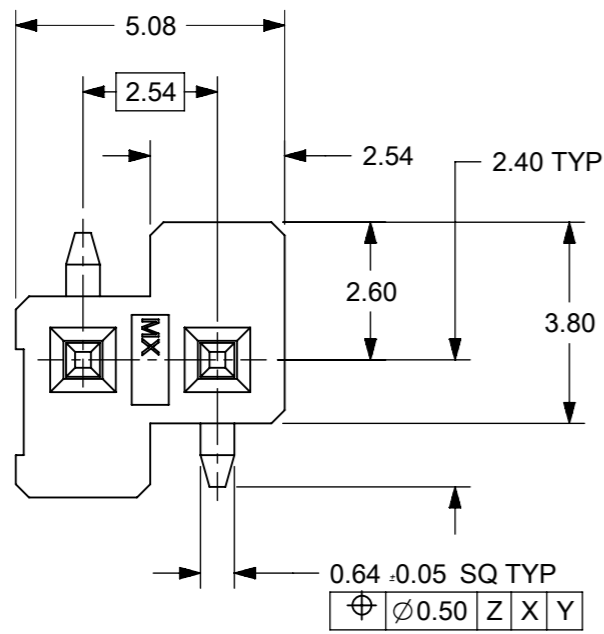
PRODUCT CUSTOMER DRAWING

MATERIAL NUMBER: (blank)

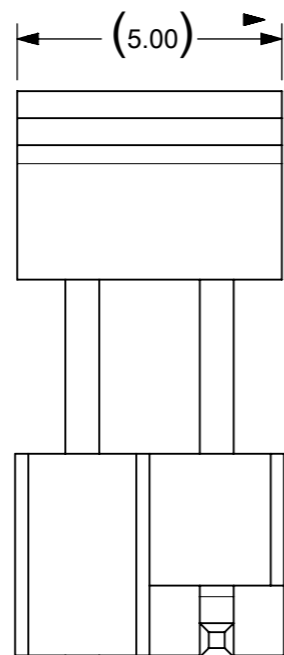
CUSTOMER: GENERAL MARKET

SHEET NUMBER: 20 OF 21

|                 |    |              |            |          |
|-----------------|----|--------------|------------|----------|
| DOCUMENT STATUS | P1 | RELEASE DATE | 2019/06/07 | 10:07:47 |
|-----------------|----|--------------|------------|----------|



CONN WITH CAP



CONN WITH CAP

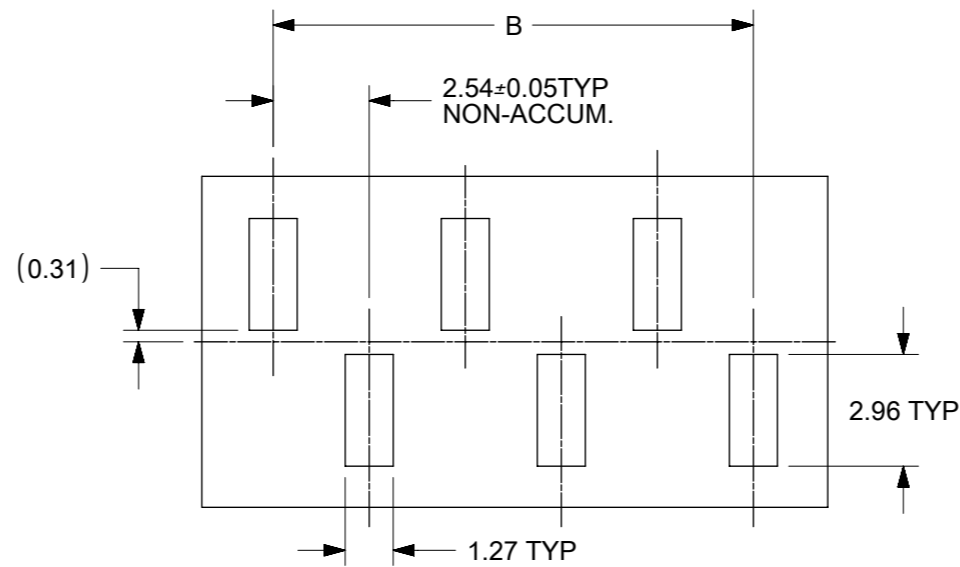
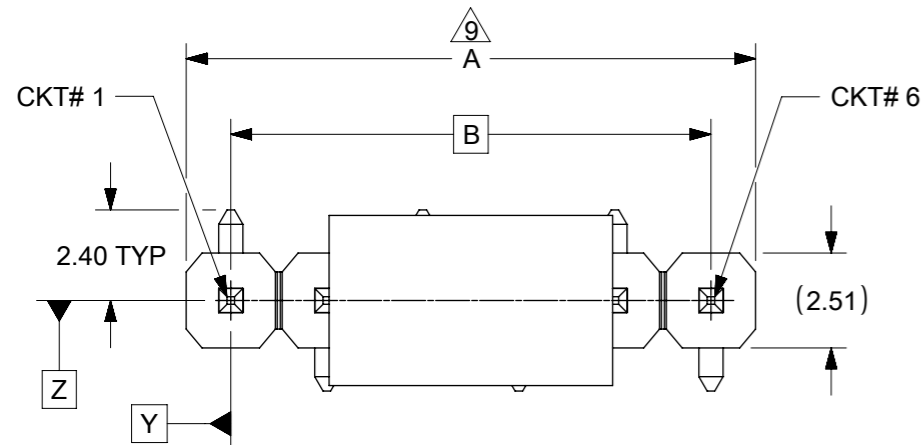
| PACKAGING OPTION PART NO. |               |                  |               |                         |                      | CKT SIZE | PLATING TYPE | DIMENSION |       |       |
|---------------------------|---------------|------------------|---------------|-------------------------|----------------------|----------|--------------|-----------|-------|-------|
| TRAY WITHOUT CAP          | TRAY WITH CAP | TUBE WITHOUT CAP | TUBE WITH CAP | TAPE & REEL WITHOUT CAP | TAPE & REEL WITH CAP |          |              | G         | F     | M     |
| -----                     | -----         | -----            | -----         | -----                   | 87898-0218           | 2        | 4            | 10.69     | 9.65  | 5.84  |
| -----                     | -----         | -----            | -----         | -----                   | 87898-0219           | 2        | 6            | 10.69     | 9.65  | 5.84  |
| -----                     | -----         | -----            | 87898-0220    | -----                   | -----                | 2        | 6            | 10.64     | 9.60  | 5.84  |
| -----                     | -----         | -----            | -----         | -----                   | 87898-0221           | 2        | 6            | 24.53     | 23.49 | 19.73 |

ONLY APPLICABLE TO 2CKT SIZE

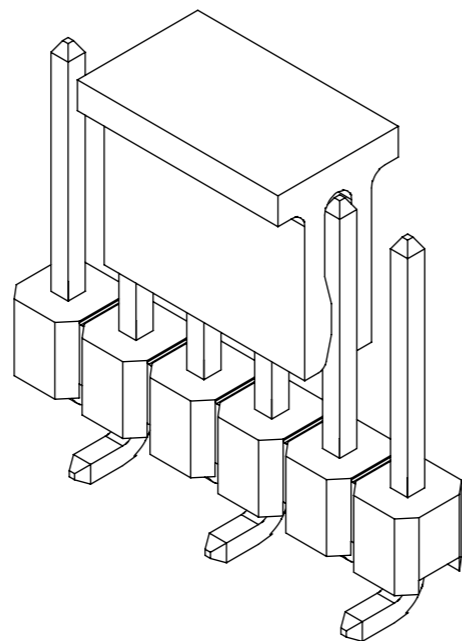
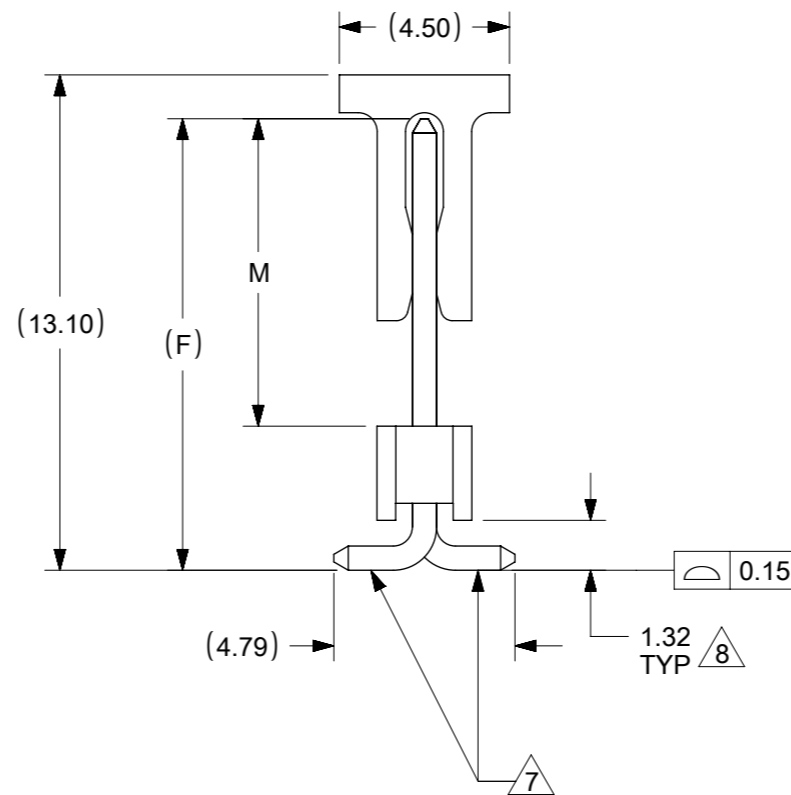
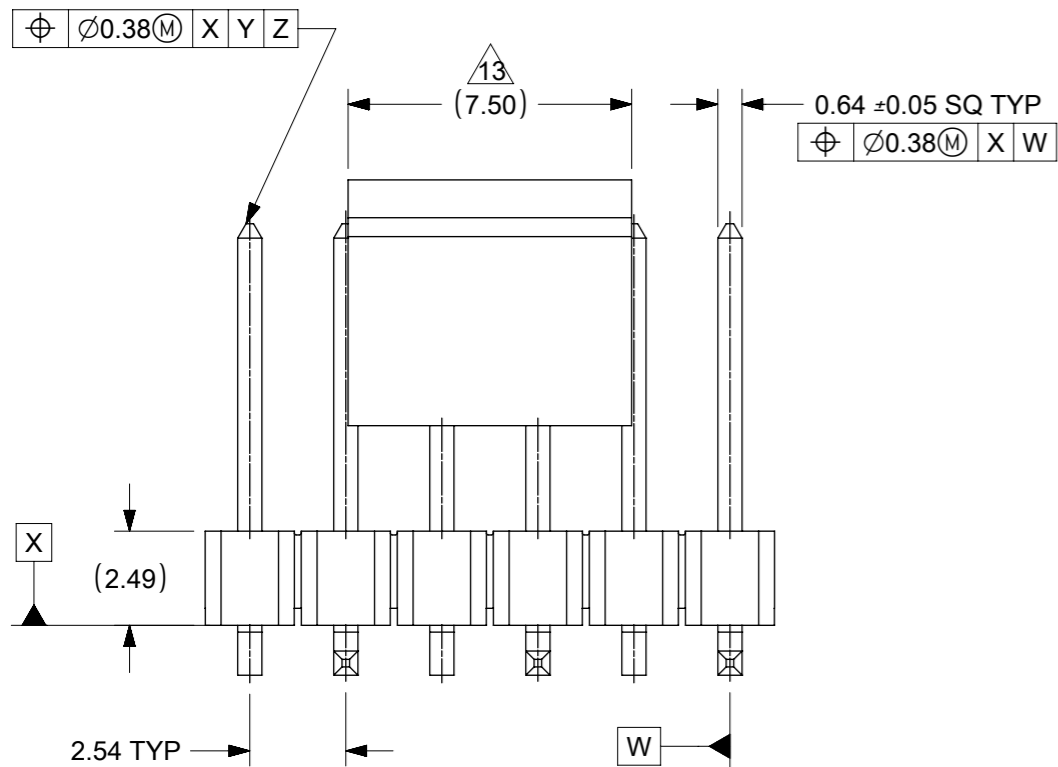
NOTES:

- MATERIAL:  
HSG: LCP, GLASS-FILLED, UL94V-0, COLOR: BLACK  
CAP: NYLON, GLASS-FILLED, UL94V-0, COLOR: BLACK  
PIN: 0.64MM SQ, COPPER ALLOY
- PLATING TYPE:  
(1) GOLD FLASH OVER  
1.25µm MIN. NICKEL OVERALL.  
(2) GOLD FLASH ON CONTACT AND  
2.50µm MIN. TIN ON SOLDER TAIL OVER  
1.25µm MIN. NICKEL OVERALL.  
(4) 0.38µm MIN. GOLD PLATE ON CONTACT AND  
2.00µm MIN. TIN ON SOLDER TAIL OVER  
1.25µm MIN. NICKEL OVERALL.  
(5) 0.75µm MIN. GOLD PLATE ON CONTACT AND  
2.00µm MIN. TIN ON SOLDER TAIL OVER  
1.25µm MIN. NICKEL OVERALL.  
(6) 2.50µm MIN. TIN OVERALL  
1.25µm MIN. NICKEL OVERALL
- PRODUCT SPECIFICATION: PS-87920-019
- PACKAGING TYPE: SEE TABLE
- PACKAGING SPEC:  
TUBE WITH CAP VERSION: PK-89990-558  
TUBE W/O CAP VERSION: PK-89990-545  
EMBOSS TAPE WITH CAP: PK-87898-400
- WAFER TO BE FLAT WITHIN 0.003 mm/mm
- BEND DEPRESSION IS ACCEPTED SO LONG AS IT DOES NOT AFFECT THE OVERALL COPLANARITY OF TAIL
- COPLANARITY IS TO BE MEASURED BY RESTING THE SOLDER TAIL ON A FLAT SURFACE
- CAP LOCATION IS CENTERED ALONG THE MATING ENDS AS SHOWN. TOP SURFACE OF CAP TO BE FLAT FOR THE PURPOSE OF PICK & PLACE BY VACUUM SUCTION NOZZLE
- RECOMMENDED PCB THICKNESS IS 1.60mm±0.10

|         |   |       |  |                               |   |
|---------|---|-------|--|-------------------------------|---|
| SYMBOLS | THIS DRAWING CONTAINS INFORMATION THAT IS PROPRIETARY TO MOLEX ELECTRONIC TECHNOLOGIES, LLC AND SHOULD NOT BE USED WITHOUT WRITTEN PERMISSION |       | CURRENT REV DESC: 878980757/SHT 2 CORR |                               |   |
|         | DIMENSION UNITS   | SCALE | EC NO: 617791                          |                               |   |
| ▽ = 0   | mm  |       | DRWN: NMANE02 2019/06/03               |                               | 2.54MM PITCH SINGLE ROW SINGLE WAFER SMT HEADER |
| ▽ = 0   | GENERAL TOLERANCES (UNLESS SPECIFIED)   |       | CHK'D: GJEEVANSURES 2019/06/03         |                               | PRODUCT CUSTOMER DRAWING                        |
| ▽ = 0   |   | MM    | INCH                                   | APPR: MRAMAKRISHNA 2019/06/07 |   |
| ▽ = 0   | 4 PLACES ±  |       |  | INITIAL REVISION:             | DOCUMENT NUMBER                                 |
| ▽ = 0   | 3 PLACES ±  |       |  | DRWN: GGUNAGI 2016/11/09      | SD-87898-001                                    |
| ▽ = 0   | 2 PLACES ±  | 0.2   |  | APPR: ISHWARG 2016/12/06      | DOC TYPE  |
| ▽ = 0   | 1 PLACE ±   |       |  |                               | PSD   |
| ▽ = 0   | 0 PLACES ±  |       |  |                               | DOC PART  |
| ▽ = 0   | ANGULAR TOL ±   | 3.0°  |  |                               | 000   |
| ▽ = 0   | DRAFT WHERE APPLICABLE MUST REMAIN WITHIN DIMENSIONS  |       | THIRD ANGLE PROJECTION                 | DRAWING                       | REVISION  |
| ▽ = 0   |   |       |  | SERIES                        | B22   |
|         |   |       |  | MATERIAL NUMBER               | SEE TABLE                                       |
|         |   |       |  | CUSTOMER                      | GENERAL MARKET                                  |
|         |   |       |  | SHEET NUMBER                  | 21 OF 21  |



**RECOMMENDED PCB LAYOUT**



**NOTES:**

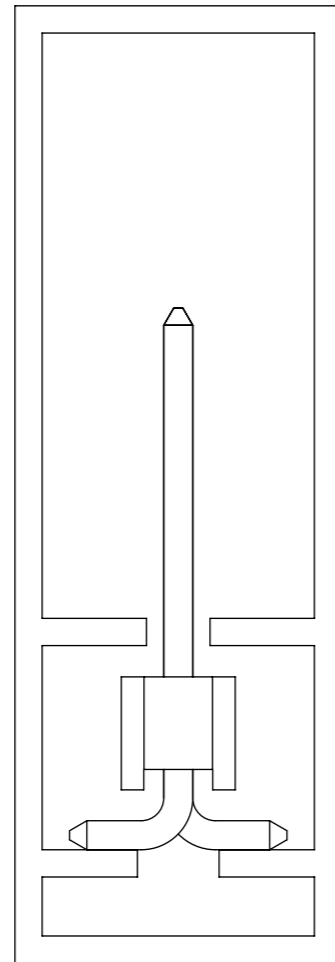
1. MATERIAL:  
HSG: NYLON, GLASS-FILLED, UL94V-0, COLOR: BLACK  
PIN: 0.64MM SQ, COPPER ALLOY
2. PLATING TYPE:
  - (1) GOLD FLASH OVER  
1.25µm MIN. NICKEL OVERALL.
  - (2) GOLD FLASH ON CONTACT AND  
2.50µm MIN. TIN ON SOLDER TAIL OVER  
1.25µm MIN. NICKEL OVERALL.
  - (4) 0.38µm MIN. GOLD PLATE ON CONTACT AND  
2.00µm MIN. TIN ON SOLDER TAIL OVER  
1.25µm MIN. NICKEL OVERALL.
  - (5) 0.75µm MIN. GOLD PLATE ON CONTACT AND  
2.00µm MIN. TIN ON SOLDER TAIL OVER  
1.25µm MIN. NICKEL OVERALL.
  - (6) 2.50µm MIN. TIN OVERALL  
1.25µm MIN. NICKEL OVERALL
3. PRODUCT SPECIFICATION: PS-87920-019
4. PACKAGING TYPE: SEE TABLE
5. PACKAGING SPEC: PK-89990-545(TUBE), PK-89990-486(T&R) & PK-87898-400 (T&R)
6. WAFER TO BE FLAT WITHIN 0.003 mm/mm
7. BEND DEPRESSION IS ACCEPTED SO LONG AS IT DOES NOT AFFECT THE OVERALL COPLANARITY OF TAIL
8. COPLANARITY IS TO BE MEASURED BY RESTING THE SOLDER TAIL ON A FLAT SURFACE
9. IRREGULAR CIRCUIT CUTOFF WITHIN BREAKAWAY SECTION IS PERMISSIBLE. CUTTING OR CHIPPING OF THE MAIN BODY IS NOT ACCEPTABLE
10. TUBE LENGTH AS PER STANDARD 560mm
11. RECOMMENDED PCB THICKNESS IS 1.60mm±0.10
12. THE ABOVE CKT 6 IS FOR ILLUSTRATION PURPOSE ONLY
13. CAP LOCATION IS CENTERED ALONG THE MATING ENDS AS SHOWN. TOP SURFACE OF CAP TO BE FLAT FOR THE PURPOSE OF PICK & PLACE BY VACUUM SUCTION NOZZLE.

|   |  |   |  |                               |  |
|---|--|---|--|-------------------------------|--|
| THIS DRAWING CONTAINS INFORMATION THAT IS PROPRIETARY TO MOLEX ELECTRONIC TECHNOLOGIES, LLC AND SHOULD NOT BE USED WITHOUT WRITTEN PERMISSION |  | CURRENT REV DESC: SH_04 & 05 UPDATED  |  |                               |  |
| DIMENSION UNITS: mm<br>SCALE: NTS   |  | EC NO: 177265<br>DRWN: RLALSANGI 2018/05/16<br>CHK'D: MBELLE 2018/05/25<br>APPR: ISHWARG 2018/06/13 |  |                               |  |
| GENERAL TOLERANCES (UNLESS SPECIFIED)   |  | INITIAL REVISION:   |  | PRODUCT CUSTOMER DRAWING      |  |
| 4 PLACES ± 0.2 ±<br>3 PLACES ± 0.2 ±<br>2 PLACES ± 0.2 ±<br>1 PLACE ± 0.2 ±<br>0 PLACES ± 0.2 ±<br>ANGULAR TOL ± 3.0°                         |  | DRWN: SKLIM01 2005/10/26<br>APPR: PTLIM 2005/11/07  |  | DOCUMENT NUMBER: SD-87898-003 |  |
| DRAFT WHERE APPLICABLE MUST REMAIN WITHIN DIMENSIONS  |  | THIRD ANGLE PROJECTION  |  | DOC TYPE: PSD                 |  |
|   |  | DRAWING: A3-SIZE  |  | DOC PART: 001                 |  |
|   |  | SERIES: 87898   |  | REVISION: C                   |  |
|   |  | MATERIAL NUMBER: SEE TABLE  |  | SHEET NUMBER: 1 OF 17         |  |
|   |  | CUSTOMER: GENERAL MARKET  |  |                               |  |

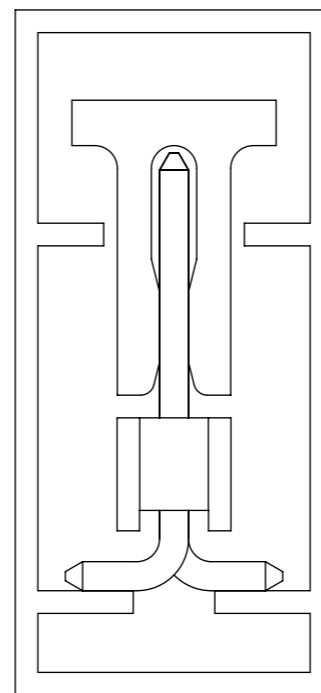
9 8 7 6 5 4 3 2 1

E  
D  
C  
B  
A

### PART WITHOUT CAP IN TUBE ORIENTATION



### PART WITH CAP IN TUBE ORIENTATION

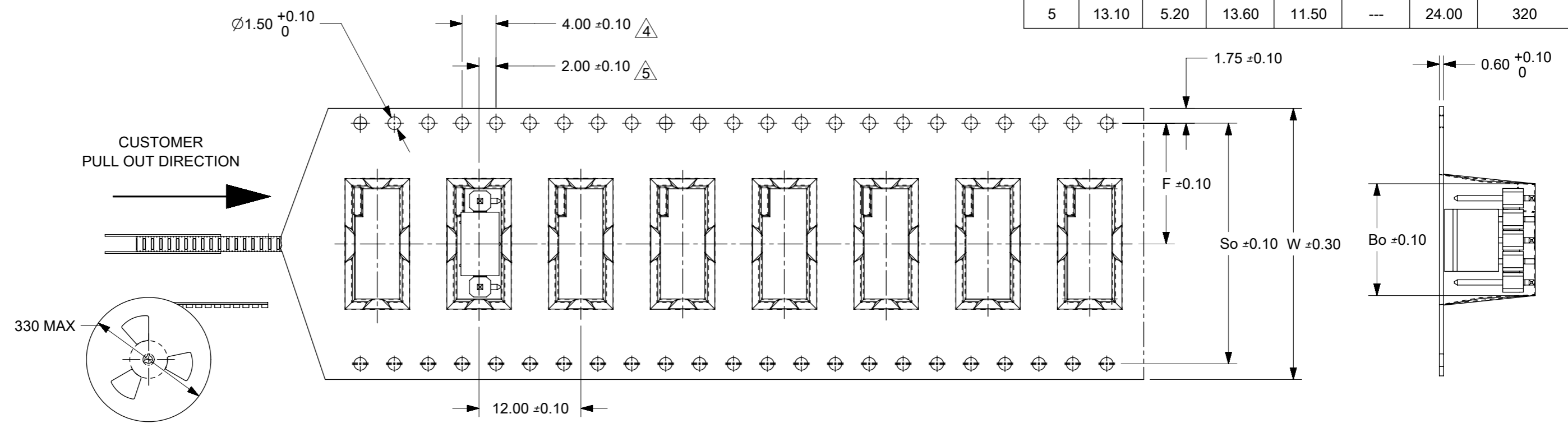


|   |   |                        |      |                                      |  |                |  |                 |  |   |
|---|---|------------------------|------|--------------------------------------|--|----------------|--|-----------------|--|---|
| THIS DRAWING CONTAINS INFORMATION THAT IS PROPRIETARY TO MOLEX ELECTRONIC TECHNOLOGIES, LLC AND SHOULD NOT BE USED WITHOUT WRITTEN PERMISSION |   |                        |      |                                      |  |                |  |                 |  |   |
| DIMENSION UNITS   |   | SCALE                  |      | CURRENT REV DESC: SH_04 & 05 UPDATED |  |                |  | <b>molex</b>    |  | CUSTOM HEADER<br>2.54MM PITCH SINGLE ROW SINGLE WAFER SMT<br>HEADER |
| mm  |   | NTS                    |      |                                      |  |                |  |                 |  |   |
| GENERAL TOLERANCES (UNLESS SPECIFIED)   |   |                        |      |                                      |  |                |  |                 |  |   |
|   |   | MM                     | INCH | EC NO: 177265                        |  | 2018/05/16     |  |                 |  |   |
| 4 PLACES  | ± |                        |      | DRWN: RLALSANGI                      |  | 2018/05/25     |  |                 |  |   |
| 3 PLACES  | ± |                        |      | CHK'D: MBELLE                        |  | 2018/05/25     |  |                 |  |   |
| 2 PLACES  | ± | 0.2                    |      | APPR: ISHWARG                        |  | 2018/06/13     |  |                 |  |   |
| 1 PLACE   | ± |                        |      | INITIAL REVISION:                    |  |                |  |                 |  |   |
| 0 PLACES  | ± |                        |      | DRWN: SKLIM01                        |  | 2005/10/26     |  | DOCUMENT NUMBER |  |   |
| ANGULAR TOL   |   | ± 3.0°                 |      | APPR: PTLIM                          |  | 2005/11/07     |  | SD-87898-003    |  |   |
| DRAFT WHERE APPLICABLE<br>MUST REMAIN<br>WITHIN DIMENSIONS  |   | THIRD ANGLE PROJECTION |      | DRAWING                              |  | SERIES         |  | MATERIAL NUMBER |  |   |
|   |   |                        |      | A3-SIZE                              |  | 87898          |  | SEE TABLE       |  |   |
|   |   |                        |      | CUSTOMER                             |  | GENERAL MARKET |  | SHEET NUMBER    |  |   |
|   |   |                        |      |                                      |  |                |  | 2 OF 17         |  |   |

|                 |    |              |            |          |
|-----------------|----|--------------|------------|----------|
| DOCUMENT STATUS | P1 | RELEASE DATE | 2018/06/13 | 11:06:55 |
|-----------------|----|--------------|------------|----------|

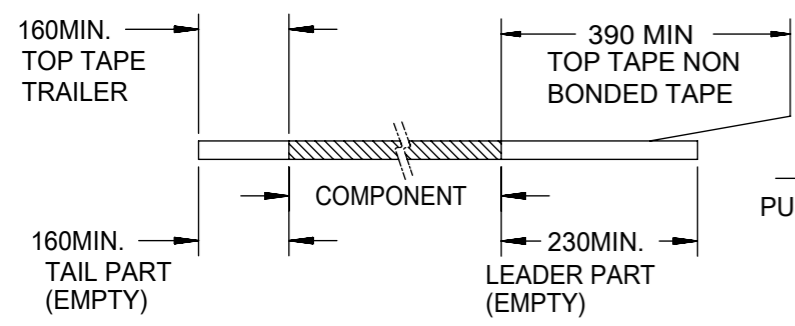
9 8 7 6 5 4 3 2 1

| CKT | DIMENSION |      |       |       |       |       | QTY/REEL |
|-----|-----------|------|-------|-------|-------|-------|----------|
|     | Bo        | Ao   | Ko    | F     | So    | W     |          |
| 3   | 8.02      | 5.20 | 13.60 | 11.50 | --    | 24.00 | 320      |
| 4   | 10.51     | 5.79 | 15.05 | 14.20 | 28.40 | 32.00 | 250      |
| 5   | 13.10     | 5.20 | 13.60 | 11.50 | ---   | 24.00 | 320      |

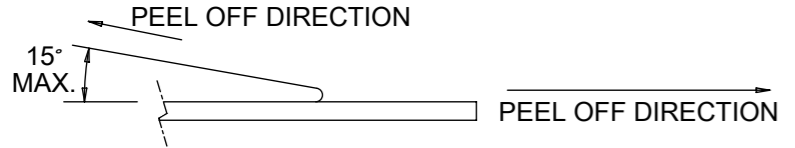


NOTES:

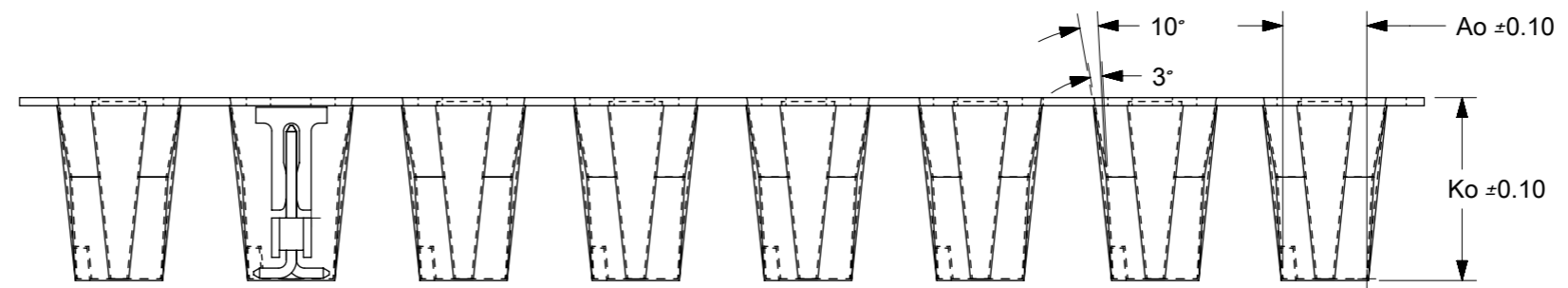
1. LEADER AND TRAILER TAPE



2. PEELING OFF FORCE OF THE TOP TAPE: 20 - 80gf. (PEELING DIRECTION AS SHOWN IN FOLLOWING FIGURE)



- 3. MATERIAL: BLACK P.S CONDUCTIVE, BLACK
- 4. MEASURED FROM CENTRELINE OF SPROCKET HOLE TO CENTRELINE OF POCKET
- 5. CUMULATIVE TOLERANCE OF 10 SPROCKET HOLE IS ±0.20mm
- 6. A0 AND B0 ARE MEASURE FROM ABOVE POCKET BASE 0.30mm
- 7. TAPE AND REEL SPECIFICATION IS AS PER EIA-481.
- 8. THE TAPE IS TREATED FOR ANTI-STATIC.
- 9. ALL RADIUS ARE 0.30MM UNLESS SPECIFY
- 10. SURFACE RESISTIVITY 10<sup>3</sup> TO 10 OHMS.



THIS DRAWING CONTAINS INFORMATION THAT IS PROPRIETARY TO MOLEX ELECTRONIC TECHNOLOGIES, LLC AND SHOULD NOT BE USED WITHOUT WRITTEN PERMISSION

|   |       |                                      |  |   |  |                 |
|---|-------|--------------------------------------|--|---|--|-----------------|
| DIMENSION UNITS   | SCALE | CURRENT REV DESC: SH_04 & 05 UPDATED |  |   |  |                 |
| mm  | NTS   |                                      |  |   |  |                 |
| GENERAL TOLERANCES (UNLESS SPECIFIED)   |       |                                      |  | CUSTOMER  |  |                 |
|   |       |                                      |  | 2.54MM PITCH SINGLE ROW SINGLE WAFER SMT HEADER   |  |                 |
|   |       |                                      |  | PRODUCT CUSTOMER DRAWING  |  |                 |
| 4 PLACES ±     ±<br>3 PLACES ±     ±<br>2 PLACES ± 0.2 ±<br>1 PLACE ±     ±<br>0 PLACES ±     ±<br>ANGULAR TOL ± 3.0° |       |                                      |  | EC NO: 177265<br>DRWN: RLALSANGI 2018/05/16<br>CHK'D: MBELLE 2018/05/25<br>APPR: ISHWARG 2018/06/13 |  | DOCUMENT NUMBER |
| DRAFT WHERE APPLICABLE MUST REMAIN WITHIN DIMENSIONS  |       |                                      |  | INITIAL REVISION:<br>DRWN: SKLIM01 2005/10/26<br>APPR: PTLIM 2005/11/07                             |  | DOC TYPE        |
| THIRD ANGLE PROJECTION  |       |                                      |  | SERIES<br>87898   |  | DOC PART        |
| DRAWING<br>A3-SIZE  |       |                                      |  | MATERIAL NUMBER<br>SEE TABLE  |  | REVISION        |
| CUSTOMER<br>GENERAL MARKET  |       |                                      |  | SHEET NUMBER<br>3 OF 17   |  |                 |



9 8 7 6 5 4 3 2 1

| PACKAGING OPTION PART NO. |                |                  |               |                         |                      | CKT SIZE | VOID POSITION | PLATING TYPE | DIMENSION |      |       |      |
|---------------------------|----------------|------------------|---------------|-------------------------|----------------------|----------|---------------|--------------|-----------|------|-------|------|
| TRAY WITHOUT CAP          | TRAY WITH CAP  | TUBE WITHOUT CAP | TUBE WITH CAP | TAPE & REEL WITHOUT CAP | TAPE & REEL WITH CAP |          |               |              | A         | B    | F     | M    |
| -----                     | (C) 87898-0361 | -----            | -----         | -----                   | -----                | 3        | ----          | 1            | 7.62      | 5.08 | 11.94 | 8.13 |
| -----                     | (C) 87898-0362 | -----            | -----         | -----                   | -----                | 3        | ----          | 2            | 7.62      | 5.08 | 11.94 | 8.13 |
| -----                     | (C) 87898-0364 | -----            | -----         | -----                   | 87898-0369           | 3        | ----          | 4            | 7.62      | 5.08 | 11.94 | 8.13 |
| -----                     | (C) 87898-0365 | -----            | -----         | -----                   | -----                | 3        | ----          | 5            | 7.62      | 5.08 | 11.94 | 8.13 |
| -----                     | (C) 87898-0366 | -----            | 87898-0367    | -----                   | 87898-0368           | 3        | ----          | 6            | 7.62      | 5.08 | 11.94 | 8.13 |

E

E

D

D

C

C

B

B

A

A

|   |  |        |  |                                      |  |                 |  |   |  |              |  |
|---|--|--------|--|--------------------------------------|--|-----------------|--|---|--|--------------|--|
| THIS DRAWING CONTAINS INFORMATION THAT IS PROPRIETARY TO MOLEX ELECTRONIC TECHNOLOGIES, LLC AND SHOULD NOT BE USED WITHOUT WRITTEN PERMISSION |  |        |  |                                      |  |                 |  |   |  |              |  |
| DIMENSION UNITS   |  | SCALE  |  | CURRENT REV DESC: SH_04 & 05 UPDATED |  |                 |  |   |  | <b>molex</b> |  |
| mm  |  | NTS    |  |                                      |  |                 |  |   |  |              |  |
| GENERAL TOLERANCES (UNLESS SPECIFIED)   |  |        |  | EC NO: 177265                        |  | 2018/05/16      |  | CUSTOM HEADER<br>2.54MM PITCH SINGLE ROW SINGLE WAFER SMT<br>HEADER |  |              |  |
| 4 PLACES  |  | ±      |  | DRWN: RLALSANGI                      |  | 2018/05/25      |  |   |  |              |  |
| 3 PLACES  |  | ±      |  | CHK'D: MBELLE                        |  | 2018/06/13      |  | PRODUCT CUSTOMER DRAWING  |  |              |  |
| 2 PLACES  |  | ± 0.2  |  | APPR: ISHWARG                        |  |                 |  |   |  |              |  |
| 1 PLACE   |  | ±      |  | INITIAL REVISION:                    |  |                 |  | DOCUMENT NUMBER   |  | DOC TYPE     |  |
| 0 PLACES  |  | ±      |  | DRWN: SKLIM01                        |  | 2005/10/26      |  | SD-87898-003  |  | PSD          |  |
| ANGULAR TOL   |  | ± 3.0° |  | APPR: PTLIM                          |  | 2005/11/07      |  | DOC PART  |  | 001          |  |
| DRAFT WHERE APPLICABLE MUST REMAIN WITHIN DIMENSIONS  |  |        |  | THIRD ANGLE PROJECTION               |  | DRAWING         |  | SERIES  |  | SHEET NUMBER |  |
|   |  |        |  |                                      |  | A3-SIZE         |  | 87898   |  | 4 OF 17      |  |
|   |  |        |  |                                      |  | MATERIAL NUMBER |  | CUSTOMER  |  |              |  |
|   |  |        |  |                                      |  | SEE TABLE       |  | GENERAL MARKET  |  |              |  |

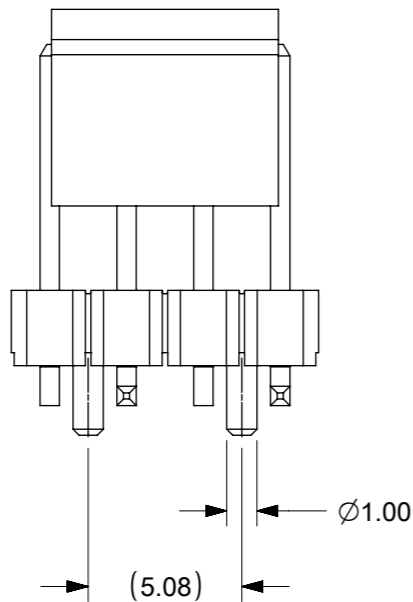
|                 |    |              |            |          |
|-----------------|----|--------------|------------|----------|
| DOCUMENT STATUS | P1 | RELEASE DATE | 2018/06/13 | 11:06:55 |
|-----------------|----|--------------|------------|----------|

9 8 7 6 5 4 3 2 1

FORMAT: Mel-lega-master-ib-prod-A3  
REVISION: D  
DATE: 2018/01/18


| PACKAGING OPTION PART NO. |               |                  |               |                         |                      | CKT SIZE | PEG | VOID POSITION | PLATING TYPE | DIMENSION |       |       |      |
|---------------------------|---------------|------------------|---------------|-------------------------|----------------------|----------|-----|---------------|--------------|-----------|-------|-------|------|
| TRAY WITHOUT CAP          | TRAY WITH CAP | TUBE WITHOUT CAP | TUBE WITH CAP | TAPE & REEL WITHOUT CAP | TAPE & REEL WITH CAP |          |     |               |              | A         | B     | F     | M    |
| -----                     | -----         | 87898-0461       | -----         | -----                   | -----                | 4        | --- | ----          | 1            | 10.16     | 7.62  | 11.94 | 8.13 |
| -----                     | -----         | 87898-0462       | -----         | -----                   | -----                | 4        | --- | ----          | 2            | 10.16     | 7.62  | 11.94 | 8.13 |
| -----                     | -----         | 87898-0464       | -----         | -----                   | -----                | 4        | --- | ----          | 4            | 10.16     | 7.62  | 11.94 | 8.13 |
| -----                     | -----         | 87898-0465       | -----         | -----                   | -----                | 4        | --- | ----          | 5            | 10.16     | 7.62  | 11.94 | 8.13 |
| -----                     | -----         | 87898-0466       | -----         | -----                   | 87898-0467           | 4        | --- | ----          | 6            | 10.16     | 7.62  | 11.94 | 8.13 |
| -----                     | -----         | -----            | -----         | -----                   | 87898-0468           | 4        | Y   | ----          | 6            | 10.16     | 7.62  | 11.94 | 8.13 |
| -----                     | -----         | 87898-0561       | -----         | -----                   | -----                | 5        | --- | ----          | 1            | 12.70     | 10.16 | 11.94 | 8.13 |
| -----                     | -----         | 87898-0562       | -----         | -----                   | -----                | 5        | --- | ----          | 2            | 12.70     | 10.16 | 11.94 | 8.13 |
| -----                     | -----         | 87898-0564       | -----         | -----                   | -----                | 5        | --- | ----          | 4            | 12.70     | 10.16 | 11.94 | 8.13 |
| -----                     | -----         | 87898-0565       | -----         | -----                   | -----                | 5        | --- | ----          | 5            | 12.70     | 10.16 | 11.94 | 8.13 |
| -----                     | -----         | 87898-0566       | 87898-0567    | -----                   | 87898-0568           | 5        | --- | ----          | 6            | 12.70     | 10.16 | 11.94 | 8.13 |
| -----                     | -----         | 87898-0661       | -----         | -----                   | -----                | 6        | --- | ----          | 1            | 15.24     | 12.70 | 11.94 | 8.13 |
| -----                     | -----         | 87898-0662       | -----         | -----                   | -----                | 6        | --- | ----          | 2            | 15.24     | 12.70 | 11.94 | 8.13 |
| -----                     | -----         | 87898-0664       | -----         | -----                   | -----                | 6        | --- | ----          | 4            | 15.24     | 12.70 | 11.94 | 8.13 |
| -----                     | -----         | 87898-0665       | -----         | -----                   | -----                | 6        | --- | ----          | 5            | 15.24     | 12.70 | 11.94 | 8.13 |
| -----                     | -----         | 87898-0666       | -----         | -----                   | (C) 87898-0605       | 6        | --- | ----          | 6            | 15.24     | 12.70 | 11.94 | 8.13 |

4 CKT WITH PEG  
FOR ILLUSTRATION ONLY




|   |  |       |  |  |  |                        |  |  |  |                            |  |
|---|--|-------|--|--|--|------------------------|--|--|--|----------------------------|--|
| THIS DRAWING CONTAINS INFORMATION THAT IS PROPRIETARY TO MOLEX ELECTRONIC TECHNOLOGIES, LLC AND SHOULD NOT BE USED WITHOUT WRITTEN PERMISSION |  |       |  |  |  |                        |  |  |  |                            |  |
| DIMENSION UNITS   |  | SCALE |  | CURRENT REV DESC: SH_04 & 05 UPDATED                 |  |                        |  |  |  |                            |  |
| mm  |  | NTS   |  |  |  |                        |  |  |  |                            |  |
| GENERAL TOLERANCES (UNLESS SPECIFIED)   |  |       |  | EC NO: 177265  |  | DRWN: RLALSANGI        |  | 2018/05/16                               |  | CUSTOM HEADER              |  |
|   |  |       |  | DRWN: MBELLE   |  | 2018/05/25             |  | 2.54MM PITCH SINGLE ROW SINGLE WAFER SMT |  | HEADER                     |  |
| 4 PLACES ±  |  |       |  | APPR: ISHWARG  |  | 2018/06/13             |  | PRODUCT CUSTOMER DRAWING                 |  |                            |  |
| 3 PLACES ±  |  |       |  | INITIAL REVISION:                                    |  | DRWN: SKLIM01          |  | 2005/10/26                               |  | DOCUMENT NUMBER            |  |
| 2 PLACES ± 0.2  |  |       |  | APPR: PTLIM  |  | 2005/11/07             |  | SD-87898-003                             |  | DOC TYPE DOC PART REVISION |  |
| 1 PLACE ±   |  |       |  | DRAFT WHERE APPLICABLE MUST REMAIN WITHIN DIMENSIONS |  | THIRD ANGLE PROJECTION |  | DRAWING                                  |  | SERIES                     |  |
| 0 PLACES ±  |  |       |  | ANGULAR TOL ± 3.0°                                   |  | A3-SIZE                |  | 87898                                    |  | MATERIAL NUMBER            |  |
|   |  |       |  |  |  | SEE TABLE              |  | CUSTOMER                                 |  | GENERAL MARKET             |  |
|   |  |       |  |  |  |                        |  |  |  | SHEET NUMBER               |  |
|   |  |       |  |  |  |                        |  |  |  | 5 OF 17                    |  |


| PACKAGING OPTION PART NO. |               |                  |               |                         |                      | CKT SIZE | VOID POSITION | PLATING TYPE | DIMENSION |       |       |      |
|---------------------------|---------------|------------------|---------------|-------------------------|----------------------|----------|---------------|--------------|-----------|-------|-------|------|
| TRAY WITHOUT CAP          | TRAY WITH CAP | TUBE WITHOUT CAP | TUBE WITH CAP | TAPE & REEL WITHOUT CAP | TAPE & REEL WITH CAP |          |               |              | A         | B     | F     | M    |
| -----                     | -----         | 87898-0761       | -----         | -----                   | -----                | 7        | ----          | 1            | 17.78     | 15.24 | 11.94 | 8.13 |
| -----                     | -----         | 87898-0762       | -----         | -----                   | -----                | 7        | ----          | 2            | 17.78     | 15.24 | 11.94 | 8.13 |
| -----                     | -----         | 87898-0764       | -----         | -----                   | -----                | 7        | ----          | 4            | 17.78     | 15.24 | 11.94 | 8.13 |
| -----                     | -----         | 87898-0765       | -----         | -----                   | -----                | 7        | ----          | 5            | 17.78     | 15.24 | 11.94 | 8.13 |
| -----                     | -----         | 87898-0766       | -----         | -----                   | -----                | 7        | ----          | 6            | 17.78     | 15.24 | 11.94 | 8.13 |
|                           |               |                  |               |                         |                      |          |               |              |           |       |       |      |
|                           |               |                  |               |                         |                      |          |               |              |           |       |       |      |
| -----                     | -----         | 87898-0861       | -----         | -----                   | -----                | 8        | ----          | 1            | 20.32     | 17.78 | 11.94 | 8.13 |
| -----                     | -----         | 87898-0862       | -----         | -----                   | -----                | 8        | ----          | 2            | 20.32     | 17.78 | 11.94 | 8.13 |
| -----                     | -----         | 87898-0864       | -----         | -----                   | -----                | 8        | ----          | 4            | 20.32     | 17.78 | 11.94 | 8.13 |
| -----                     | -----         | 87898-0865       | -----         | -----                   | -----                | 8        | ----          | 5            | 20.32     | 17.78 | 11.94 | 8.13 |
| -----                     | -----         | 87898-0866       | -----         | -----                   | -----                | 8        | ----          | 6            | 20.32     | 17.78 | 11.94 | 8.13 |
|                           |               |                  |               |                         |                      |          |               |              |           |       |       |      |
|                           |               |                  |               |                         |                      |          |               |              |           |       |       |      |
| -----                     | -----         | 87898-0961       | -----         | -----                   | -----                | 9        | ----          | 1            | 22.86     | 20.32 | 11.94 | 8.13 |
| -----                     | -----         | 87898-0962       | -----         | -----                   | -----                | 9        | ----          | 2            | 22.86     | 20.32 | 11.94 | 8.13 |
| -----                     | -----         | 87898-0964       | -----         | -----                   | -----                | 9        | ----          | 4            | 22.86     | 20.32 | 11.94 | 8.13 |
| -----                     | -----         | 87898-0965       | -----         | -----                   | -----                | 9        | ----          | 5            | 22.86     | 20.32 | 11.94 | 8.13 |
| -----                     | -----         | 87898-0966       | -----         | -----                   | -----                | 9        | ----          | 6            | 22.86     | 20.32 | 11.94 | 8.13 |

|   |  |       |  |  |  |                        |  |  |  |   |  |
|---|--|-------|--|--|--|------------------------|--|--|--|---|--|
| THIS DRAWING CONTAINS INFORMATION THAT IS PROPRIETARY TO MOLEX ELECTRONIC TECHNOLOGIES, LLC AND SHOULD NOT BE USED WITHOUT WRITTEN PERMISSION |  |       |  |  |  |                        |  |  |  |   |  |
| DIMENSION UNITS   |  | SCALE |  | CURRENT REV DESC: SH_04 & 05 UPDATED                 |  |                        |  |  |  |  |  |
| mm  |  | NTS   |  | EC NO: 177265  |  |                        |  |  |  |   |  |
| GENERAL TOLERANCES (UNLESS SPECIFIED)   |  |       |  | DRWN: RLALSANGI                                      |  | 2018/05/16             |  | CUSTOM HEADER<br>2.54MM PITCH SINGLE ROW SINGLE WAFER SMT HEADER |  |   |  |
|   |  |       |  | CHK'D: MBELLE  |  | 2018/05/25             |  |  |  |   |  |
|   |  |       |  | APPR: ISHWARG  |  | 2018/06/13             |  | PRODUCT CUSTOMER DRAWING   |  |   |  |
|   |  |       |  | INITIAL REVISION:                                    |  |                        |  | DOCUMENT NUMBER  |  | DOC TYPE  |  |
|   |  |       |  | DRWN: SKLIM01  |  | 2005/10/26             |  | SD-87898-003   |  | PSD   |  |
|   |  |       |  | APPR: PTLIM  |  | 2005/11/07             |  | 001  |  | C   |  |
| ANGULAR TOL ± 3.0°  |  |       |  | DRAFT WHERE APPLICABLE MUST REMAIN WITHIN DIMENSIONS |  | THIRD ANGLE PROJECTION |  | DRAWING  |  | SHEET NUMBER  |  |
|   |  |       |  |  |  | A3-SIZE                |  | SERIES   |  | GENERAL MARKET  |  |
|   |  |       |  |  |  | 87898                  |  | MATERIAL NUMBER  |  | 6 OF 17   |  |
|   |  |       |  |  |  | SEE TABLE              |  | CUSTOMER   |  |   |  |


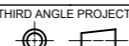
| PACKAGING OPTION PART NO. |               |                  |               |                         |                      | CKT SIZE | VOID POSITION | PLATING TYPE | DIMENSION |       |       |      |
|---------------------------|---------------|------------------|---------------|-------------------------|----------------------|----------|---------------|--------------|-----------|-------|-------|------|
| TRAY WITHOUT CAP          | TRAY WITH CAP | TUBE WITHOUT CAP | TUBE WITH CAP | TAPE & REEL WITHOUT CAP | TAPE & REEL WITH CAP |          |               |              | A         | B     | F     | M    |
| -----                     | -----         | 87898-1061       | -----         | -----                   | -----                | 10       | ----          | 1            | 25.40     | 22.86 | 11.94 | 8.13 |
| -----                     | -----         | 87898-1062       | -----         | -----                   | -----                | 10       | ----          | 2            | 25.40     | 22.86 | 11.94 | 8.13 |
| -----                     | -----         | 87898-1064       | -----         | -----                   | -----                | 10       | ----          | 4            | 25.40     | 22.86 | 11.94 | 8.13 |
| -----                     | -----         | 87898-1065       | -----         | -----                   | -----                | 10       | ----          | 5            | 25.40     | 22.86 | 11.94 | 8.13 |
| -----                     | -----         | 87898-1066       | -----         | -----                   | -----                | 10       | ----          | 6            | 25.40     | 22.86 | 11.94 | 8.13 |
|                           |               |                  |               |                         |                      |          |               |              |           |       |       |      |
|                           |               |                  |               |                         |                      |          |               |              |           |       |       |      |
| -----                     | -----         | 87898-1161       | -----         | -----                   | -----                | 11       | ----          | 1            | 27.94     | 25.40 | 11.94 | 8.13 |
| -----                     | -----         | 87898-1162       | -----         | -----                   | -----                | 11       | ----          | 2            | 27.94     | 25.40 | 11.94 | 8.13 |
| -----                     | -----         | 87898-1164       | -----         | -----                   | -----                | 11       | ----          | 4            | 27.94     | 25.40 | 11.94 | 8.13 |
| -----                     | -----         | 87898-1165       | -----         | -----                   | -----                | 11       | ----          | 5            | 27.94     | 25.40 | 11.94 | 8.13 |
| -----                     | -----         | 87898-1166       | -----         | -----                   | -----                | 11       | ----          | 6            | 27.94     | 25.40 | 11.94 | 8.13 |
|                           |               |                  |               |                         |                      |          |               |              |           |       |       |      |
|                           |               |                  |               |                         |                      |          |               |              |           |       |       |      |
| -----                     | -----         | 87898-1261       | -----         | -----                   | -----                | 12       | ----          | 1            | 30.48     | 27.94 | 11.94 | 8.13 |
| -----                     | -----         | 87898-1262       | -----         | -----                   | -----                | 12       | ----          | 2            | 30.48     | 27.94 | 11.94 | 8.13 |
| -----                     | -----         | 87898-1264       | -----         | -----                   | -----                | 12       | ----          | 4            | 30.48     | 27.94 | 11.94 | 8.13 |
| -----                     | -----         | 87898-1265       | -----         | -----                   | -----                | 12       | ----          | 5            | 30.48     | 27.94 | 11.94 | 8.13 |
| -----                     | -----         | 87898-1266       | -----         | -----                   | -----                | 12       | ----          | 6            | 30.48     | 27.94 | 11.94 | 8.13 |

|   |  |       |  |  |  |  |  |   |  |  |  |
|---|--|-------|--|--|--|--|--|---|--|--|--|
| THIS DRAWING CONTAINS INFORMATION THAT IS PROPRIETARY TO MOLEX ELECTRONIC TECHNOLOGIES, LLC AND SHOULD NOT BE USED WITHOUT WRITTEN PERMISSION |  |       |  |  |  |  |  |   |  |  |  |
| DIMENSION UNITS   |  | SCALE |  | CURRENT REV DESC: SH_04 & 05 UPDATED                 |  |  |  | <br>CUSTOM HEADER<br>2.54MM PITCH SINGLE ROW SINGLE WAFER SMT HEADER |  |  |  |
| mm  |  | NTS   |  | EC NO: 177265  |  |  |  |   |  |  |  |
| GENERAL TOLERANCES (UNLESS SPECIFIED)   |  |       |  | DRWN: RLALSANGI 2018/05/16                           |  |  |  | PRODUCT CUSTOMER DRAWING  |  |  |  |
|   |  |       |  | CHK'D: MBELLE 2018/05/25                             |  |  |  |   |  |  |  |
|   |  |       |  | APPR: ISHWARG 2018/06/13                             |  |  |  | DOCUMENT NUMBER: SD-87898-003<br>DOC TYPE: PSD<br>DOC PART: 001<br>REVISION: C  |  |  |  |
|   |  |       |  | INITIAL REVISION:                                    |  |  |  |   |  |  |  |
| 4 PLACES ±  |  |       |  | DRWN: SKLIM01 2005/10/26                             |  |  |  | MATERIAL NUMBER: SEE TABLE<br>CUSTOMER: GENERAL MARKET<br>SHEET NUMBER: 7 OF 17   |  |  |  |
| 3 PLACES ±  |  |       |  | APPR: PTLIM 2005/11/07                               |  |  |  |   |  |  |  |
| 2 PLACES ± 0.2  |  |       |  | THIRD ANGLE PROJECTION                               |  |  |  | DRAWING: A3-SIZE<br>SERIES: 87898   |  |  |  |
| 1 PLACE ±   |  |       |  | DRAFT WHERE APPLICABLE MUST REMAIN WITHIN DIMENSIONS |  |  |  |   |  |  |  |
| 0 PLACES ±  |  |       |  | ANGULAR TOL ± 3.0°                                   |  |  |  |   |  |  |  |

| PACKAGING OPTION PART NO. |               |                  |               |                         |                      | CKT SIZE | VOID POSITION | PLATING TYPE | DIMENSION |       |       |      |
|---------------------------|---------------|------------------|---------------|-------------------------|----------------------|----------|---------------|--------------|-----------|-------|-------|------|
| TRAY WITHOUT CAP          | TRAY WITH CAP | TUBE WITHOUT CAP | TUBE WITH CAP | TAPE & REEL WITHOUT CAP | TAPE & REEL WITH CAP |          |               |              | A         | B     | F     | M    |
| -----                     | -----         | 87898-1361       | -----         | -----                   | -----                | 13       | ----          | 1            | 33.02     | 30.48 | 11.94 | 8.13 |
| -----                     | -----         | 87898-1362       | -----         | -----                   | -----                | 13       | ----          | 2            | 33.02     | 30.48 | 11.94 | 8.13 |
| -----                     | -----         | 87898-1364       | -----         | -----                   | -----                | 13       | ----          | 4            | 33.02     | 30.48 | 11.94 | 8.13 |
| -----                     | -----         | 87898-1365       | -----         | -----                   | -----                | 13       | ----          | 5            | 33.02     | 30.48 | 11.94 | 8.13 |
| -----                     | -----         | 87898-1366       | -----         | -----                   | -----                | 13       | ----          | 6            | 33.02     | 30.48 | 11.94 | 8.13 |
|                           |               |                  |               |                         |                      |          |               |              |           |       |       |      |
|                           |               |                  |               |                         |                      |          |               |              |           |       |       |      |
| -----                     | -----         | 87898-1461       | -----         | -----                   | -----                | 14       | ----          | 1            | 35.56     | 33.02 | 11.94 | 8.13 |
| -----                     | -----         | 87898-1462       | -----         | -----                   | -----                | 14       | ----          | 2            | 35.56     | 33.02 | 11.94 | 8.13 |
| -----                     | -----         | 87898-1464       | -----         | -----                   | -----                | 14       | ----          | 4            | 35.56     | 33.02 | 11.94 | 8.13 |
| -----                     | -----         | 87898-1465       | -----         | -----                   | -----                | 14       | ----          | 5            | 35.56     | 33.02 | 11.94 | 8.13 |
| -----                     | -----         | 87898-1466       | -----         | -----                   | -----                | 14       | ----          | 6            | 35.56     | 33.02 | 11.94 | 8.13 |
|                           |               |                  |               |                         |                      |          |               |              |           |       |       |      |
|                           |               |                  |               |                         |                      |          |               |              |           |       |       |      |
| -----                     | -----         | 87898-1561       | -----         | -----                   | -----                | 15       | ----          | 1            | 38.10     | 35.56 | 11.94 | 8.13 |
| -----                     | -----         | 87898-1562       | -----         | -----                   | -----                | 15       | ----          | 2            | 38.10     | 35.56 | 11.94 | 8.13 |
| -----                     | -----         | 87898-1564       | -----         | -----                   | -----                | 15       | ----          | 4            | 38.10     | 35.56 | 11.94 | 8.13 |
| -----                     | -----         | 87898-1565       | -----         | -----                   | -----                | 15       | ----          | 5            | 38.10     | 35.56 | 11.94 | 8.13 |
| -----                     | -----         | 87898-1566       | -----         | -----                   | -----                | 15       | ----          | 6            | 38.10     | 35.56 | 11.94 | 8.13 |

|   |  |       |  |  |  |                        |  |   |  |   |  |
|---|--|-------|--|--|--|------------------------|--|---|--|---|--|
| THIS DRAWING CONTAINS INFORMATION THAT IS PROPRIETARY TO MOLEX ELECTRONIC TECHNOLOGIES, LLC AND SHOULD NOT BE USED WITHOUT WRITTEN PERMISSION |  |       |  |  |  |                        |  |   |  |   |  |
| DIMENSION UNITS   |  | SCALE |  | CURRENT REV DESC: SH_04 & 05 UPDATED                 |  |                        |  |   |  |  |  |
| mm  |  | NTS   |  | EC NO: 177265  |  |                        |  |   |  |   |  |
| GENERAL TOLERANCES (UNLESS SPECIFIED)   |  |       |  | DRWN: RLALSANGI                                      |  | 2018/05/16             |  | CUSTOM HEADER                                   |  |   |  |
|   |  |       |  | CHK'D: MBELLE  |  | 2018/05/25             |  | 2.54MM PITCH SINGLE ROW SINGLE WAFER SMT HEADER |  |   |  |
|   |  |       |  | APPR: ISHWARG  |  | 2018/06/13             |  | PRODUCT CUSTOMER DRAWING                        |  |   |  |
| 4 PLACES ±  |  |       |  | INITIAL REVISION:                                    |  | DRWN: SKLIM01          |  | DOCUMENT NUMBER                                 |  | DOC TYPE  |  |
| 3 PLACES ±  |  |       |  | DRWN: SKLIM01  |  | 2005/10/26             |  | SD-87898-003                                    |  | PSD   |  |
| 2 PLACES ± 0.2  |  |       |  | APPR: PTLIM  |  | 2005/11/07             |  | 001   |  | C   |  |
| 1 PLACE ±   |  |       |  | DRAFT WHERE APPLICABLE MUST REMAIN WITHIN DIMENSIONS |  | THIRD ANGLE PROJECTION |  | DRAWING   |  | SERIES  |  |
| 0 PLACES ±  |  |       |  |  |  | A3-SIZE                |  | 87898   |  | MATERIAL NUMBER   |  |
| ANGULAR TOL ± 3.0°  |  |       |  |  |  |                        |  | SEE TABLE                                       |  | CUSTOMER  |  |
|   |  |       |  |  |  |                        |  | GENERAL MARKET                                  |  | SHEET NUMBER  |  |
|   |  |       |  |  |  |                        |  | 8 OF 17   |  |   |  |

| PACKAGING OPTION PART NO. |               |                  |               |                         |                      | CKT SIZE | VOID POSITION | PLATING TYPE | DIMENSION |       |       |      |
|---------------------------|---------------|------------------|---------------|-------------------------|----------------------|----------|---------------|--------------|-----------|-------|-------|------|
| TRAY WITHOUT CAP          | TRAY WITH CAP | TUBE WITHOUT CAP | TUBE WITH CAP | TAPE & REEL WITHOUT CAP | TAPE & REEL WITH CAP |          |               |              | A         | B     | F     | M    |
| -----                     | -----         | 87898-1661       | -----         | -----                   | -----                | 16       | ----          | 1            | 40.64     | 38.10 | 11.94 | 8.13 |
| -----                     | -----         | 87898-1662       | -----         | -----                   | -----                | 16       | ----          | 2            | 40.64     | 38.10 | 11.94 | 8.13 |
| -----                     | -----         | 87898-1664       | -----         | -----                   | -----                | 16       | ----          | 4            | 40.64     | 38.10 | 11.94 | 8.13 |
| -----                     | -----         | 87898-1665       | -----         | -----                   | -----                | 16       | ----          | 5            | 40.64     | 38.10 | 11.94 | 8.13 |
| -----                     | -----         | 87898-1666       | -----         | -----                   | -----                | 16       | ----          | 6            | 40.64     | 38.10 | 11.94 | 8.13 |
|                           |               |                  |               |                         |                      |          |               |              |           |       |       |      |
|                           |               |                  |               |                         |                      |          |               |              |           |       |       |      |
| -----                     | -----         | 87898-1761       | -----         | -----                   | -----                | 17       | ----          | 1            | 43.18     | 40.64 | 11.94 | 8.13 |
| -----                     | -----         | 87898-1762       | -----         | -----                   | -----                | 17       | ----          | 2            | 43.18     | 40.64 | 11.94 | 8.13 |
| -----                     | -----         | 87898-1764       | -----         | -----                   | -----                | 17       | ----          | 4            | 43.18     | 40.64 | 11.94 | 8.13 |
| -----                     | -----         | 87898-1765       | -----         | -----                   | -----                | 17       | ----          | 5            | 43.18     | 40.64 | 11.94 | 8.13 |
| -----                     | -----         | 87898-1766       | -----         | -----                   | -----                | 17       | ----          | 6            | 43.18     | 40.64 | 11.94 | 8.13 |
|                           |               |                  |               |                         |                      |          |               |              |           |       |       |      |
|                           |               |                  |               |                         |                      |          |               |              |           |       |       |      |
| -----                     | -----         | 87898-1861       | -----         | -----                   | -----                | 18       | ----          | 1            | 45.72     | 43.18 | 11.94 | 8.13 |
| -----                     | -----         | 87898-1862       | -----         | -----                   | -----                | 18       | ----          | 2            | 45.72     | 43.18 | 11.94 | 8.13 |
| -----                     | -----         | 87898-1864       | -----         | -----                   | -----                | 18       | ----          | 4            | 45.72     | 43.18 | 11.94 | 8.13 |
| -----                     | -----         | 87898-1865       | -----         | -----                   | -----                | 18       | ----          | 5            | 45.72     | 43.18 | 11.94 | 8.13 |
| -----                     | -----         | 87898-1866       | -----         | -----                   | -----                | 18       | ----          | 6            | 45.72     | 43.18 | 11.94 | 8.13 |

|   |  |       |  |  |  |   |  |  |  |   |  |                 |  |
|---|--|-------|--|--|--|---|--|--|--|---|--|-----------------|--|
| THIS DRAWING CONTAINS INFORMATION THAT IS PROPRIETARY TO MOLEX ELECTRONIC TECHNOLOGIES, LLC AND SHOULD NOT BE USED WITHOUT WRITTEN PERMISSION |  |       |  |  |  |   |  |  |  |   |  |                 |  |
| DIMENSION UNITS   |  | SCALE |  | CURRENT REV DESC: SH_04 & 05 UPDATED                 |  |   |  |  |  |  |  |                 |  |
| mm  |  | NTS   |  | EC NO: 177265  |  |   |  |  |  |   |  |                 |  |
| GENERAL TOLERANCES (UNLESS SPECIFIED)   |  |       |  | DRWN: RLALSANGI                                      |  | 2018/05/16  |  | CUSTOM HEADER<br>2.54MM PITCH SINGLE ROW SINGLE WAFER SMT HEADER |  |   |  |                 |  |
|   |  |       |  | CHK'D: MBELLE  |  | 2018/05/25  |  |  |  |   |  |                 |  |
|   |  |       |  | APPR: ISHWARG  |  | 2018/06/13  |  | PRODUCT CUSTOMER DRAWING   |  |   |  |                 |  |
|   |  |       |  | INITIAL REVISION:                                    |  |   |  | DOCUMENT NUMBER  |  | DOC TYPE  |  | DOC PART        |  |
|   |  |       |  | DRWN: SKLIM01  |  | 2005/10/26  |  | SD-87898-003   |  | PSD   |  | 001             |  |
|   |  |       |  | APPR: PTLIM  |  | 2005/11/07  |  |  |  |   |  | C               |  |
| ANGULAR TOL ± 3.0°  |  |       |  | DRAFT WHERE APPLICABLE MUST REMAIN WITHIN DIMENSIONS |  | THIRD ANGLE PROJECTION  |  | DRAWING  |  | SERIES  |  | MATERIAL NUMBER |  |
|   |  |       |  |  |  |  |  | A3-SIZE  |  | 87898   |  | SEE TABLE       |  |
|   |  |       |  |  |  |   |  | GENERAL MARKET   |  |   |  | SHEET NUMBER    |  |
|   |  |       |  |  |  |   |  |  |  |   |  | 9 OF 17         |  |

| PACKAGING OPTION PART NO. |               |                  |               |                         |                      | CKT SIZE | VOID POSITION | PLATING TYPE | DIMENSION |       |       |      |
|---------------------------|---------------|------------------|---------------|-------------------------|----------------------|----------|---------------|--------------|-----------|-------|-------|------|
| TRAY WITHOUT CAP          | TRAY WITH CAP | TUBE WITHOUT CAP | TUBE WITH CAP | TAPE & REEL WITHOUT CAP | TAPE & REEL WITH CAP |          |               |              | A         | B     | F     | M    |
| -----                     | -----         | 87898-1961       | -----         | -----                   | -----                | 19       | ----          | 1            | 48.26     | 45.72 | 11.94 | 8.13 |
| -----                     | -----         | 87898-1962       | -----         | -----                   | -----                | 19       | ----          | 2            | 48.26     | 45.72 | 11.94 | 8.13 |
| -----                     | -----         | 87898-1964       | -----         | -----                   | -----                | 19       | ----          | 4            | 48.26     | 45.72 | 11.94 | 8.13 |
| -----                     | -----         | 87898-1965       | -----         | -----                   | -----                | 19       | ----          | 5            | 48.26     | 45.72 | 11.94 | 8.13 |
| -----                     | -----         | 87898-1966       | -----         | -----                   | -----                | 19       | ----          | 6            | 48.26     | 45.72 | 11.94 | 8.13 |
|                           |               |                  |               |                         |                      |          |               |              |           |       |       |      |
|                           |               |                  |               |                         |                      |          |               |              |           |       |       |      |
| -----                     | -----         | 87898-2061       | -----         | -----                   | -----                | 20       | ----          | 1            | 50.80     | 48.26 | 11.94 | 8.13 |
| -----                     | -----         | 87898-2062       | -----         | -----                   | -----                | 20       | ----          | 2            | 50.80     | 48.26 | 11.94 | 8.13 |
| -----                     | -----         | 87898-2064       | -----         | -----                   | -----                | 20       | ----          | 4            | 50.80     | 48.26 | 11.94 | 8.13 |
| -----                     | -----         | 87898-2065       | -----         | -----                   | -----                | 20       | ----          | 5            | 50.80     | 48.26 | 11.94 | 8.13 |
| -----                     | -----         | 87898-2066       | -----         | -----                   | -----                | 20       | ----          | 6            | 50.80     | 48.26 | 11.94 | 8.13 |
|                           |               |                  |               |                         |                      |          |               |              |           |       |       |      |
|                           |               |                  |               |                         |                      |          |               |              |           |       |       |      |
| -----                     | -----         | 87898-2161       | -----         | -----                   | -----                | 21       | ----          | 1            | 53.34     | 50.80 | 11.94 | 8.13 |
| -----                     | -----         | 87898-2162       | -----         | -----                   | -----                | 21       | ----          | 2            | 53.34     | 50.80 | 11.94 | 8.13 |
| -----                     | -----         | 87898-2164       | -----         | -----                   | -----                | 21       | ----          | 4            | 53.34     | 50.80 | 11.94 | 8.13 |
| -----                     | -----         | 87898-2165       | -----         | -----                   | -----                | 21       | ----          | 5            | 53.34     | 50.80 | 11.94 | 8.13 |
| -----                     | -----         | 87898-2166       | -----         | -----                   | -----                | 21       | ----          | 6            | 53.34     | 50.80 | 11.94 | 8.13 |


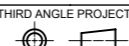
|   |  |       |  |                                      |  |            |  |  |  |              |  |
|---|--|-------|--|--------------------------------------|--|------------|--|--|--|--------------|--|
| THIS DRAWING CONTAINS INFORMATION THAT IS PROPRIETARY TO MOLEX ELECTRONIC TECHNOLOGIES, LLC AND SHOULD NOT BE USED WITHOUT WRITTEN PERMISSION |  |       |  |                                      |  |            |  |  |  |              |  |
| DIMENSION UNITS   |  | SCALE |  | CURRENT REV DESC: SH_04 & 05 UPDATED |  |            |  |  |  | <b>molex</b> |  |
| mm  |  | NTS   |  | EC NO: 177265                        |  |            |  |  |  |              |  |
| GENERAL TOLERANCES (UNLESS SPECIFIED)   |  |       |  | DRWN: RLALSANGI                      |  | 2018/05/16 |  | CUSTOM HEADER                            |  |              |  |
|   |  |       |  | CHK'D: MBELLE                        |  | 2018/05/25 |  | 2.54MM PITCH SINGLE ROW SINGLE WAFER SMT |  |              |  |
|   |  |       |  | APPR: ISHWARG                        |  | 2018/06/13 |  | HEADER                                   |  |              |  |
|   |  |       |  | PRODUCT CUSTOMER DRAWING             |  |            |  |  |  |              |  |
| 4 PLACES ±  |  | ±     |  | INITIAL REVISION:                    |  |            |  | DOCUMENT NUMBER                          |  | DOC TYPE     |  |
| 3 PLACES ±  |  | ±     |  | DRWN: SKLIM01                        |  |            |  | SD-87898-003                             |  | PSD          |  |
| 2 PLACES ±  |  | 0.2 ± |  | APPR: PTLIM                          |  |            |  | 001                                      |  | C            |  |
| 1 PLACE ±   |  | ±     |  | SERIES                               |  |            |  | 87898                                    |  | REVISION     |  |
| 0 PLACES ±  |  | ±     |  | MATERIAL NUMBER                      |  |            |  | SEE TABLE                                |  | CUSTOMER     |  |
| ANGULAR TOL ± 3.0°  |  |       |  | THIRD ANGLE PROJECTION               |  | DRAWING    |  | GENERAL MARKET                           |  | SHEET NUMBER |  |
| DRAFT WHERE APPLICABLE MUST REMAIN WITHIN DIMENSIONS  |  |       |  |                                      |  | A3-SIZE    |  | 10 OF 17                                 |  |              |  |

| PACKAGING OPTION PART NO. |               |                  |               |                         |                      | CKT SIZE | VOID POSITION | PLATING TYPE | DIMENSION |       |       |      |
|---------------------------|---------------|------------------|---------------|-------------------------|----------------------|----------|---------------|--------------|-----------|-------|-------|------|
| TRAY WITHOUT CAP          | TRAY WITH CAP | TUBE WITHOUT CAP | TUBE WITH CAP | TAPE & REEL WITHOUT CAP | TAPE & REEL WITH CAP |          |               |              | A         | B     | F     | M    |
| -----                     | -----         | 87898-2261       | -----         | -----                   | -----                | 22       | ----          | 1            | 55.88     | 53.34 | 11.94 | 8.13 |
| -----                     | -----         | 87898-2262       | -----         | -----                   | -----                | 22       | ----          | 2            | 55.88     | 53.34 | 11.94 | 8.13 |
| -----                     | -----         | 87898-2264       | -----         | -----                   | -----                | 22       | ----          | 4            | 55.88     | 53.34 | 11.94 | 8.13 |
| -----                     | -----         | 87898-2265       | -----         | -----                   | -----                | 22       | ----          | 5            | 55.88     | 53.34 | 11.94 | 8.13 |
| -----                     | -----         | 87898-2266       | -----         | -----                   | -----                | 22       | ----          | 6            | 55.88     | 53.34 | 11.94 | 8.13 |
|                           |               |                  |               |                         |                      |          |               |              |           |       |       |      |
|                           |               |                  |               |                         |                      |          |               |              |           |       |       |      |
| -----                     | -----         | 87898-2361       | -----         | -----                   | -----                | 23       | ----          | 1            | 58.42     | 55.88 | 11.94 | 8.13 |
| -----                     | -----         | 87898-2362       | -----         | -----                   | -----                | 23       | ----          | 2            | 58.42     | 55.88 | 11.94 | 8.13 |
| -----                     | -----         | 87898-2364       | -----         | -----                   | -----                | 23       | ----          | 4            | 58.42     | 55.88 | 11.94 | 8.13 |
| -----                     | -----         | 87898-2365       | -----         | -----                   | -----                | 23       | ----          | 5            | 58.42     | 55.88 | 11.94 | 8.13 |
| -----                     | -----         | 87898-2366       | -----         | -----                   | -----                | 23       | ----          | 6            | 58.42     | 55.88 | 11.94 | 8.13 |
|                           |               |                  |               |                         |                      |          |               |              |           |       |       |      |
|                           |               |                  |               |                         |                      |          |               |              |           |       |       |      |
| -----                     | -----         | 87898-2461       | -----         | -----                   | -----                | 24       | ----          | 1            | 60.96     | 58.42 | 11.94 | 8.13 |
| -----                     | -----         | 87898-2462       | -----         | -----                   | -----                | 24       | ----          | 2            | 60.96     | 58.42 | 11.94 | 8.13 |
| -----                     | -----         | 87898-2464       | -----         | -----                   | -----                | 24       | ----          | 4            | 60.96     | 58.42 | 11.94 | 8.13 |
| -----                     | -----         | 87898-2465       | -----         | -----                   | -----                | 24       | ----          | 5            | 60.96     | 58.42 | 11.94 | 8.13 |
| -----                     | -----         | 87898-2466       | -----         | -----                   | -----                | 24       | ----          | 6            | 60.96     | 58.42 | 11.94 | 8.13 |


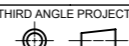
|   |  |       |  |  |  |                        |  |   |  |                 |  |
|---|--|-------|--|--|--|------------------------|--|---|--|-----------------|--|
| THIS DRAWING CONTAINS INFORMATION THAT IS PROPRIETARY TO MOLEX ELECTRONIC TECHNOLOGIES, LLC AND SHOULD NOT BE USED WITHOUT WRITTEN PERMISSION |  |       |  |  |  |                        |  |   |  |                 |  |
| DIMENSION UNITS   |  | SCALE |  | CURRENT REV DESC: SH_04 & 05 UPDATED                 |  |                        |  |   |  | <b>molex</b>    |  |
| mm  |  | NTS   |  | EC NO: 177265  |  |                        |  |   |  |                 |  |
| GENERAL TOLERANCES (UNLESS SPECIFIED)   |  |       |  | DRWN: RLALSANGI                                      |  | 2018/05/16             |  | CUSTOM HEADER                                   |  |                 |  |
|   |  |       |  | CHK'D: MBELLE  |  | 2018/05/25             |  | 2.54MM PITCH SINGLE ROW SINGLE WAFER SMT HEADER |  |                 |  |
|   |  |       |  | APPR: ISHWARG  |  | 2018/06/13             |  | PRODUCT CUSTOMER DRAWING                        |  |                 |  |
| 4 PLACES ±  |  |       |  | INITIAL REVISION:                                    |  | DRWN: SKLIM01          |  | DOCUMENT NUMBER                                 |  | DOC TYPE        |  |
| 3 PLACES ±  |  |       |  | DRWN: SKLIM01  |  | 2005/10/26             |  | SD-87898-003                                    |  | PSD             |  |
| 2 PLACES ± 0.2  |  |       |  | APPR: PTLIM  |  | 2005/11/07             |  | 001   |  | C               |  |
| 1 PLACE ±   |  |       |  | DRAFT WHERE APPLICABLE MUST REMAIN WITHIN DIMENSIONS |  | THIRD ANGLE PROJECTION |  | DRAWING   |  | SERIES          |  |
| 0 PLACES ±  |  |       |  |  |  | A3-SIZE                |  | 87898   |  | MATERIAL NUMBER |  |
| ANGULAR TOL ± 3.0°  |  |       |  |  |  | SEE TABLE              |  | CUSTOMER  |  | SHEET NUMBER    |  |
|   |  |       |  |  |  | GENERAL MARKET         |  |   |  | 11 OF 17        |  |




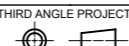
| PACKAGING OPTION PART NO. |               |                  |               |                         |                      | CKT SIZE | VOID POSITION | PLATING TYPE | DIMENSION |       |       |      |
|---------------------------|---------------|------------------|---------------|-------------------------|----------------------|----------|---------------|--------------|-----------|-------|-------|------|
| TRAY WITHOUT CAP          | TRAY WITH CAP | TUBE WITHOUT CAP | TUBE WITH CAP | TAPE & REEL WITHOUT CAP | TAPE & REEL WITH CAP |          |               |              | A         | B     | F     | M    |
| -----                     | -----         | 87898-2561       | -----         | -----                   | -----                | 25       | ----          | 1            | 63.50     | 60.96 | 11.94 | 8.13 |
| -----                     | -----         | 87898-2562       | -----         | -----                   | -----                | 25       | ----          | 2            | 63.50     | 60.96 | 11.94 | 8.13 |
| -----                     | -----         | 87898-2564       | -----         | -----                   | -----                | 25       | ----          | 4            | 63.50     | 60.96 | 11.94 | 8.13 |
| -----                     | -----         | 87898-2565       | -----         | -----                   | -----                | 25       | ----          | 5            | 63.50     | 60.96 | 11.94 | 8.13 |
| -----                     | -----         | 87898-2566       | -----         | -----                   | -----                | 25       | ----          | 6            | 63.50     | 60.96 | 11.94 | 8.13 |
|                           |               |                  |               |                         |                      |          |               |              |           |       |       |      |
|                           |               |                  |               |                         |                      |          |               |              |           |       |       |      |
| -----                     | -----         | 87898-2661       | -----         | -----                   | -----                | 26       | ----          | 1            | 66.04     | 63.50 | 11.94 | 8.13 |
| -----                     | -----         | 87898-2662       | -----         | -----                   | -----                | 26       | ----          | 2            | 66.04     | 63.50 | 11.94 | 8.13 |
| -----                     | -----         | 87898-2664       | -----         | -----                   | -----                | 26       | ----          | 4            | 66.04     | 63.50 | 11.94 | 8.13 |
| -----                     | -----         | 87898-2665       | -----         | -----                   | -----                | 26       | ----          | 5            | 66.04     | 63.50 | 11.94 | 8.13 |
| -----                     | -----         | 87898-2666       | -----         | -----                   | -----                | 26       | ----          | 6            | 66.04     | 63.50 | 11.94 | 8.13 |
|                           |               |                  |               |                         |                      |          |               |              |           |       |       |      |
|                           |               |                  |               |                         |                      |          |               |              |           |       |       |      |
| -----                     | -----         | 87898-2761       | -----         | -----                   | -----                | 27       | ----          | 1            | 68.58     | 66.04 | 11.94 | 8.13 |
| -----                     | -----         | 87898-2762       | -----         | -----                   | -----                | 27       | ----          | 2            | 68.58     | 66.04 | 11.94 | 8.13 |
| -----                     | -----         | 87898-2764       | -----         | -----                   | -----                | 27       | ----          | 4            | 68.58     | 66.04 | 11.94 | 8.13 |
| -----                     | -----         | 87898-2765       | -----         | -----                   | -----                | 27       | ----          | 5            | 68.58     | 66.04 | 11.94 | 8.13 |
| -----                     | -----         | 87898-2766       | -----         | -----                   | -----                | 27       | ----          | 6            | 68.58     | 66.04 | 11.94 | 8.13 |

|   |  |       |  |   |  |         |  |   |  |                 |  |                |  |
|---|--|-------|--|---|--|---------|--|---|--|-----------------|--|----------------|--|
| THIS DRAWING CONTAINS INFORMATION THAT IS PROPRIETARY TO MOLEX ELECTRONIC TECHNOLOGIES, LLC AND SHOULD NOT BE USED WITHOUT WRITTEN PERMISSION |  |       |  |   |  |         |  |   |  |                 |  |                |  |
| DIMENSION UNITS   |  | SCALE |  | CURRENT REV DESC: SH_04 & 05 UPDATED  |  |         |  |  |  |                 |  |                |  |
| mm  |  | NTS   |  | EC NO: 177265   |  |         |  |   |  |                 |  |                |  |
| GENERAL TOLERANCES (UNLESS SPECIFIED)   |  |       |  | DRWN: RLALSANGI 2018/05/16  |  |         |  | CUSTOM HEADER<br>2.54MM PITCH SINGLE ROW SINGLE WAFER SMT HEADER                      |  |                 |  |                |  |
|   |  |       |  | CHK'D: MBELLE 2018/05/25  |  |         |  |   |  |                 |  |                |  |
|   |  |       |  | APPR: ISHWARG 2018/06/13  |  |         |  | PRODUCT CUSTOMER DRAWING  |  |                 |  |                |  |
|   |  |       |  | INITIAL REVISION:   |  |         |  |   |  |                 |  |                |  |
| 4 PLACES ±  |  |       |  | DRWN: SKLIM01 2005/10/26  |  |         |  | DOCUMENT NUMBER   |  | DOC TYPE        |  | DOC PART       |  |
| 3 PLACES ±  |  |       |  | APPR: PTLIM 2005/11/07  |  |         |  | SD-87898-003  |  | PSD             |  | 001            |  |
| 2 PLACES ± 0.2  |  |       |  |   |  |         |  |   |  |                 |  |                |  |
| 1 PLACE ±   |  |       |  |   |  |         |  |   |  |                 |  |                |  |
| 0 PLACES ±  |  |       |  |   |  |         |  |   |  |                 |  |                |  |
| ANGULAR TOL ± 3.0°  |  |       |  |   |  |         |  |   |  |                 |  |                |  |
| DRAFT WHERE APPLICABLE MUST REMAIN WITHIN DIMENSIONS  |  |       |  | THIRD ANGLE PROJECTION  |  | DRAWING |  | SERIES  |  | MATERIAL NUMBER |  | CUSTOMER       |  |
|   |  |       |  |  |  | A3-SIZE |  | 87898   |  | SEE TABLE       |  | GENERAL MARKET |  |
|   |  |       |  |   |  |         |  |   |  |                 |  | SHEET NUMBER   |  |
|   |  |       |  |   |  |         |  |   |  |                 |  | 12 OF 17       |  |


| PACKAGING OPTION PART NO. |               |                  |               |                         |                      | CKT SIZE | VOID POSITION | PLATING TYPE | DIMENSION |       |       |      |
|---------------------------|---------------|------------------|---------------|-------------------------|----------------------|----------|---------------|--------------|-----------|-------|-------|------|
| TRAY WITHOUT CAP          | TRAY WITH CAP | TUBE WITHOUT CAP | TUBE WITH CAP | TAPE & REEL WITHOUT CAP | TAPE & REEL WITH CAP |          |               |              | A         | B     | F     | M    |
| -----                     | -----         | 87898-2861       | -----         | -----                   | -----                | 28       | ----          | 1            | 71.12     | 68.58 | 11.94 | 8.13 |
| -----                     | -----         | 87898-2862       | -----         | -----                   | -----                | 28       | ----          | 2            | 71.12     | 68.58 | 11.94 | 8.13 |
| -----                     | -----         | 87898-2864       | -----         | -----                   | -----                | 28       | ----          | 4            | 71.12     | 68.58 | 11.94 | 8.13 |
| -----                     | -----         | 87898-2865       | -----         | -----                   | -----                | 28       | ----          | 5            | 71.12     | 68.58 | 11.94 | 8.13 |
| -----                     | -----         | 87898-2866       | -----         | -----                   | -----                | 28       | ----          | 6            | 71.12     | 68.58 | 11.94 | 8.13 |
|                           |               |                  |               |                         |                      |          |               |              |           |       |       |      |
|                           |               |                  |               |                         |                      |          |               |              |           |       |       |      |
| -----                     | -----         | 87898-2961       | -----         | -----                   | -----                | 29       | ----          | 1            | 73.66     | 71.12 | 11.94 | 8.13 |
| -----                     | -----         | 87898-2962       | -----         | -----                   | -----                | 29       | ----          | 2            | 73.66     | 71.12 | 11.94 | 8.13 |
| -----                     | -----         | 87898-2964       | -----         | -----                   | -----                | 29       | ----          | 4            | 73.66     | 71.12 | 11.94 | 8.13 |
| -----                     | -----         | 87898-2965       | -----         | -----                   | -----                | 29       | ----          | 5            | 73.66     | 71.12 | 11.94 | 8.13 |
| -----                     | -----         | 87898-2966       | -----         | -----                   | -----                | 29       | ----          | 6            | 73.66     | 71.12 | 11.94 | 8.13 |
|                           |               |                  |               |                         |                      |          |               |              |           |       |       |      |
|                           |               |                  |               |                         |                      |          |               |              |           |       |       |      |
| -----                     | -----         | 87898-3061       | -----         | -----                   | -----                | 30       | ----          | 1            | 76.20     | 73.66 | 11.94 | 8.13 |
| -----                     | -----         | 87898-3062       | -----         | -----                   | -----                | 30       | ----          | 2            | 76.20     | 73.66 | 11.94 | 8.13 |
| -----                     | -----         | 87898-3064       | -----         | -----                   | -----                | 30       | ----          | 4            | 76.20     | 73.66 | 11.94 | 8.13 |
| -----                     | -----         | 87898-3065       | -----         | -----                   | -----                | 30       | ----          | 5            | 76.20     | 73.66 | 11.94 | 8.13 |
| -----                     | -----         | 87898-3066       | -----         | -----                   | -----                | 30       | ----          | 6            | 76.20     | 73.66 | 11.94 | 8.13 |

|   |  |       |  |   |  |  |  |   |  |                |  |                 |  |
|---|--|-------|--|---|--|--|--|---|--|----------------|--|-----------------|--|
| THIS DRAWING CONTAINS INFORMATION THAT IS PROPRIETARY TO MOLEX ELECTRONIC TECHNOLOGIES, LLC AND SHOULD NOT BE USED WITHOUT WRITTEN PERMISSION |  |       |  |   |  |  |  |   |  |                |  |                 |  |
| DIMENSION UNITS   |  | SCALE |  | CURRENT REV DESC: SH_04 & 05 UPDATED  |  |  |  |  |  |                |  |                 |  |
| mm  |  | NTS   |  | EC NO: 177265   |  |  |  |   |  |                |  |                 |  |
| GENERAL TOLERANCES (UNLESS SPECIFIED)   |  |       |  | DRWN: RLALSANGI 2018/05/16  |  |  |  | CUSTOM HEADER<br>2.54MM PITCH SINGLE ROW SINGLE WAFER SMT HEADER                      |  |                |  |                 |  |
|   |  |       |  | CHK'D: MBELLE 2018/05/25  |  |  |  |   |  |                |  |                 |  |
|   |  |       |  | APPR: ISHWARG 2018/06/13  |  |  |  | PRODUCT CUSTOMER DRAWING  |  |                |  |                 |  |
| 4 PLACES ±  |  |       |  | INITIAL REVISION:   |  |  |  | DOCUMENT NUMBER   |  | DOC TYPE       |  | DOC PART        |  |
| 3 PLACES ±  |  |       |  | DRWN: SKLIM01 2005/10/26  |  |  |  | SD-87898-003  |  | PSD            |  | 001             |  |
| 2 PLACES ± 0.2  |  |       |  | APPR: PTLIM 2005/11/07  |  |  |  |   |  |                |  | C               |  |
| 1 PLACE ±   |  |       |  | DRAFT WHERE APPLICABLE MUST REMAIN WITHIN DIMENSIONS                                  |  |  |  | THIRD ANGLE PROJECTION  |  | DRAWING        |  | SERIES          |  |
| 0 PLACES ±  |  |       |  |  |  |  |  | A3-SIZE   |  | 87898          |  | MATERIAL NUMBER |  |
| ANGULAR TOL ± 3.0°  |  |       |  | SEE TABLE   |  |  |  | CUSTOMER  |  | GENERAL MARKET |  | SHEET NUMBER    |  |


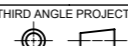
| PACKAGING OPTION PART NO. |               |                  |               |                         |                      | CKT SIZE | VOID POSITION | PLATING TYPE | DIMENSION |       |       |      |
|---------------------------|---------------|------------------|---------------|-------------------------|----------------------|----------|---------------|--------------|-----------|-------|-------|------|
| TRAY WITHOUT CAP          | TRAY WITH CAP | TUBE WITHOUT CAP | TUBE WITH CAP | TAPE & REEL WITHOUT CAP | TAPE & REEL WITH CAP |          |               |              | A         | B     | F     | M    |
| -----                     | -----         | 87898-3161       | -----         | -----                   | -----                | 31       | ----          | 1            | 78.74     | 76.20 | 11.94 | 8.13 |
| -----                     | -----         | 87898-3162       | -----         | -----                   | -----                | 31       | ----          | 2            | 78.74     | 76.20 | 11.94 | 8.13 |
| -----                     | -----         | 87898-3164       | -----         | -----                   | -----                | 31       | ----          | 4            | 78.74     | 76.20 | 11.94 | 8.13 |
| -----                     | -----         | 87898-3165       | -----         | -----                   | -----                | 31       | ----          | 5            | 78.74     | 76.20 | 11.94 | 8.13 |
| -----                     | -----         | 87898-3166       | -----         | -----                   | -----                | 31       | ----          | 6            | 78.74     | 76.20 | 11.94 | 8.13 |
|                           |               |                  |               |                         |                      |          |               |              |           |       |       |      |
|                           |               |                  |               |                         |                      |          |               |              |           |       |       |      |
| -----                     | -----         | 87898-3261       | -----         | -----                   | -----                | 32       | ----          | 1            | 81.28     | 78.74 | 11.94 | 8.13 |
| -----                     | -----         | 87898-3262       | -----         | -----                   | -----                | 32       | ----          | 2            | 81.28     | 78.74 | 11.94 | 8.13 |
| -----                     | -----         | 87898-3264       | -----         | -----                   | -----                | 32       | ----          | 4            | 81.28     | 78.74 | 11.94 | 8.13 |
| -----                     | -----         | 87898-3265       | -----         | -----                   | -----                | 32       | ----          | 5            | 81.28     | 78.74 | 11.94 | 8.13 |
| -----                     | -----         | 87898-3266       | -----         | -----                   | -----                | 32       | ----          | 6            | 81.28     | 78.74 | 11.94 | 8.13 |
|                           |               |                  |               |                         |                      |          |               |              |           |       |       |      |
|                           |               |                  |               |                         |                      |          |               |              |           |       |       |      |
| -----                     | -----         | 87898-3361       | -----         | -----                   | -----                | 33       | ----          | 1            | 83.82     | 81.28 | 11.94 | 8.13 |
| -----                     | -----         | 87898-3362       | -----         | -----                   | -----                | 33       | ----          | 2            | 83.82     | 81.28 | 11.94 | 8.13 |
| -----                     | -----         | 87898-3364       | -----         | -----                   | -----                | 33       | ----          | 4            | 83.82     | 81.28 | 11.94 | 8.13 |
| -----                     | -----         | 87898-3365       | -----         | -----                   | -----                | 33       | ----          | 5            | 83.82     | 81.28 | 11.94 | 8.13 |
| -----                     | -----         | 87898-3366       | -----         | -----                   | -----                | 33       | ----          | 6            | 83.82     | 81.28 | 11.94 | 8.13 |

|   |  |       |  |                                      |  |  |  |   |  |  |  |
|---|--|-------|--|--------------------------------------|--|--|--|---|--|--|--|
| THIS DRAWING CONTAINS INFORMATION THAT IS PROPRIETARY TO MOLEX ELECTRONIC TECHNOLOGIES, LLC AND SHOULD NOT BE USED WITHOUT WRITTEN PERMISSION |  |       |  |                                      |  |  |  |   |  |  |  |
| DIMENSION UNITS   |  | SCALE |  | CURRENT REV DESC: SH_04 & 05 UPDATED |  |  |  | <br>CUSTOM HEADER<br>2.54MM PITCH SINGLE ROW SINGLE WAFER SMT<br>HEADER  |  |  |  |
| mm  |  | NTS   |  | EC NO: 177265                        |  |  |  |   |  |  |  |
| GENERAL TOLERANCES (UNLESS SPECIFIED)   |  |       |  | DRWN: RLALSANGI 2018/05/16           |  |  |  | PRODUCT CUSTOMER DRAWING<br>DOCUMENT NUMBER: SD-87898-003   DOC TYPE: PSD   DOC PART: 001   REVISION: C   |  |  |  |
|   |  |       |  | CHK'D: MBELLE 2018/05/25             |  |  |  |   |  |  |  |
|   |  |       |  | APPR: ISHWARG 2018/06/13             |  |  |  | INITIAL REVISION:<br>DRWN: SKLIM01 2005/10/26<br>APPR: PTLIM 2005/11/07   |  |  |  |
| 4 PLACES ±  |  |       |  |                                      |  |  |  |   |  |  |  |
| 3 PLACES ±  |  |       |  |                                      |  |  |  | DRAFT WHERE APPLICABLE MUST REMAIN WITHIN DIMENSIONS  |  |  |  |
| 2 PLACES ± 0.2  |  |       |  |                                      |  |  |  |   |  |  |  |
| 1 PLACE ±   |  |       |  |                                      |  |  |  | THIRD ANGLE PROJECTION<br> DRAWING: A3-SIZE   SERIES: 87898   MATERIAL NUMBER: SEE TABLE   CUSTOMER: GENERAL MARKET   SHEET NUMBER: 14 OF 17 |  |  |  |
| 0 PLACES ±  |  |       |  |                                      |  |  |  |   |  |  |  |
| ANGULAR TOL ± 3.0°  |  |       |  |                                      |  |  |  |   |  |  |  |

| PACKAGING OPTION PART NO. |               |                  |               |                         |                      | CKT SIZE | VOID POSITION | PLATING TYPE | DIMENSION |       |       |      |
|---------------------------|---------------|------------------|---------------|-------------------------|----------------------|----------|---------------|--------------|-----------|-------|-------|------|
| TRAY WITHOUT CAP          | TRAY WITH CAP | TUBE WITHOUT CAP | TUBE WITH CAP | TAPE & REEL WITHOUT CAP | TAPE & REEL WITH CAP |          |               |              | A         | B     | F     | M    |
| -----                     | -----         | 87898-3461       | -----         | -----                   | -----                | 34       | ----          | 1            | 86.36     | 83.82 | 11.94 | 8.13 |
| -----                     | -----         | 87898-3462       | -----         | -----                   | -----                | 34       | ----          | 2            | 86.36     | 83.82 | 11.94 | 8.13 |
| -----                     | -----         | 87898-3464       | -----         | -----                   | -----                | 34       | ----          | 4            | 86.36     | 83.82 | 11.94 | 8.13 |
| -----                     | -----         | 87898-3465       | -----         | -----                   | -----                | 34       | ----          | 5            | 86.36     | 83.82 | 11.94 | 8.13 |
| -----                     | -----         | 87898-3466       | -----         | -----                   | -----                | 34       | ----          | 6            | 86.36     | 83.82 | 11.94 | 8.13 |
|                           |               |                  |               |                         |                      |          |               |              |           |       |       |      |
|                           |               |                  |               |                         |                      |          |               |              |           |       |       |      |
| -----                     | -----         | 87898-3561       | -----         | -----                   | -----                | 35       | ----          | 1            | 88.90     | 86.36 | 11.94 | 8.13 |
| -----                     | -----         | 87898-3562       | -----         | -----                   | -----                | 35       | ----          | 2            | 88.90     | 86.36 | 11.94 | 8.13 |
| -----                     | -----         | 87898-3564       | -----         | -----                   | -----                | 35       | ----          | 4            | 88.90     | 86.36 | 11.94 | 8.13 |
| -----                     | -----         | 87898-3565       | -----         | -----                   | -----                | 35       | ----          | 5            | 88.90     | 86.36 | 11.94 | 8.13 |
| -----                     | -----         | 87898-3566       | -----         | -----                   | -----                | 35       | ----          | 6            | 88.90     | 86.36 | 11.94 | 8.13 |
|                           |               |                  |               |                         |                      |          |               |              |           |       |       |      |
|                           |               |                  |               |                         |                      |          |               |              |           |       |       |      |
| -----                     | -----         | 87898-3661       | -----         | -----                   | -----                | 36       | ----          | 1            | 91.44     | 88.90 | 11.94 | 8.13 |
| -----                     | -----         | 87898-3662       | -----         | -----                   | -----                | 36       | ----          | 2            | 91.44     | 88.90 | 11.94 | 8.13 |
| -----                     | -----         | 87898-3664       | -----         | -----                   | -----                | 36       | ----          | 4            | 91.44     | 88.90 | 11.94 | 8.13 |
| -----                     | -----         | 87898-3665       | -----         | -----                   | -----                | 36       | ----          | 5            | 91.44     | 88.90 | 11.94 | 8.13 |
| -----                     | -----         | 87898-3666       | -----         | -----                   | -----                | 36       | ----          | 6            | 91.44     | 88.90 | 11.94 | 8.13 |

|   |  |       |  |  |  |                        |  |  |  |   |  |
|---|--|-------|--|--|--|------------------------|--|--|--|---|--|
| THIS DRAWING CONTAINS INFORMATION THAT IS PROPRIETARY TO MOLEX ELECTRONIC TECHNOLOGIES, LLC AND SHOULD NOT BE USED WITHOUT WRITTEN PERMISSION |  |       |  |  |  |                        |  |  |  |   |  |
| DIMENSION UNITS   |  | SCALE |  | CURRENT REV DESC: SH_04 & 05 UPDATED                 |  |                        |  |  |  |  |  |
| mm  |  | NTS   |  | EC NO: 177265  |  |                        |  |  |  |   |  |
| GENERAL TOLERANCES (UNLESS SPECIFIED)   |  |       |  | DRWN: RLALSANGI                                      |  | 2018/05/16             |  | CUSTOM HEADER<br>2.54MM PITCH SINGLE ROW SINGLE WAFER SMT HEADER |  |   |  |
|   |  |       |  | CHK'D: MBELLE  |  | 2018/05/25             |  |  |  |   |  |
|   |  |       |  | APPR: ISHWARG  |  | 2018/06/13             |  | PRODUCT CUSTOMER DRAWING   |  |   |  |
|   |  |       |  | INITIAL REVISION:                                    |  |                        |  | DOCUMENT NUMBER  |  | DOC TYPE  |  |
|   |  |       |  | DRWN: SKLIM01  |  | 2005/10/26             |  | SD-87898-003   |  | PSD   |  |
|   |  |       |  | APPR: PTLIM  |  | 2005/11/07             |  | 001  |  | C   |  |
| ANGULAR TOL ± 3.0°  |  |       |  | DRAFT WHERE APPLICABLE MUST REMAIN WITHIN DIMENSIONS |  | THIRD ANGLE PROJECTION |  | DRAWING  |  | SHEET NUMBER  |  |
|   |  |       |  |  |  | A3-SIZE                |  | 87898  |  | 15 OF 17  |  |

| PACKAGING OPTION PART NO. |               |                  |               |                         |                      | CKT SIZE | VOID POSITION | PLATING TYPE | DIMENSION |       |       |      |
|---------------------------|---------------|------------------|---------------|-------------------------|----------------------|----------|---------------|--------------|-----------|-------|-------|------|
| TRAY WITHOUT CAP          | TRAY WITH CAP | TUBE WITHOUT CAP | TUBE WITH CAP | TAPE & REEL WITHOUT CAP | TAPE & REEL WITH CAP |          |               |              | A         | B     | F     | M    |
| -----                     | -----         | 87898-3761       | -----         | -----                   | -----                | 37       | ----          | 1            | 93.98     | 91.44 | 11.94 | 8.13 |
| -----                     | -----         | 87898-3762       | -----         | -----                   | -----                | 37       | ----          | 2            | 93.98     | 91.44 | 11.94 | 8.13 |
| -----                     | -----         | 87898-3764       | -----         | -----                   | -----                | 37       | ----          | 4            | 93.98     | 91.44 | 11.94 | 8.13 |
| -----                     | -----         | 87898-3765       | -----         | -----                   | -----                | 37       | ----          | 5            | 93.98     | 91.44 | 11.94 | 8.13 |
| -----                     | -----         | 87898-3766       | -----         | -----                   | -----                | 37       | ----          | 6            | 93.98     | 91.44 | 11.94 | 8.13 |
|                           |               |                  |               |                         |                      |          |               |              |           |       |       |      |
|                           |               |                  |               |                         |                      |          |               |              |           |       |       |      |
| -----                     | -----         | 87898-3861       | -----         | -----                   | -----                | 38       | ----          | 1            | 96.52     | 93.98 | 11.94 | 8.13 |
| -----                     | -----         | 87898-3862       | -----         | -----                   | -----                | 38       | ----          | 2            | 96.52     | 93.98 | 11.94 | 8.13 |
| -----                     | -----         | 87898-3864       | -----         | -----                   | -----                | 38       | ----          | 4            | 96.52     | 93.98 | 11.94 | 8.13 |
| -----                     | -----         | 87898-3865       | -----         | -----                   | -----                | 38       | ----          | 5            | 96.52     | 93.98 | 11.94 | 8.13 |
| -----                     | -----         | 87898-3866       | -----         | -----                   | -----                | 38       | ----          | 6            | 96.52     | 93.98 | 11.94 | 8.13 |
|                           |               |                  |               |                         |                      |          |               |              |           |       |       |      |
|                           |               |                  |               |                         |                      |          |               |              |           |       |       |      |
| -----                     | -----         | 87898-3961       | -----         | -----                   | -----                | 39       | ----          | 1            | 99.06     | 96.52 | 11.94 | 8.13 |
| -----                     | -----         | 87898-3962       | -----         | -----                   | -----                | 39       | ----          | 2            | 99.06     | 96.52 | 11.94 | 8.13 |
| -----                     | -----         | 87898-3964       | -----         | -----                   | -----                | 39       | ----          | 4            | 99.06     | 96.52 | 11.94 | 8.13 |
| -----                     | -----         | 87898-3965       | -----         | -----                   | -----                | 39       | ----          | 5            | 99.06     | 96.52 | 11.94 | 8.13 |
| -----                     | -----         | 87898-3966       | -----         | -----                   | -----                | 39       | ----          | 6            | 99.06     | 96.52 | 11.94 | 8.13 |

|   |  |       |  |   |  |         |  |   |  |                 |  |                |  |
|---|--|-------|--|---|--|---------|--|---|--|-----------------|--|----------------|--|
| THIS DRAWING CONTAINS INFORMATION THAT IS PROPRIETARY TO MOLEX ELECTRONIC TECHNOLOGIES, LLC AND SHOULD NOT BE USED WITHOUT WRITTEN PERMISSION |  |       |  |   |  |         |  |   |  |                 |  |                |  |
| DIMENSION UNITS   |  | SCALE |  | CURRENT REV DESC: SH_04 & 05 UPDATED  |  |         |  |  |  |                 |  |                |  |
| mm  |  | NTS   |  | EC NO: 177265   |  |         |  |   |  |                 |  |                |  |
| GENERAL TOLERANCES (UNLESS SPECIFIED)   |  |       |  | DRWN: RLALSANGI 2018/05/16  |  |         |  | CUSTOM HEADER<br>2.54MM PITCH SINGLE ROW SINGLE WAFER SMT HEADER                      |  |                 |  |                |  |
|   |  |       |  | CHK'D: MBELLE 2018/05/25  |  |         |  |   |  |                 |  |                |  |
|   |  |       |  | APPR: ISHWARG 2018/06/13  |  |         |  | PRODUCT CUSTOMER DRAWING  |  |                 |  |                |  |
|   |  |       |  | INITIAL REVISION:   |  |         |  |   |  |                 |  |                |  |
| 4 PLACES ±  |  |       |  | DRWN: SKLIM01 2005/10/26  |  |         |  | DOCUMENT NUMBER   |  | DOC TYPE        |  | DOC PART       |  |
| 3 PLACES ±  |  |       |  | APPR: PTLIM 2005/11/07  |  |         |  | SD-87898-003  |  | PSD             |  | 001            |  |
| 2 PLACES ± 0.2  |  |       |  |   |  |         |  |   |  |                 |  |                |  |
| 1 PLACE ±   |  |       |  |   |  |         |  |   |  |                 |  |                |  |
| 0 PLACES ±  |  |       |  |   |  |         |  |   |  |                 |  |                |  |
| ANGULAR TOL ± 3.0°  |  |       |  |   |  |         |  |   |  |                 |  |                |  |
| DRAFT WHERE APPLICABLE MUST REMAIN WITHIN DIMENSIONS  |  |       |  | THIRD ANGLE PROJECTION  |  | DRAWING |  | SERIES  |  | MATERIAL NUMBER |  | CUSTOMER       |  |
|   |  |       |  |  |  | A3-SIZE |  | 87898   |  | SEE TABLE       |  | GENERAL MARKET |  |
|   |  |       |  |   |  |         |  |   |  |                 |  | SHEET NUMBER   |  |
|   |  |       |  |   |  |         |  |   |  |                 |  | 16 OF 17       |  |

| PACKAGING OPTION PART NO. |               |                  |               |                         |                      | CKT SIZE | VOID POSITION | PLATING TYPE | DIMENSION |       |       |      |
|---------------------------|---------------|------------------|---------------|-------------------------|----------------------|----------|---------------|--------------|-----------|-------|-------|------|
| TRAY WITHOUT CAP          | TRAY WITH CAP | TUBE WITHOUT CAP | TUBE WITH CAP | TAPE & REEL WITHOUT CAP | TAPE & REEL WITH CAP |          |               |              | A         | B     | F     | M    |
| -----                     | -----         | 87898-4061       | -----         | -----                   | -----                | 40       | ----          | 1            | 101.6     | 99.06 | 11.94 | 8.13 |
| -----                     | -----         | 87898-4062       | -----         | -----                   | -----                | 40       | ----          | 2            | 101.6     | 99.06 | 11.94 | 8.13 |
| -----                     | -----         | 87898-4064       | -----         | -----                   | -----                | 40       | ----          | 4            | 101.6     | 99.06 | 11.94 | 8.13 |
| -----                     | -----         | 87898-4065       | -----         | -----                   | -----                | 40       | ----          | 5            | 101.6     | 99.06 | 11.94 | 8.13 |
| -----                     | -----         | 87898-4066       | -----         | -----                   | -----                | 40       | ----          | 6            | 101.6     | 99.06 | 11.94 | 8.13 |

E

E

D

D

C

C

B

B

A

A

|   |  |        |  |                                      |  |            |  |  |  |              |  |
|---|--|--------|--|--------------------------------------|--|------------|--|--|--|--------------|--|
| THIS DRAWING CONTAINS INFORMATION THAT IS PROPRIETARY TO MOLEX ELECTRONIC TECHNOLOGIES, LLC AND SHOULD NOT BE USED WITHOUT WRITTEN PERMISSION |  |        |  |                                      |  |            |  |  |  |              |  |
| DIMENSION UNITS   |  | SCALE  |  | CURRENT REV DESC: SH_04 & 05 UPDATED |  |            |  |  |  | <b>molex</b> |  |
| mm  |  | NTS    |  |                                      |  |            |  |  |  |              |  |
| GENERAL TOLERANCES (UNLESS SPECIFIED)   |  |        |  | EC NO: 177265                        |  | 2018/05/16 |  | CUSTOM HEADER<br>2.54MM PITCH SINGLE ROW SINGLE WAFER SMT HEADER |  |              |  |
| 4 PLACES  |  | ±      |  | DRWN: RLALSANGI                      |  | 2018/05/25 |  |  |  |              |  |
| 3 PLACES  |  | ±      |  | CHK'D: MBELLE                        |  | 2018/06/13 |  | PRODUCT CUSTOMER DRAWING   |  |              |  |
| 2 PLACES  |  | ± 0.2  |  | APPR: ISHWARG                        |  |            |  |  |  |              |  |
| 1 PLACE   |  | ±      |  | INITIAL REVISION:                    |  |            |  | DOCUMENT NUMBER  |  | DOC TYPE     |  |
| 0 PLACES  |  | ±      |  | DRWN: SKLIM01                        |  | 2005/10/26 |  | SD-87898-003   |  | PSD          |  |
| ANGULAR TOL   |  | ± 3.0° |  | APPR: PTLIM                          |  | 2005/11/07 |  | 001  |  | C            |  |
| DRAFT WHERE APPLICABLE MUST REMAIN WITHIN DIMENSIONS  |  |        |  | THIRD ANGLE PROJECTION               |  | DRAWING    |  | SERIES   |  | SHEET NUMBER |  |
|   |  |        |  |                                      |  | A3-SIZE    |  | 87898  |  | 17 OF 17     |  |

|                 |    |              |            |          |
|-----------------|----|--------------|------------|----------|
| DOCUMENT STATUS | P1 | RELEASE DATE | 2018/06/13 | 11:06:55 |
|-----------------|----|--------------|------------|----------|